

Guangzhou iMagnetics Electronics Co., LTD
广州爱磁电子有限公司

2017 Product Catalogue
2017 年产品目录



Index/索引	Page/页
Switch Mode Power Transformers/开关电源高频变压器	
THT Power Transformers/插件变压器	
1. EE Series — Horizontal (EEH8.3, EEH10, EEH13, EEH16, EEH19, EEH25, EEH30, EEH40, EEH55, EEH65, EEH70)	2~5
2. EE Series — Vertical (EE8.3, EE10, EE13, EE16, EE19, EE25, EE30, EE40, EE42)	6~8
3. ER Series — Vertical (ER28-1, ER28-2, ER28L, ER35, ER35L, ER39, ER42, ER49, ER53)	9~11
4. ER Series — Horizontal (ERH28, ERH28-1, ERH28-2, ERH28L, ERH34, ERH35, ERH40, ERH42, ERH42-1)	12~14
5. ETD Series (ETD29, ETD34-1, ETD34-2, ETD34-3, ETD39, ETD44-1, ETD44-2, ETD49, ETD54, ETD59)	15~20
6. EI Series — Vertical (EI13, EI16, EI19, EI22, EI25, EI28, EI33-1, EI33-2, EI33-3, EI33-4, EI35, EI40-1, EI40-2)	22~23
7. PQ Series (PQ2016, PQ2020, PQ2620, PQ2625, PQ3220, PQ3225, PQ3230, PQ3525, PQ3530, PQ3535, PQ4040-1, PQ4040-2, PQ5050)	24~25
8. EFD Series (EFD15, EFD20-1, EFD20-2, EFD25, EFD30)	26~27
9. EP Series (EP7, EP10, EP13, EP17)	28~29
SMT Power Transformers/贴片变压器	
1. EFD Series without Cover (SEFD15, SEFD20, SEFD25)	30~32
2. EFD Series with Cover (SEFD15, SEFD20, SEFD25)	33~34
3. EP Series (SEP7, SEP10, SEP13)	35~37
4. ER Series (SER7.5, SER9.5, SER11.5, SER14.5)	38~39
Power Inductors/电感	
THT Power Inductors	
1. Unshielded Drum Core Series	40~42
2. Toroidal Series	43~46
Common Mode Chokes/共模电感	
THT Common Mode Chokes/插件共模电感	
1. ET Series — Horizontal (ET24H, ET28H, ET35H)	47~48
2. ET Series — Vertical (ET24, ET28, ET35)	49~50
3. Toroidal Series (TCC, TC12, TC16, TC18, TC20, TC25, TC38)	51~53
4. UT Series (UT20)	54~55
5. UU Series (UU9.8, UU10.5, UU16)	56~57
SMT Common Mode Chokes/贴片共模电感	
1. Toroidal Series	58~59
Laminated Transformers/低频变压器	
1. Toroidal Series	60~62

THT POWER TRANSFORMERS

EE Series – Vertical

Features

- High power density and high efficiency/高功率密度，高效率
- Multiple-output is available/多路输出
- Operating frequency up to 500kHz/最大工作频率 500kHz
- Power up to 10kW/最大功率 10kW
- High power series EE55, EE65, EE70/大功率系列 EE55, EE65, EE70
- Custom designs available/客户定制



Application

- Solar inverter, Server, Amplifier/太阳能逆变器，服务器，音响功放
- Network, POE, Router/网络产品，POE，路由器
- Elevator emergency power supply, /电梯应急电源
- Electric vehicle charging pile/电动汽车充电桩电源
- Medical instrument power supply/医疗仪器电源
- Variable-frequency drive/变频器
- Industrial power supply/工业电源
- High end LED power supply/高端 LED 电源
- High end charger and USB/高端 USB 充电器
- Smart home electronics/智能家用电器
- Electrical power equipment/电力设备
- Test instrument/测试仪器

Specifications

Size	Fig	A (Max.)	B (Max.)	C (Max.)	D (Nom.)	E (Nom.)	F (Nom.)	Pins (Optional)	fsw (kHz)	Power (W) ²
EEH8.3	1	10.0	10.0	7.5	2.5	6.0	Φ0.5	3+3	100	3
EEH10	2	12.0	14.0	12.0	2.5	10.5	Φ0.5	4+4	100	3-5
EEH13	3	16.0	16.0	15.0	2.54	10.2	Φ0.5	5+5	100	5-10
EEH16	2	18.0	16.0	17.0	3.0	11.0	Φ0.6	4+4	100	15-20
EEH19	4	23.0	19.0	18.0	5.0	13.2	Φ0.7	4+4	100	20-30
EEH25	5	28.0	28.0	24.0	5.0	15.1	Φ0.8	5+5	100	30-50
EEH30	6	34.0	38.0	23.0	5.0	25.0	Φ0.8	6+6	100	50-100
EEH40	7	43.0	36.0	31.0	5.0	25.8	Φ0.8	7+7	100	200-500
EEH55	8	57.0	61.0	53.0	5.0	45.0	Φ1.0	10+10	100	1000-3000
EEH65	9	69.0	67.0	61.0	5.0	45.5	Φ1.0	10+10	100	3000-5000
EEH70	10	77.0	70.0	70.0	5.0	50.0	Φ1.2	9+9	100	5000-8000

1. Operating Temperature: -40°C~+125°C(Includes temperature when the coil is heated).

2. Output power is only for reference at switching frequency 100kHz.

THT POWER TRANSFORMERS

EE Series – Vertical

Mechanical

Fig. 1

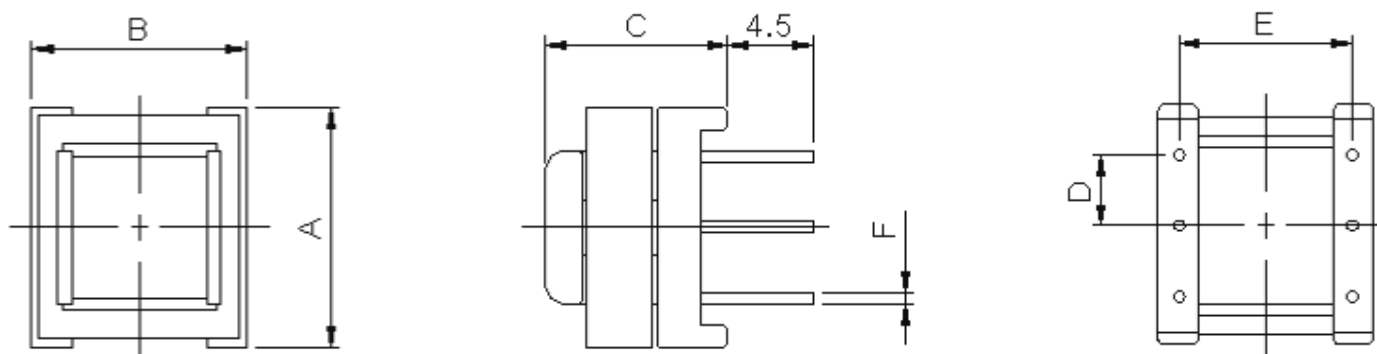


Fig. 2

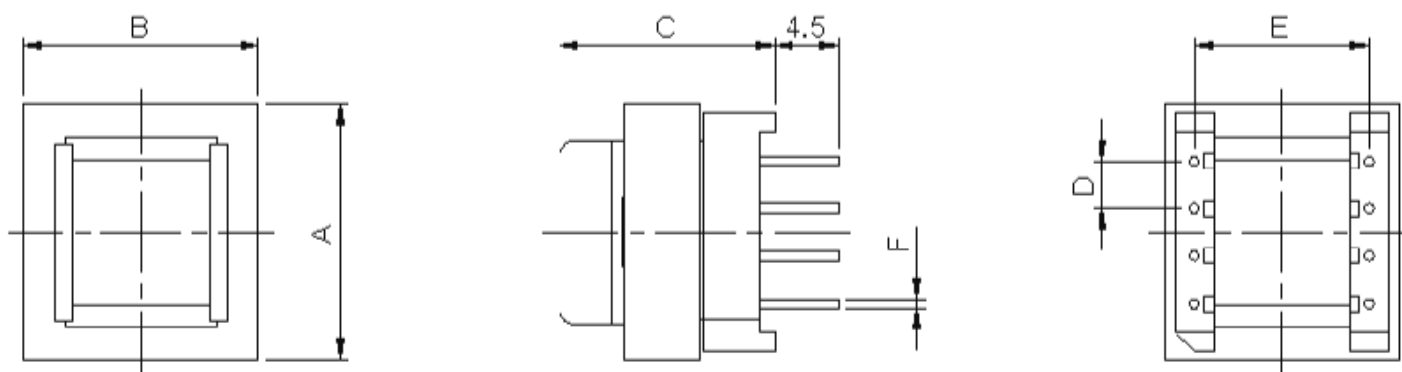


Fig. 3

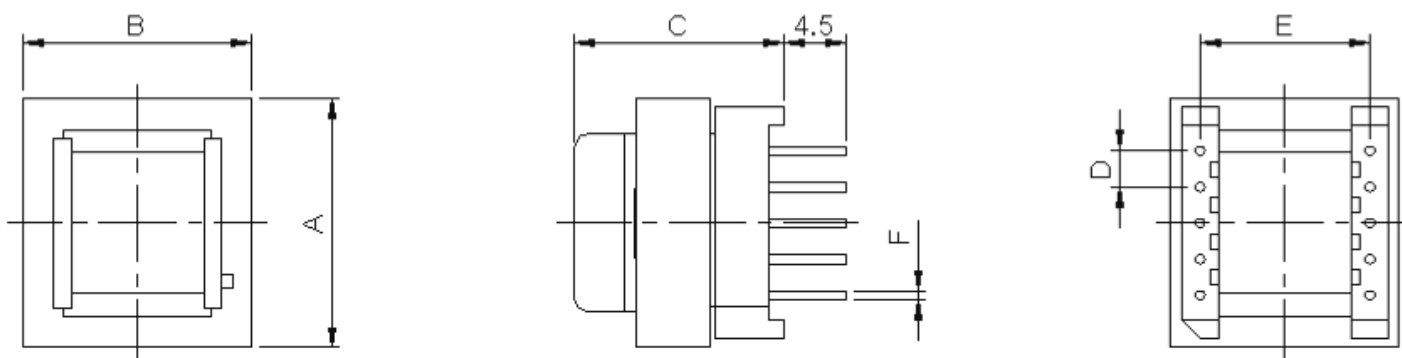
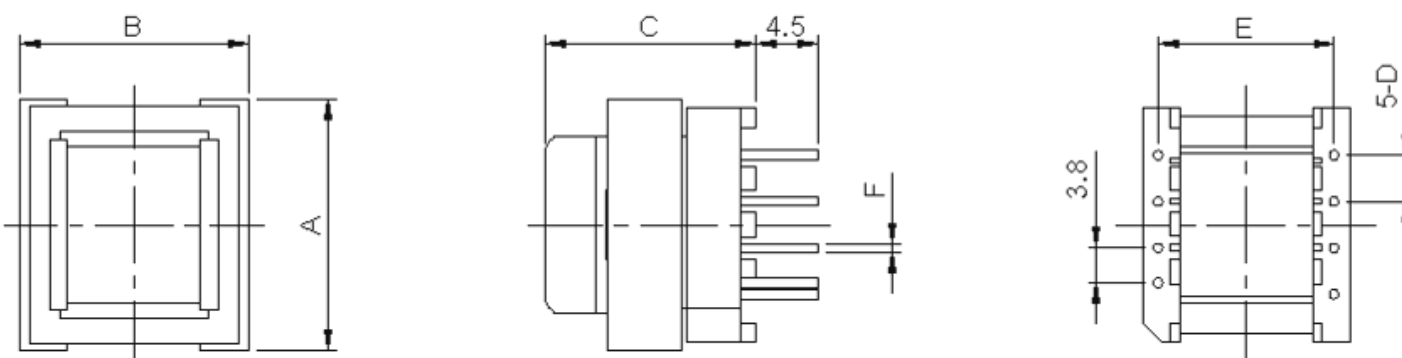


Fig. 4



THT POWER TRANSFORMERS

EE Series – Vertical

Fig. 5

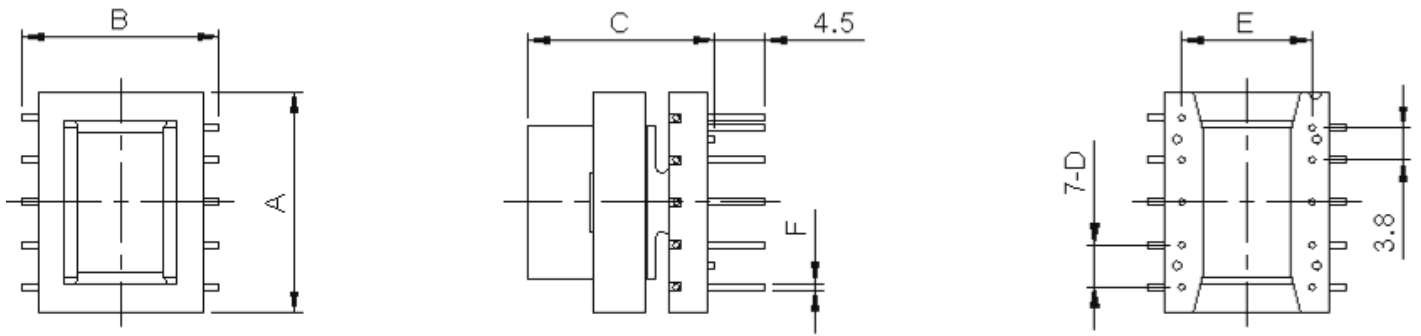


Fig. 6

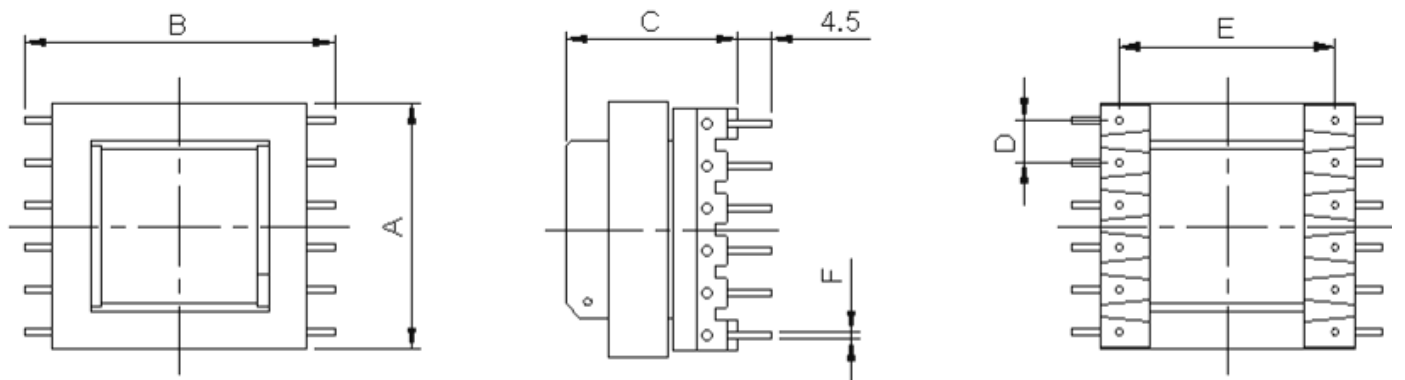


Fig. 7

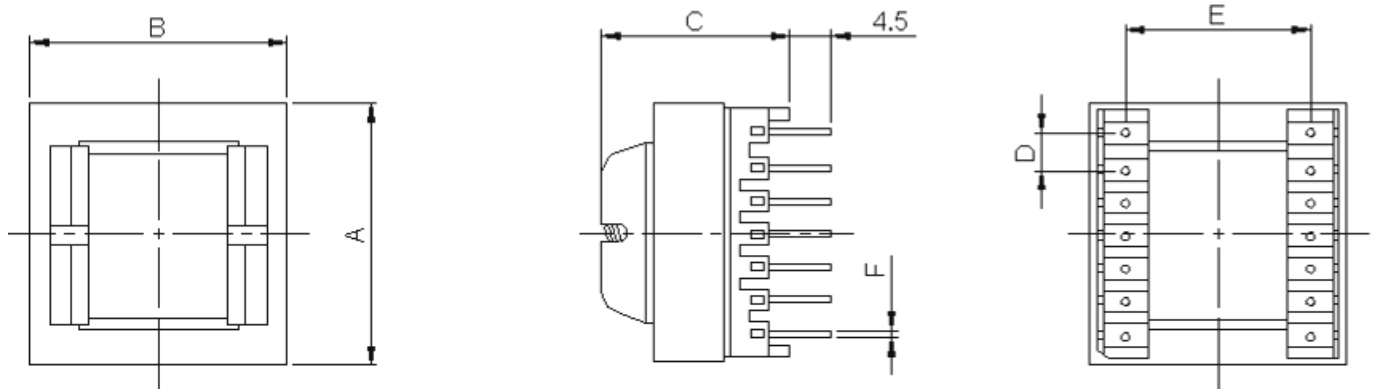
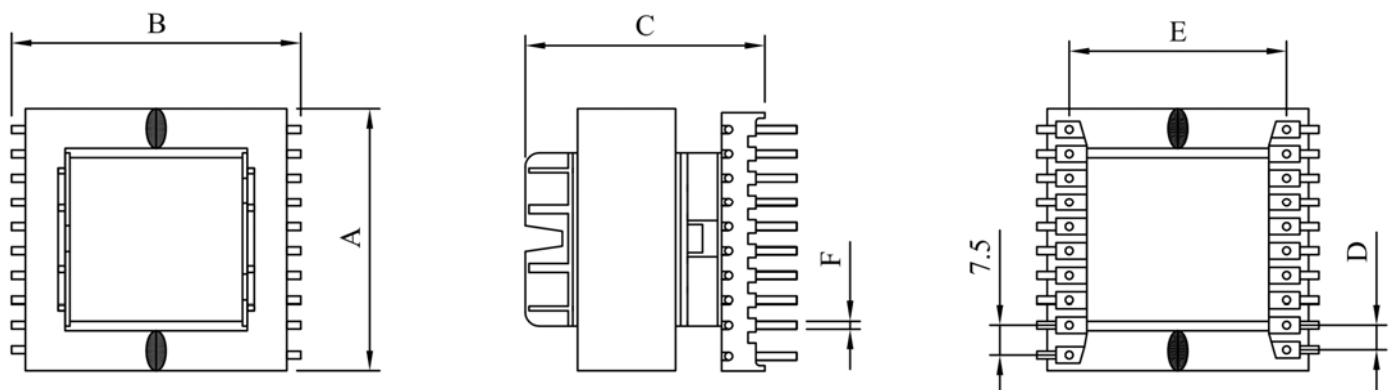


Fig. 8 EEH55



THT POWER TRANSFORMERS

EE Series – Vertical

Fig. 9 EEH65

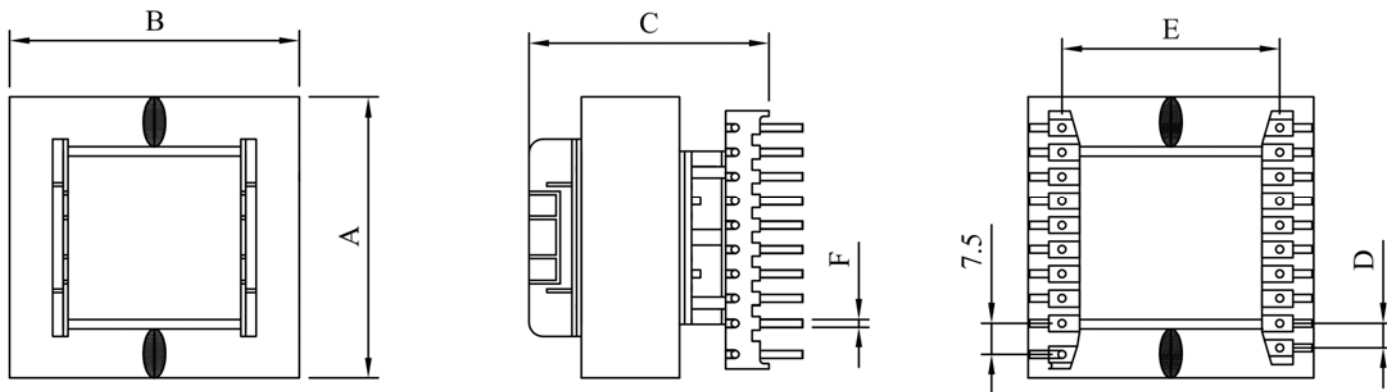
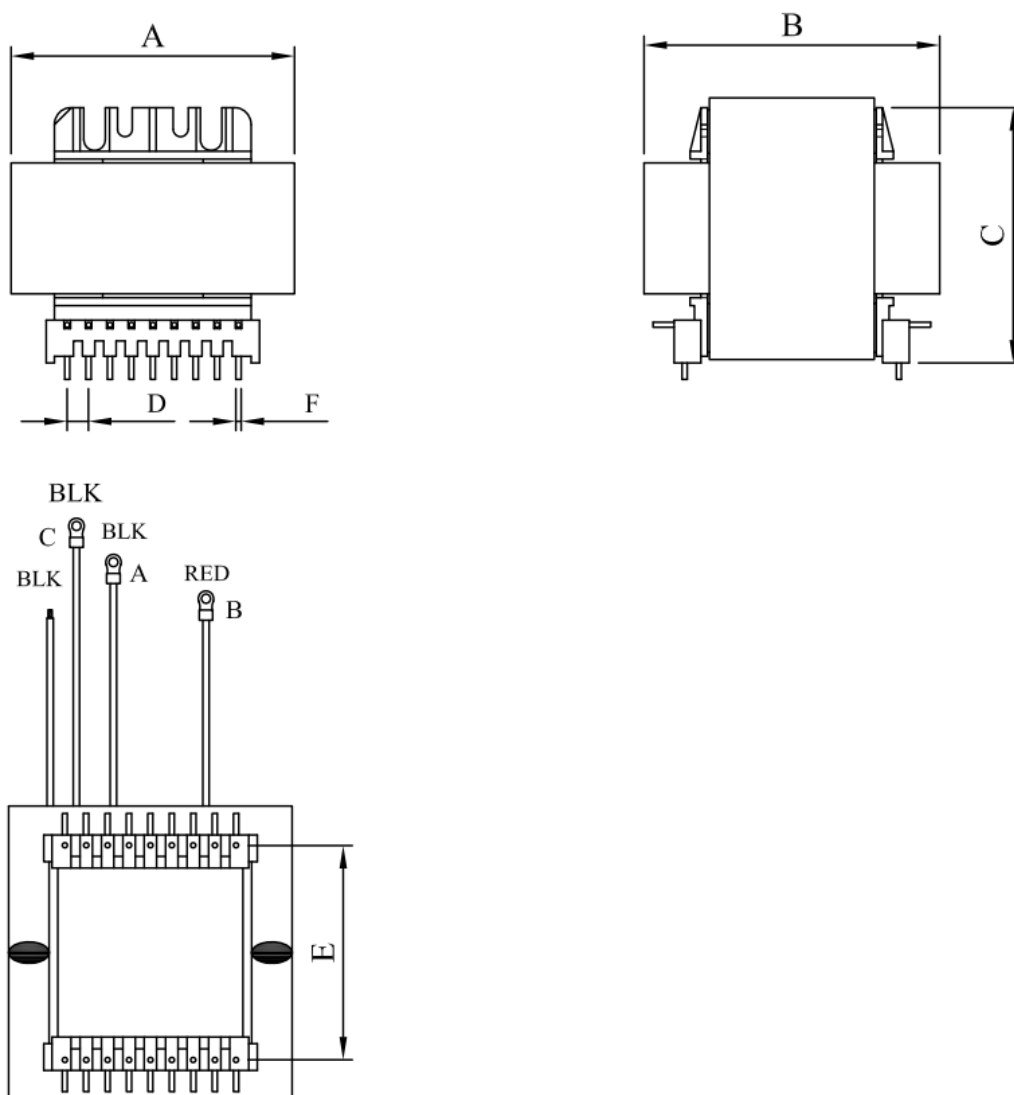


Fig. 10 EEH70



THT POWER TRANSFORMERS

EE Series – Vertical

Features

- High power density and high efficiency/高功率密度，高效率
- Multiple-output is available/多路输出
- Operating frequency up to 500kHz/最大工作频率 500kHz
- Power up to 3kW/最大功率 3kW
- Custom designs available/客户定制



Application

- Solar inverter, Server, Amplifier/太阳能逆变器，服务器，音响功放
- Network, POE, Router/网络产品，POE，路由器
- Elevator emergency power supply, /电梯应急电源
- Electric vehicle charging pile/电动汽车充电桩电源
- Medical instrument power supply/医疗仪器电源
- Variable-frequency drive/变频器
- Industrial power supply/工业电源
- High end LED power supply/高端 LED 电源
- High end charger and USB/高端 USB 充电器
- Smart home electronics/智能家用电器
- Electrical power equipment/电力设备
- Test instrument/测试仪器

Specifications

Size	Fig.	A (Max.)	B (Max.)	C (Max.)	D (Nom.)	E (Nom.)	F (Nom.)	Pins (Optional)	fsw (kHz)	Power (W) ²
EE8.3	1	10.0	10.0	10.0	2.5	6.0	Φ0.5	3+3	100	3-5
EE10	2	12.0	12.0	13.0	2.5	8.0	Φ0.5	4+4	100	5-10
EE13	3	14.0	14.0	13.0	2.5	8.5	Φ0.6	5+5	100	10-15
EE16	3	19.0	15.0	18.0	3.2	10.5	Φ0.6	5+5	100	15-20
EE19	3	24.0	18.0	19.0	3.8	12.6	Φ0.7	5+5	100	20-30
EE25	3	30.0	30.0	24.0	5.0	15.2	Φ0.8	5+5	100	30-50
EE30	4	33.0	32.0	24.0	5.0	20.0	Φ0.8	6+6	100	50-100
EE40	4	43.0	30.0	36.0	5.0	22.5	Φ0.8	6+6	100	150-300
EE42	5	47.0	36.0	51.0	5.0	27.5	Φ1.0	9+9	100	300-500

1. Operating Temperature: -40°C~+125°C(Includes temperature when the coil is heated).

2. Output power is only for reference at switching frequency 100kHz.

THT POWER TRANSFORMERS

EE Series – Vertical

Mechanical

Fig. 1

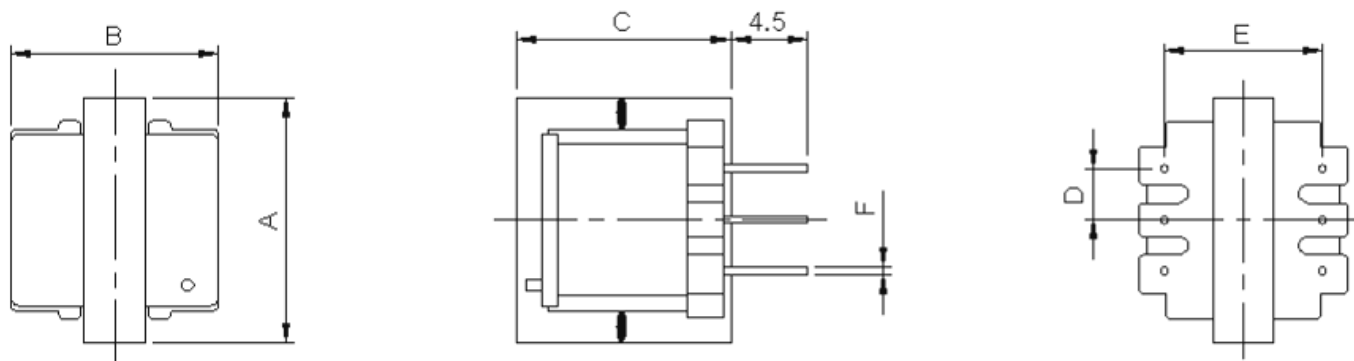


Fig. 2

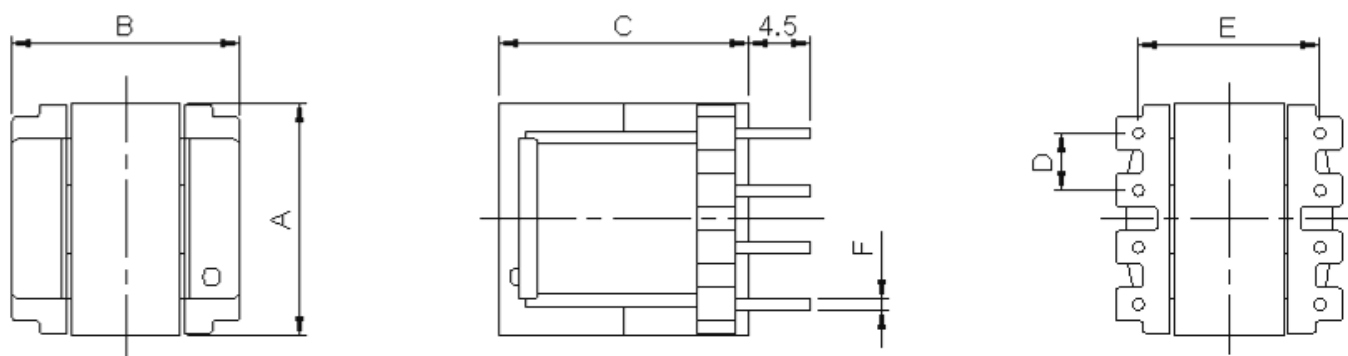


Fig. 3

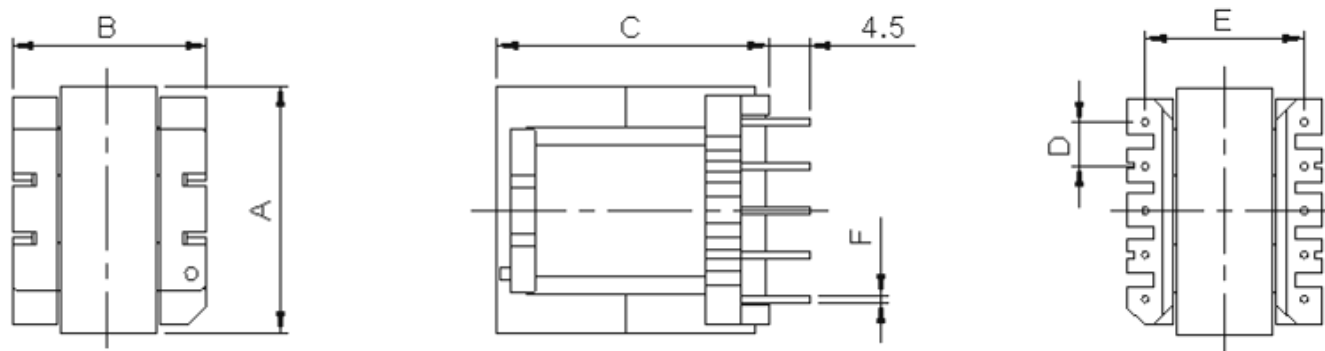
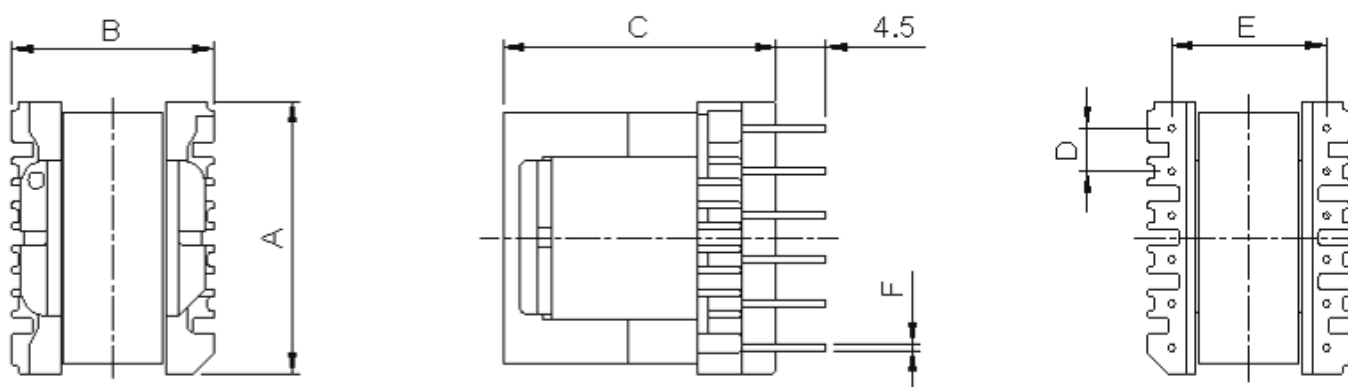


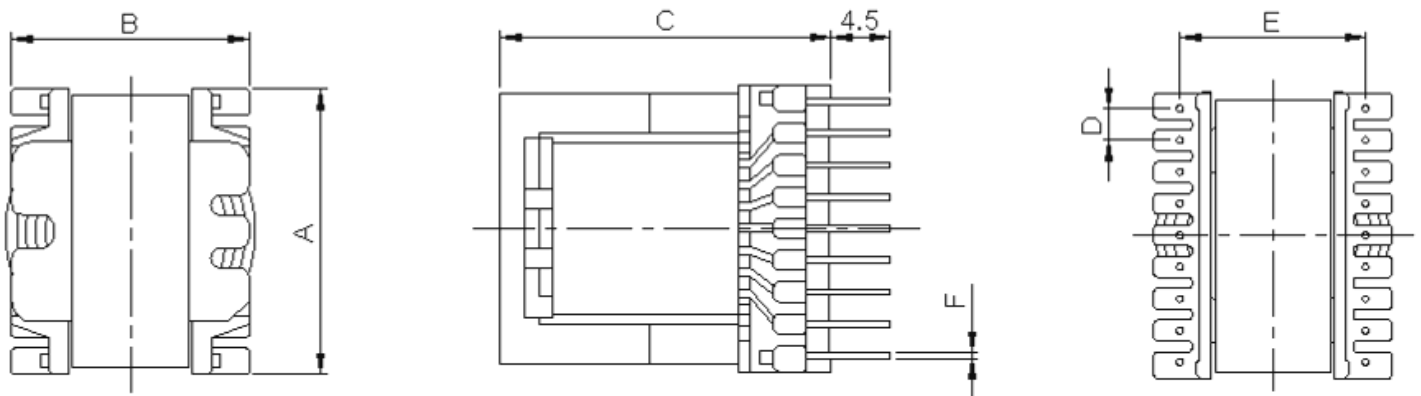
Fig. 4



THT POWER TRANSFORMERS

EE Series – Vertical

Fig. 5



THT POWER TRANSFORMERS

ER Series – Vertical

Features

- High power density and high efficiency/高功率密度，高效率
- Multiple-output is available/多路输出
- Operating frequency up to 500kHz/最大工作频率 500kHz
- Power up to 5kW/最大功率 5kW
- High power series ER49, ER53/大功率系列 ER49, ER53
- Custom designs available/客户定制



Application

- Solar inverter, Server, Amplifier/太阳能逆变器，服务器，音响功放
- Network, POE, Router/网络产品，POE，路由器
- Elevator emergency power supply, /电梯应急电源
- Medical instrument power supply/医疗仪器电源
- Variable-frequency drive/变频器
- Industrial power supply/工业电源
- High end LED power supply/高端 LED 电源
- High end charger and USB/高端 USB 充电器
- Smart home electronics/智能家用电器
- Electrical power equipment/电力设备
- Test instrument/测试仪器

Specifications

Size	Fig.	A (Max.)	B (Max.)	C (Max.)	D (Nom.)	E (Nom.)	F (Nom.)	Pins (Optional)	fsw (kHz)	Power (W) ²
ER28-1	1	29.5	25.0	22.5	5.0	17.5	Φ0.8	5+5	100	30-50
ER28-2	1	29.5	25.0	32.0	5.0	17.5	Φ0.8	5+5	100	40-60
ER28L	3	31.5	28.5	37.5	5.0	20.0	Φ0.8	6+6	100	40-80
ER35	3	36.5	30.0	38.0	5.0	22.5	Φ1.0	6+6	100	200-400
ER35L	3	36.5	30.0	45.0	5.0	22.5	Φ1.0	6+6	100	200-500
	2	36.5	30.0	45.0	5.0	22.5	Φ1.0	7+7	100	200-500
ER39	4	41.0	34.0	46.0	5.0	25.2	Φ1.0	6+6	100	400-800
	2	41.0	34.0	52.0	5.0	25.2	Φ1.0	7+7	100	400-800
ER42	5	44.0	32.0	49.5	5.0	25.0	Φ1.0	7+7	100	500-1000
ER49	6	51.5	38.5	57.5	5.0	27.5	Φ1.0	9+9	100	1000-2000
ER53	7	56.0	41.5	51.5	5.0	32.5	Φ1.0	9+9	100	3000-5000

1. Operating Temperature: -40°C~+125°C(Includes temperature when the coil is heated).

2. Output power is only for reference at switching frequency 100kHz.

THT POWER TRANSFORMERS

ER Series – Vertical

Mechanical

Fig. 1

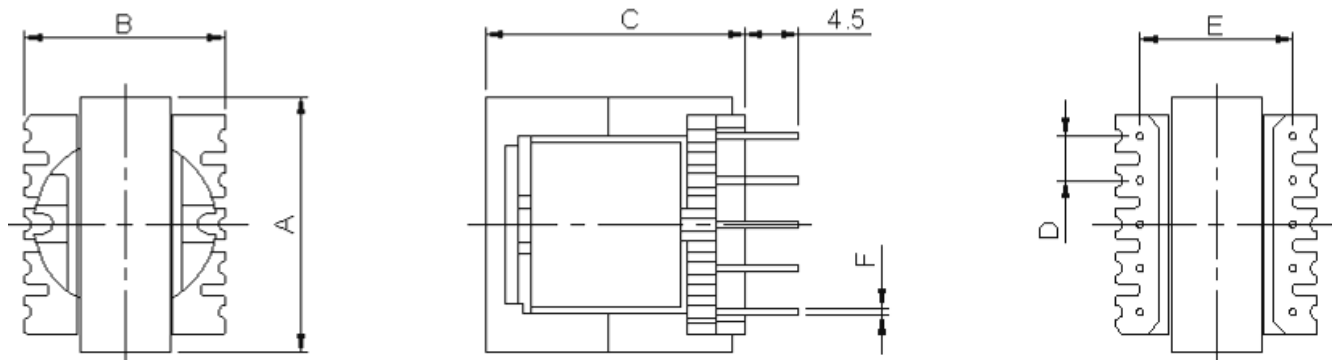


Fig. 2

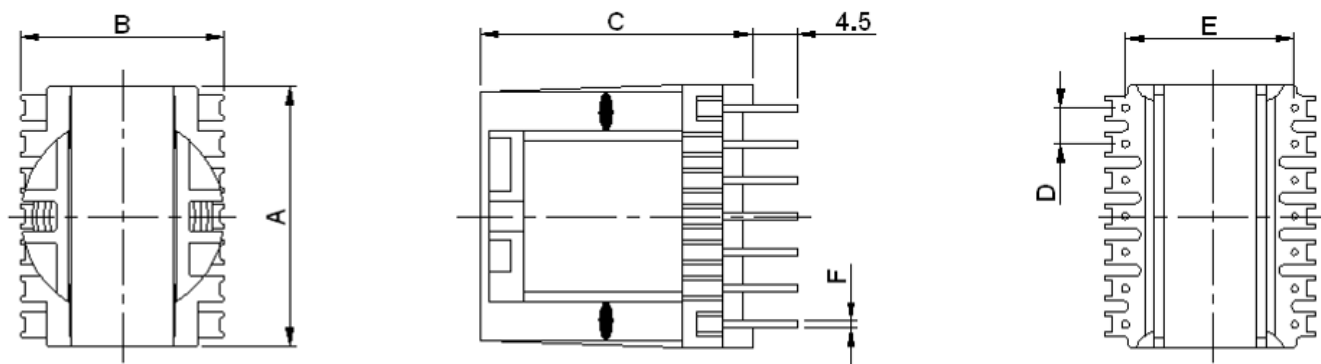


Fig. 3

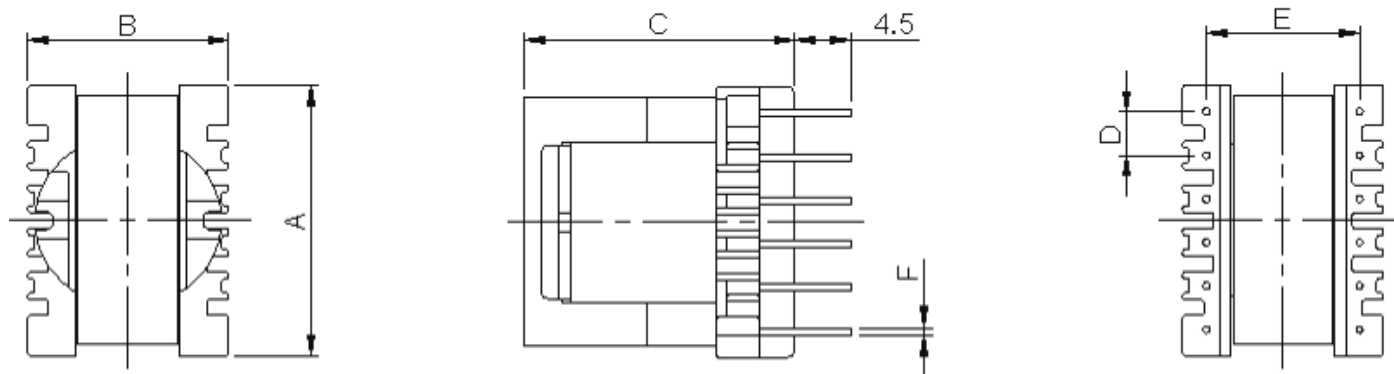
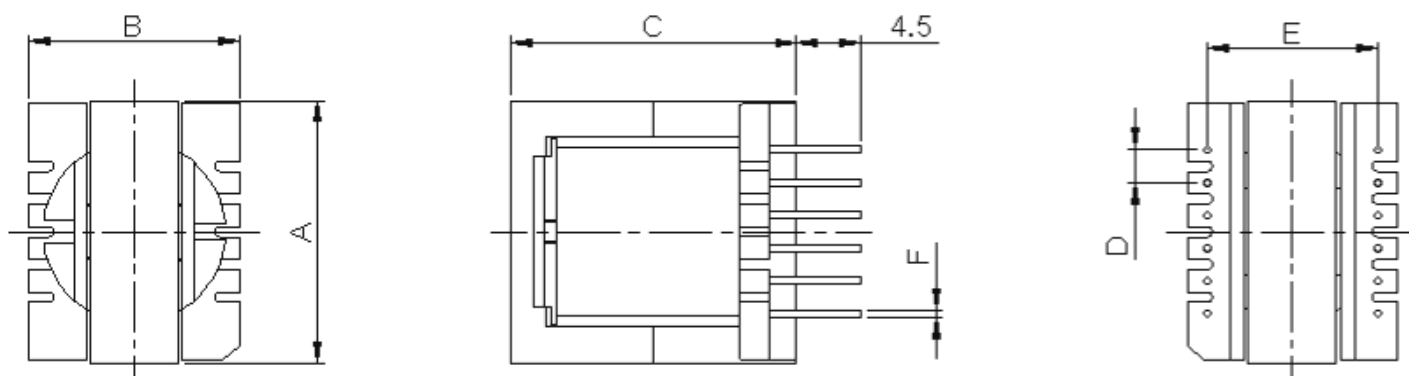


Fig. 4



THT POWER TRANSFORMERS

ER Series – Vertical

Fig. 5

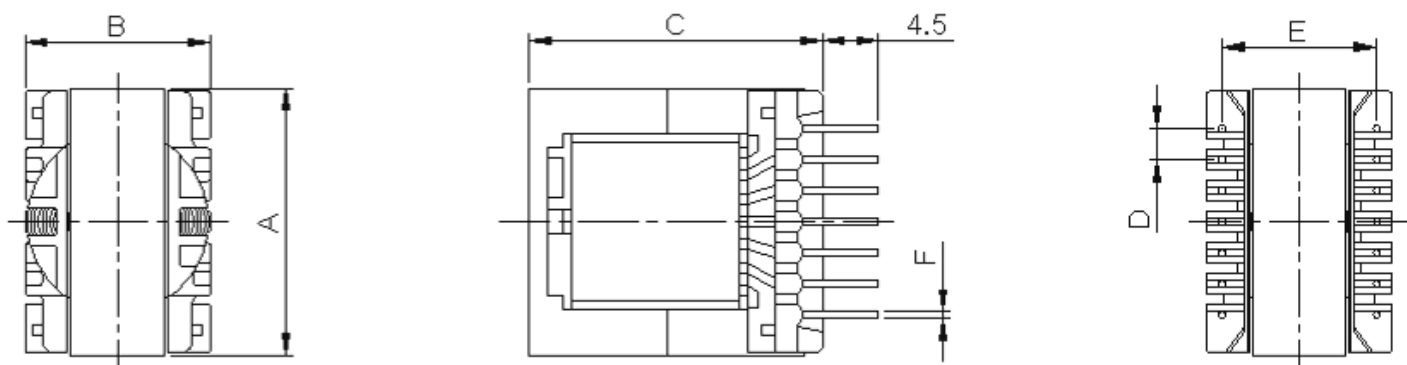


Fig. 6 ER49

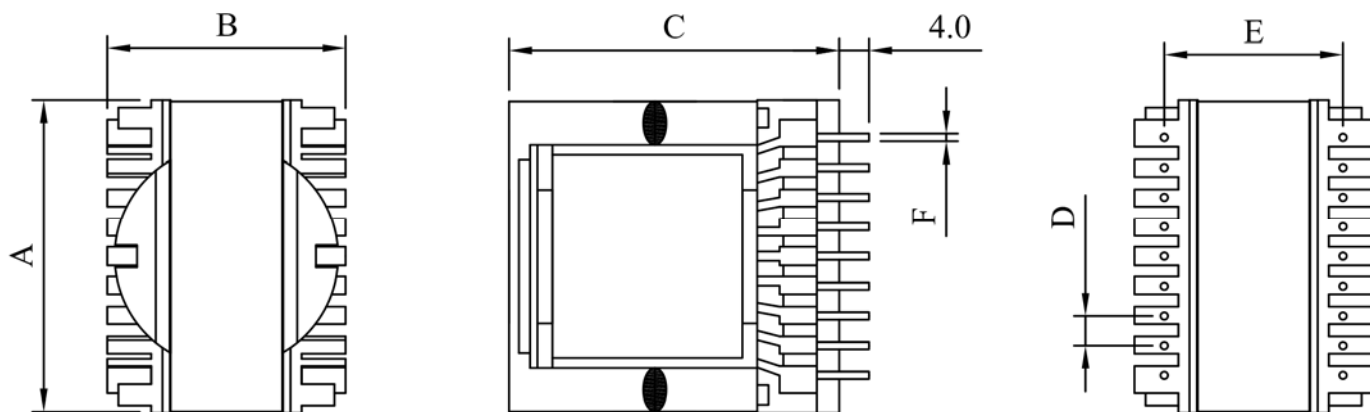
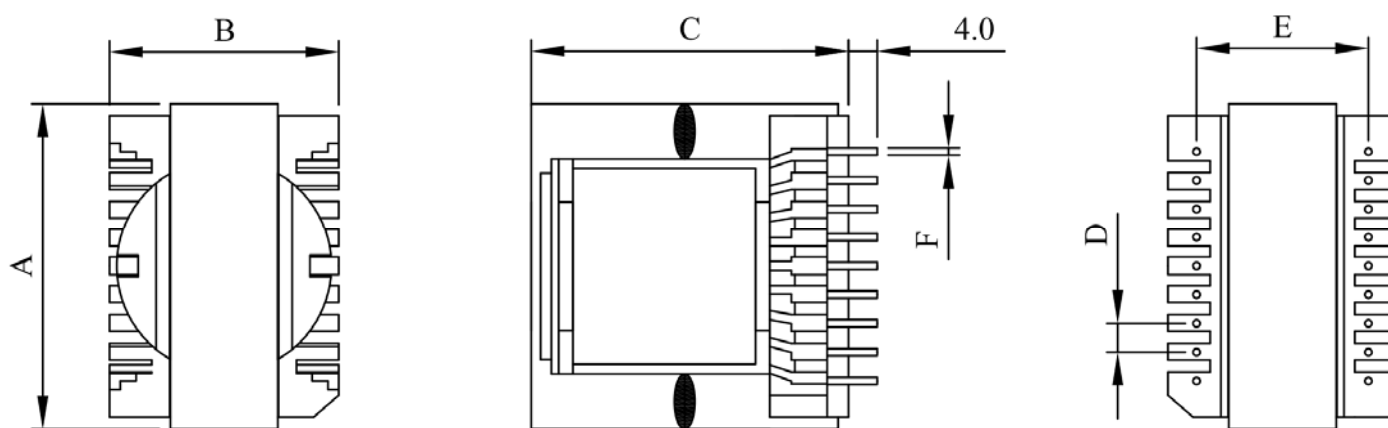


Fig. 7 ER53



THT POWER TRANSFORMERS

ER Series – Horizontal

Features

- High power density and high efficiency/高功率密度，高效率
- Multiple-output is available/多路输出
- Operating frequency up to 500kHz/最大工作频率 500kHz
- Power up to 3kW/最大功率 3kW
- Custom designs available/客户定制



Application

- Solar inverter, Server, Amplifier/太阳能逆变器，服务器，音响功放
- Network, POE, Router/网络产品，POE，路由器
- Elevator emergency power supply, /电梯应急电源
- Medical instrument power supply/医疗仪器电源
- Variable-frequency drive/变频器
- Industrial power supply/工业电源
- High end LED power supply/高端 LED 电源
- High end charger and USB/高端 USB 充电器
- Smart home electronics/智能家用电器
- Electrical power equipment/电力设备
- Test instrument/测试仪器

Specifications

Size	Fig.	A (Max.)	B (Max.)	C (Max.)	D (Nom.)	E (Nom.)	F (Nom.)	Pins (Optional)	fsw (kHz)	Power (W) ²
ERH28	1	31.0	31.0	26.0	5.0	25.0	Φ0.8	6+6	100	40-60
ERH28-1	2	34.0	36.0	25.0	4.0	26.5	Φ0.8	9+9	100	40-60
ERH28-2	3	30.0	35.0	25.0	Fig.3	Fig.3	Φ0.5	13+11	100	40-60
ERH28L	1	32.0	39.0	28.0	5.0	30.0	Φ0.8	6+6	100	40-80
ERH34	4	44.0	37.5	25.5	2.5	25.5	Φ0.8	16+16	100	80-150
ERH35	5	42.0	45.0	33.0	5.0	35.0	Φ1.0	8+8	100	200-400
ERH40	5	42.0	48.0	33.0	5.0	35.2	Φ1.0	8+8	100	400-800
ERH42	5	44.5	46.0	36.0	5.0	35.0	Φ1.0	8+8	100	800-1500
ERH42-2	6	44.0	46.0	39.0	5.0	34.5	Φ1.0	7+7	100	1000-3000

1. Operating Temperature: -40°C~+125°C(Includes temperature when the coil is heated).

2. Output power is only for reference at switching frequency 100kHz.

THT POWER TRANSFORMERS

ER Series – Horizontal

Mechanical

Fig. 1

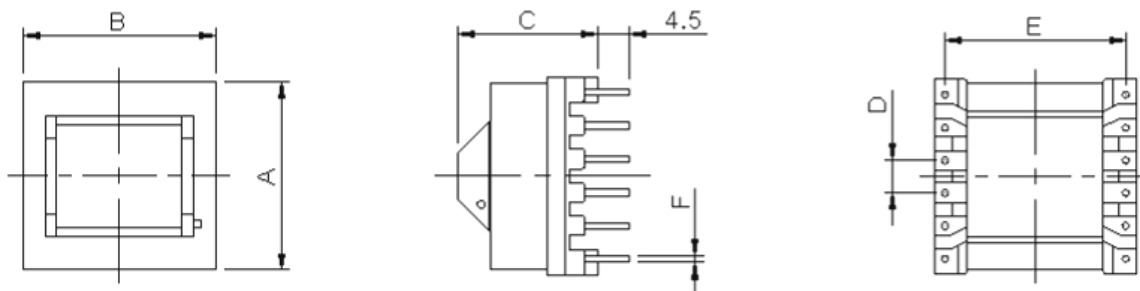


Fig. 2

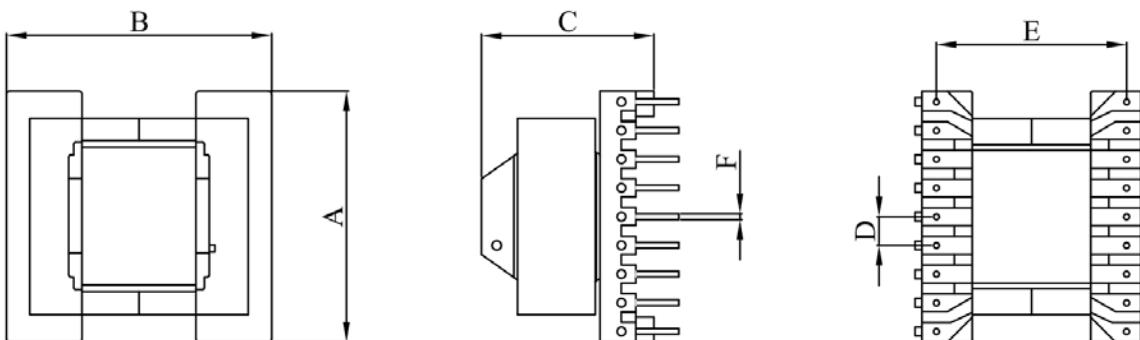


Fig. 3

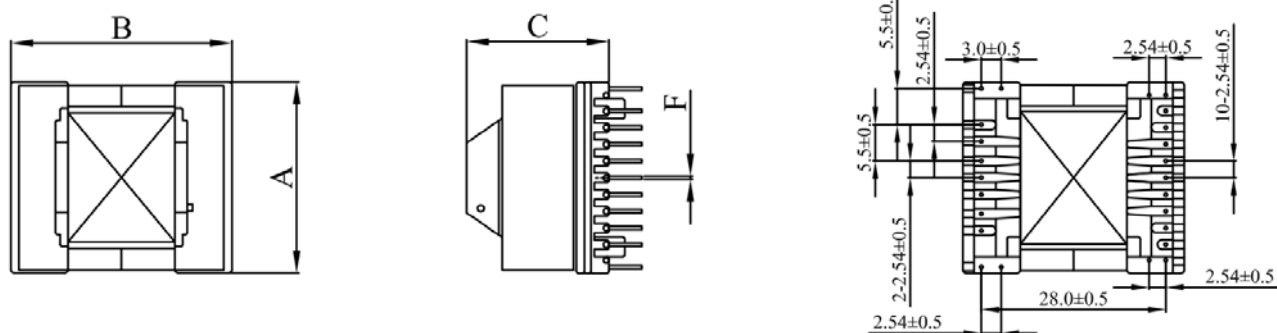
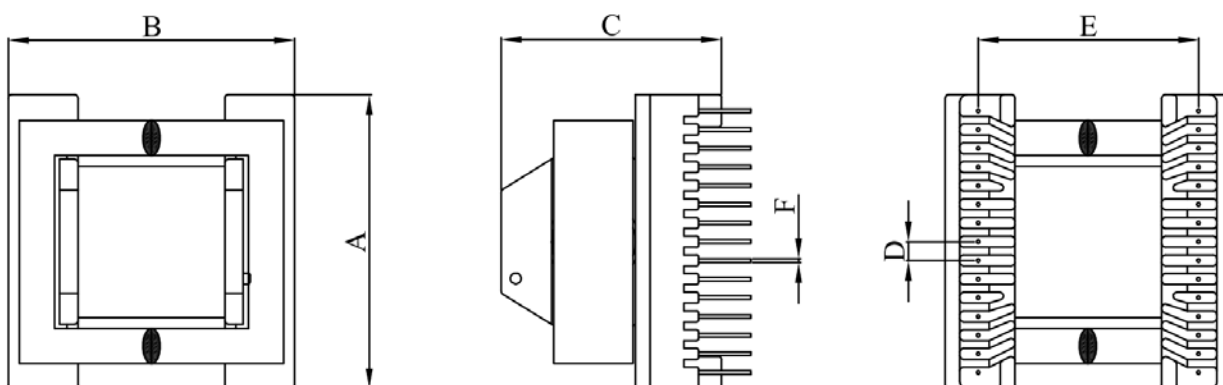


Fig. 4



THT POWER TRANSFORMERS

ER Series – Horizontal

Fig. 5

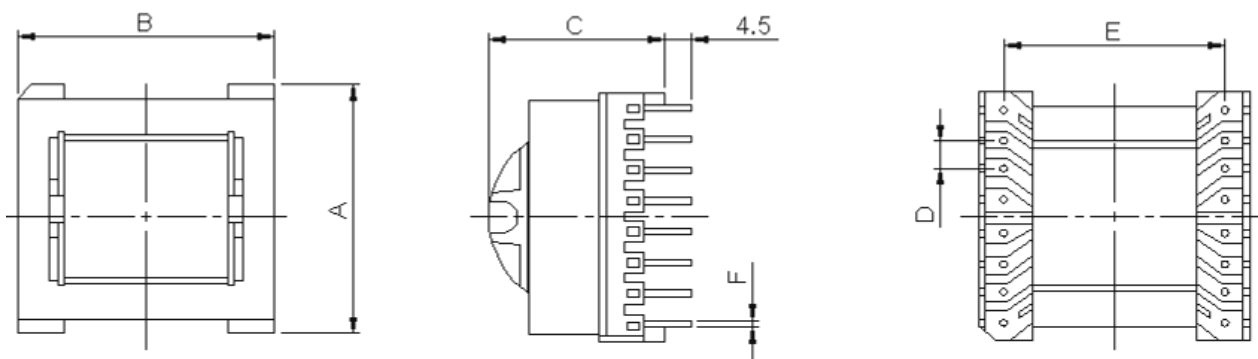
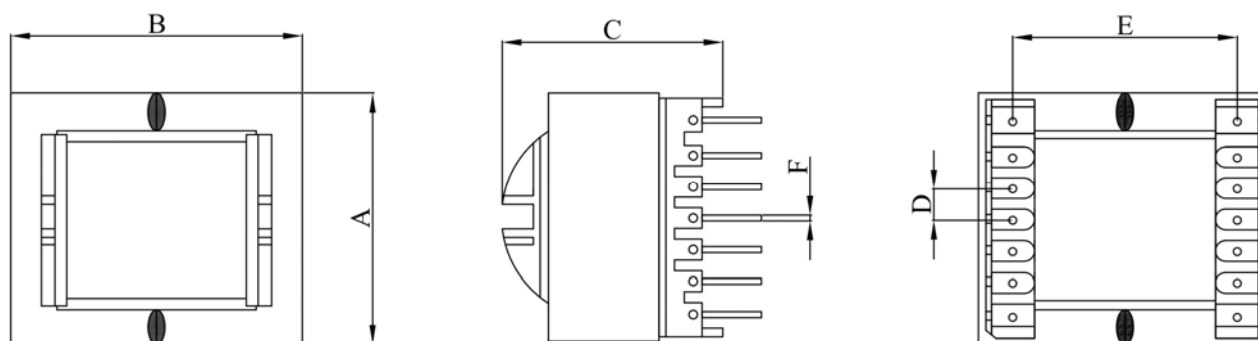


Fig. 6



THT POWER TRANSFORMERS

ETD Series

Features

- High power density and high efficiency/高功率密度，高效率
- Multiple-output is available/多路输出
- Operating frequency up to 500kHz/最大工作频率 500kHz
- Power up to 6kW/最大功率 6kW
- Custom designs available/客户定制



Application

- Solar inverter, Server, Amplifier/太阳能逆变器，服务器，音响功放
- Network, POE, Router/网络产品，POE，路由器
- Elevator emergency power supply, /电梯应急电源
- Electric vehicle charging pile/电动汽车充电桩电源
- Medical instrument power supply/医疗仪器电源
- Variable-frequency drive/变频器
- Industrial power supply/工业电源
- High end LED power supply/高端 LED 电源
- High end charger and USB/高端 USB 充电器
- Smart home electronics/智能家用电器
- Electrical power equipment/电力设备
- Test instrument/测试仪器

Specifications

Size	Fig.	A (Max.)	B (Max.)	C (Max.)	D (Nom.)	E (Nom.)	F (Nom.)	Pins (Optional)	fsw (kHz)	Power (W) ²
ETD29	1	36.5	36.5	26.0	5.0	25.5	Φ0.8	7+7	100	30-60
ETD34-1	1	41.0	41.0	32.0	5.0	25.5	Φ0.8	7+7	100	80-150
ETD34-2	2	36.0	36.0	27.5	5.0	30.2	Φ0.8	7+7	100	80-150
ETD34-3	3	36.0	36.0	26.0	5.5	28.0	Φ0.8	6+6	100	80-150
ETD34-4	4	44.0	37.5	25.5	2.5	25.5	Φ0.8	16+16	100	80-150
ETD39	5	45.5	45.0	37.0	5.0	30.2	Φ1.0	8+8	100	150-300
ETD44-1	6	51.0	52.5	41.0	5.0	35.8	Φ1.0	9+9	100	300-1000
ETD44-2	7	46.0	48.0	29.0	5.0	35.0	Φ0.8	8+8	100	300-1000
ETD49	8	56.0	58.0	42.0	5.0	41.0	Φ1.0	10+10	100	800-2000
ETD54	9	62.5	62.5	46.0	5.08	46.0	Φ1.0	11+11	100	2000-4000
ETD59	10	68.0	67.5	50.0	5.08	50.8	Φ1.0	13+13	100	3000-6000

1. Operating Temperature: -40°C~+125°C(Includes temperature when the coil is heated).

2. Output power is only for reference at switching frequency 100kHz.

THT POWER TRANSFORMERS

ETD Series

Mechanical

Fig. 1

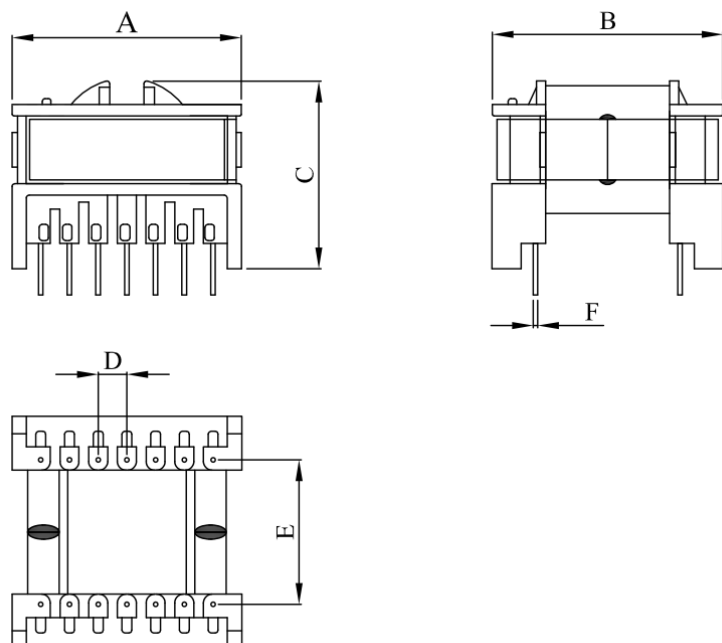
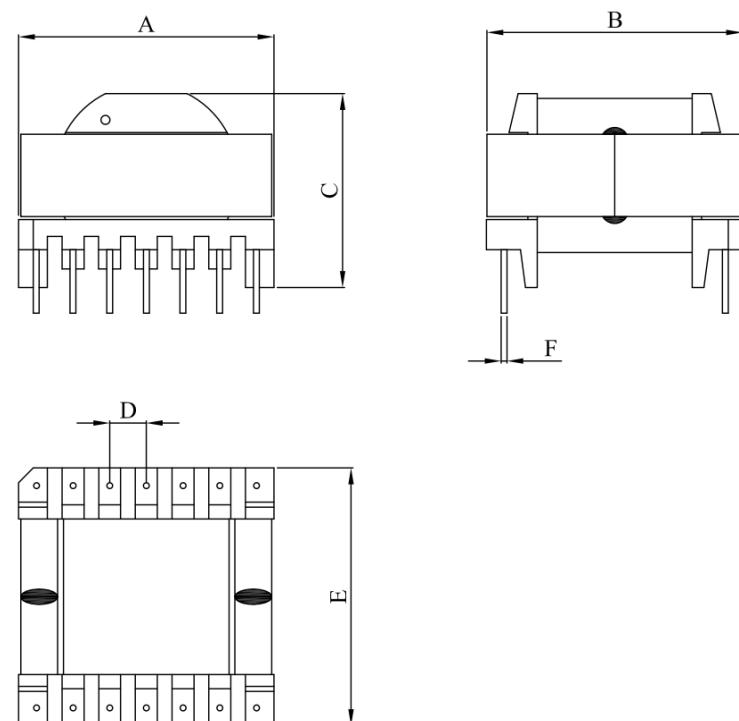


Fig. 2 ETD34-2



THT POWER TRANSFORMERS

ETD Series

Fig. 3 ETD34-3

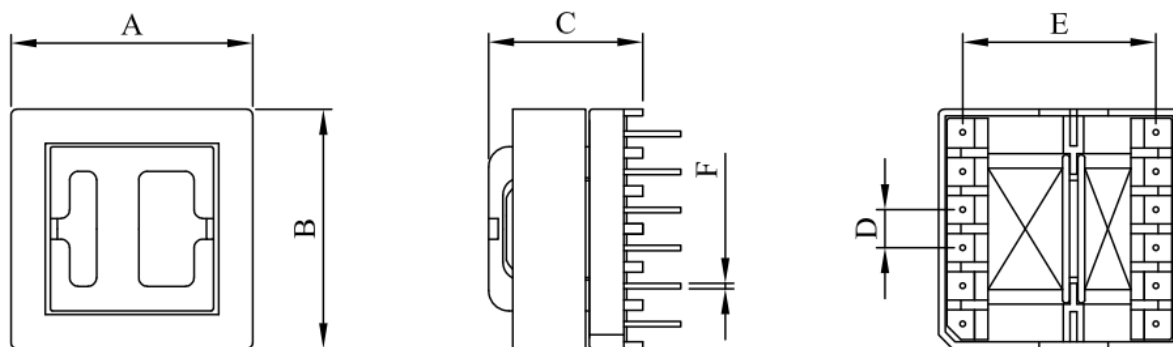


Fig. 4 ETD34-4

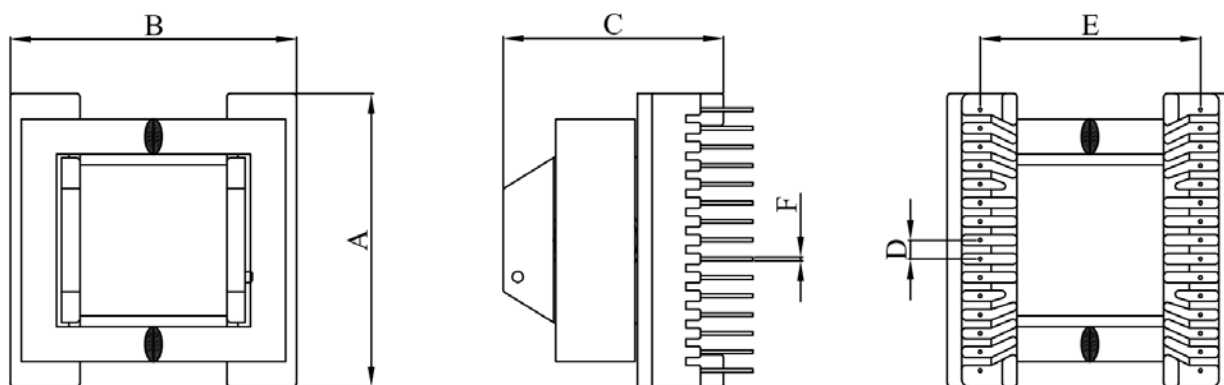
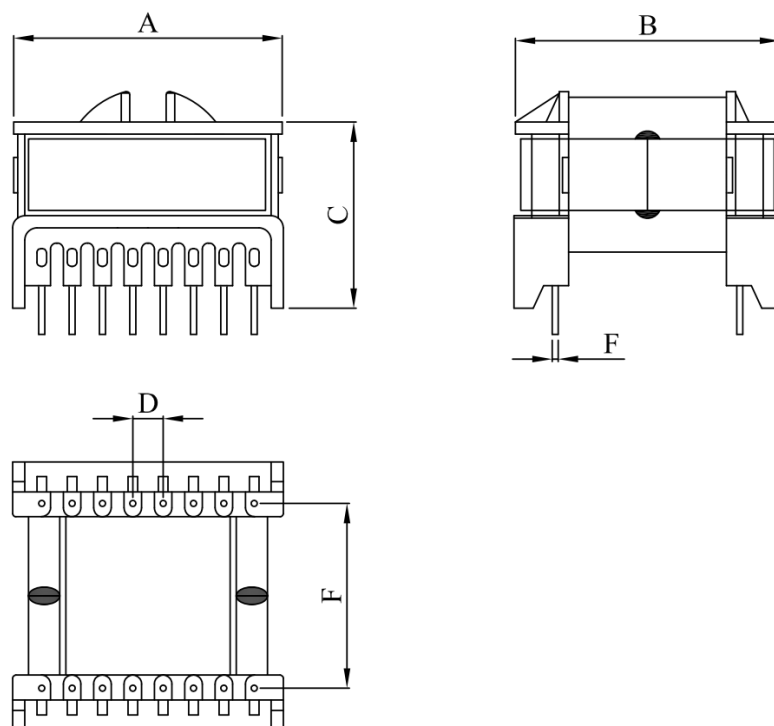


Fig. 5 ETD39



THT POWER TRANSFORMERS

ETD Series

Fig. 6 ETD44-1

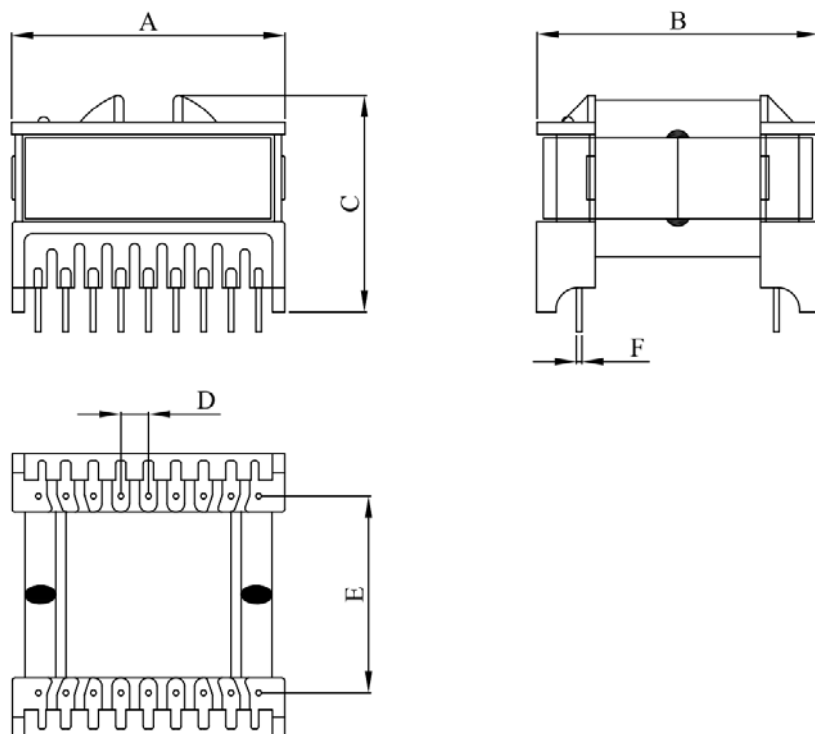
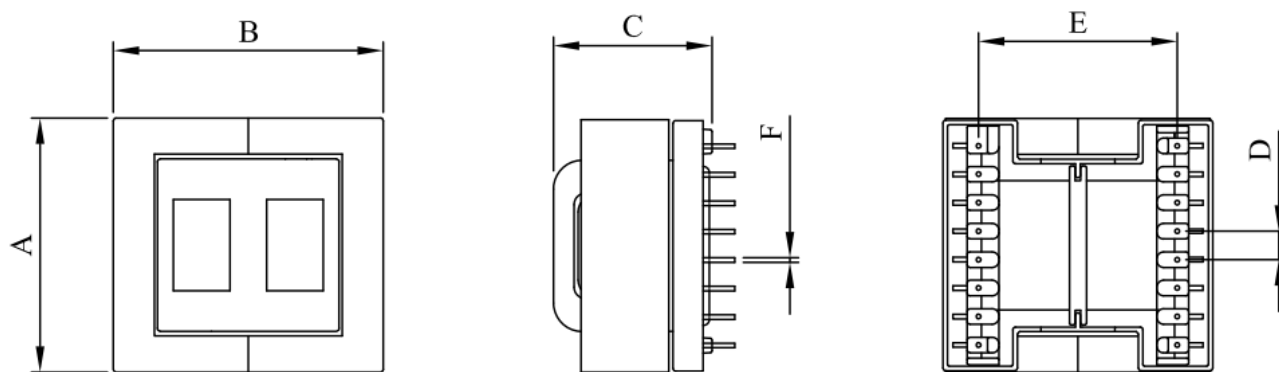


Fig. 7 ETD44-2



THT POWER TRANSFORMERS

ETD Series

Fig. 8 ETD49

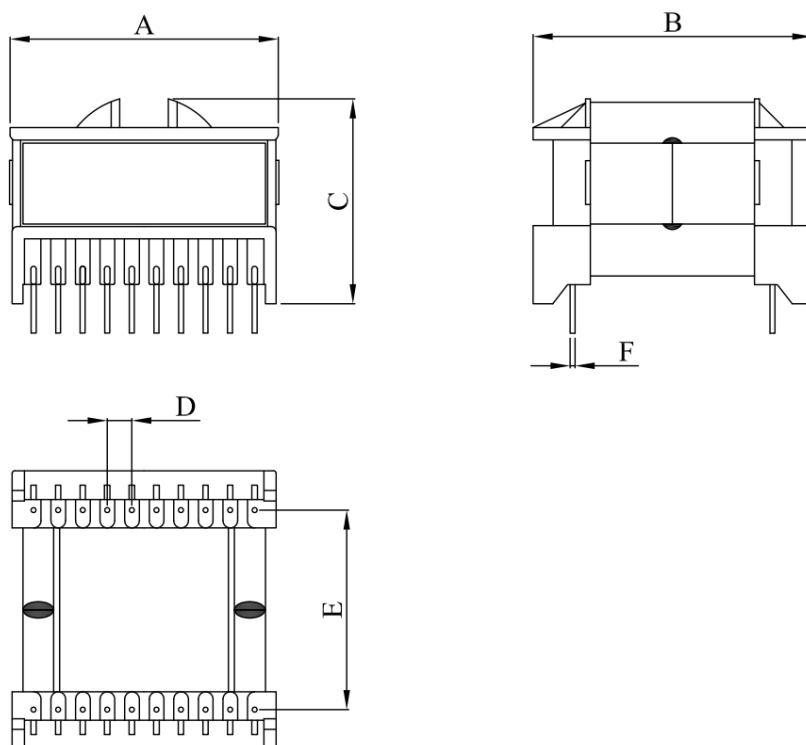
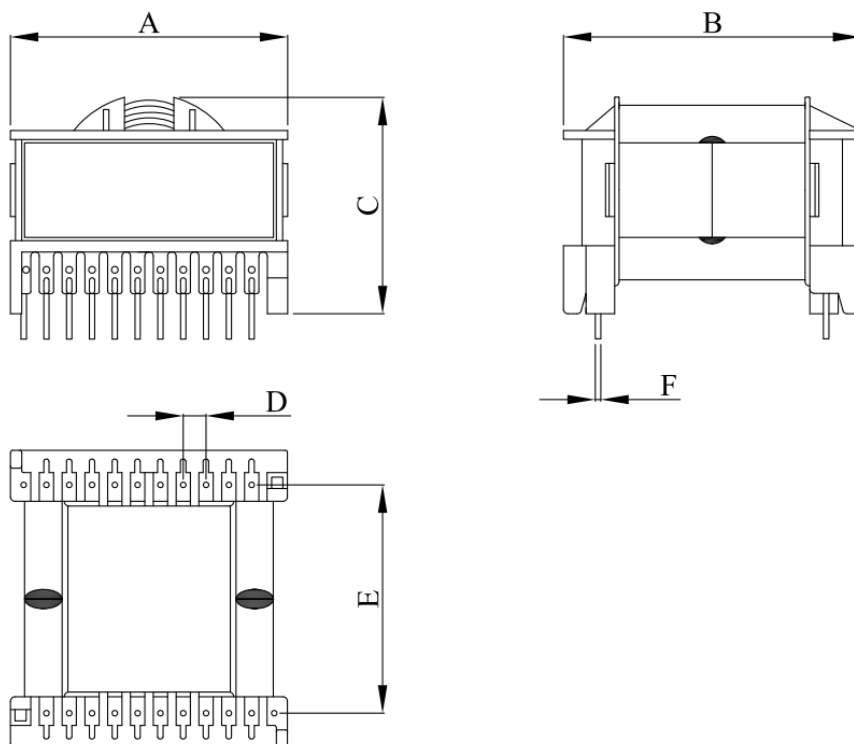


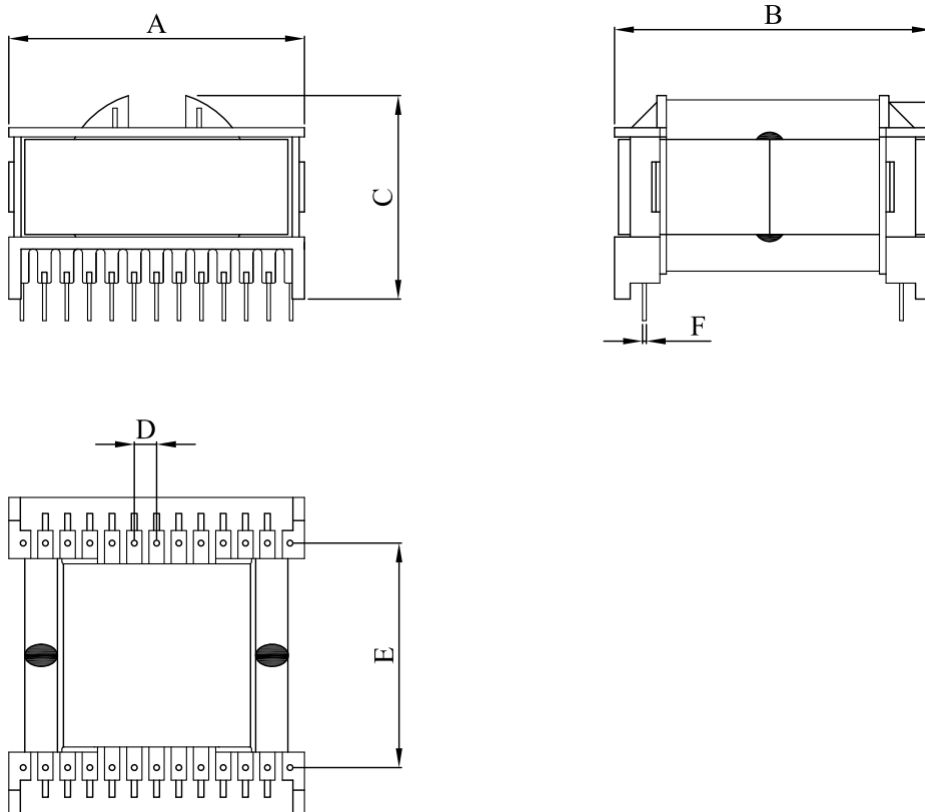
Fig. 9 ETD54



THT POWER TRANSFORMERS

ETD Series

Fig. 10 ETD59

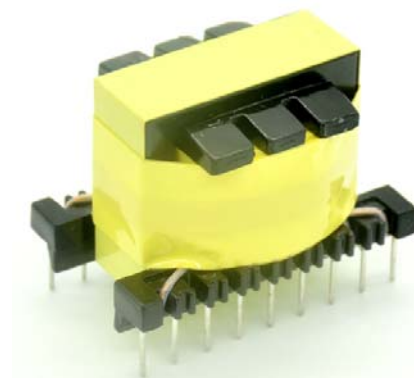


THT POWER TRANSFORMERS

EI Series –Vertical

Features

- High power density and high efficiency/高功率密度，高效率
- Multiple-output is available/多路输出
- Operating frequency up to 500kHz/最大工作频率 500kHz
- Power up to 3kW/最大功率 3kW
- Custom designs available/客户定制



Application

- Solar inverter, Server, Amplifier/太阳能逆变器，服务器，音响功放
- Network, POE, Router/网络产品，POE，路由器
- Elevator emergency power supply, /电梯应急电源
- Medical instrument power supply/医疗仪器电源
- Variable-frequency drive/变频器
- Industrial power supply/工业电源
- High end LED power supply/高端 LED 电源
- High end charger and USB/高端 USB 充电器
- Smart home electronics/智能家用电器
- Electrical power equipment/电力设备
- Test instrument/测试仪器

Specifications

Size	Fig.	A (Max.)	B (Max.)	C (Max.)	D (Nom.)	E (Nom.)	F (Nom.)	Pins (Optional)	fsw (kHz)	Power (W) ²
EI13	1	15.0	14.0	12.0	2.5	7.5	Φ0.6	5+5	100	5-10
EI16	1	18.0	15.0	18.0	3.25	10.5	Φ0.6	5+5	100	10-15
EI19	1	24.0	18.0	20.0	4.0	10.0	Φ0.8	5+5	100	15-20
EI22	1	24.0	18.0	21.0	4.0	10.3	Φ0.8	5+5	100	25-35
EI25	2	27.0	19.0	23.0	5.0	15.2	Φ0.8	4+4	100	30-50
EI28	1	30.0	24.0	24.0	5.0	17.5	Φ0.8	5+5	100	40-60
EI33-1	3	30.0	30.0	30.5	5.0	22.5	Φ0.8	6+6	100	60-100
EI33-2	4	35.0	28.5	30.5	5.0	22.5	Φ0.8	7+7	100	60-100
EI33-3	5	40.0	29.5	30.5	5.0	22.5	Φ0.8	8+8	100	60-100
EI33-4	6	46.5	31.0	31.0	5.0	22.5	Φ0.8	9+9	100	60-100
EI35	7	36.5	29.0	30.0	5.0	20.0	Φ0.8	7+7	100	80-150
EI40-1	3	41.5	29.0	36.5	5.0	22.5	Φ0.8	6+6	100	200-500
EI40-2	5	42.5	29.5	38.0	5.0	22.5	Φ0.8	8+8	100	200-500

1. Operating Temperature: -40°C~+125°C(Includes temperature when the coil is heated).

2. Output power is only for reference at switching frequency 100kHz.

THT POWER TRANSFORMERS

EI Series – Vertical

Mechanical

Fig. 1

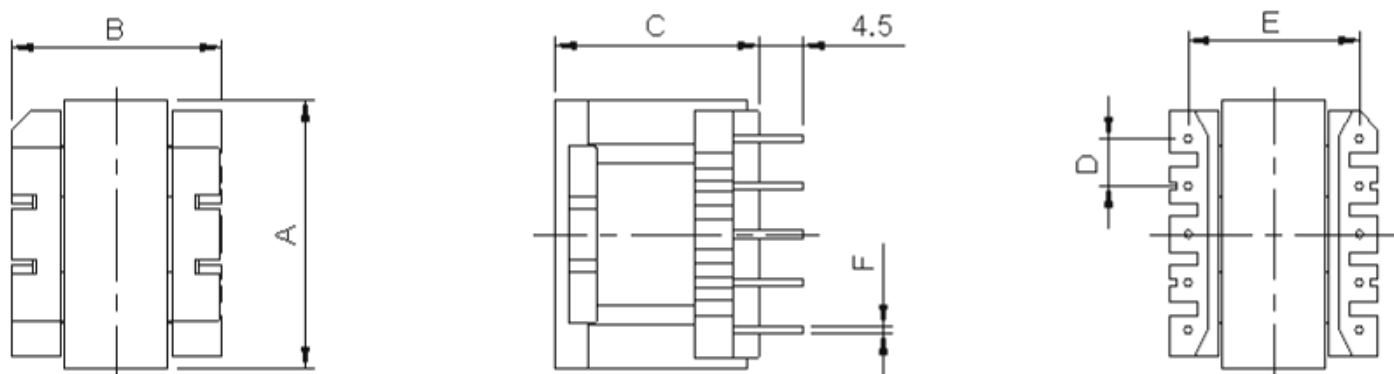


Fig. 2

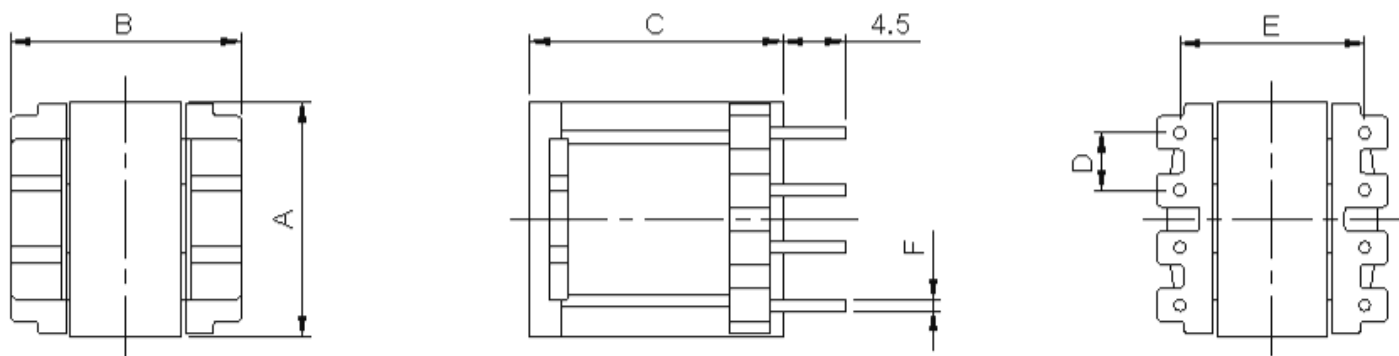


Fig. 3

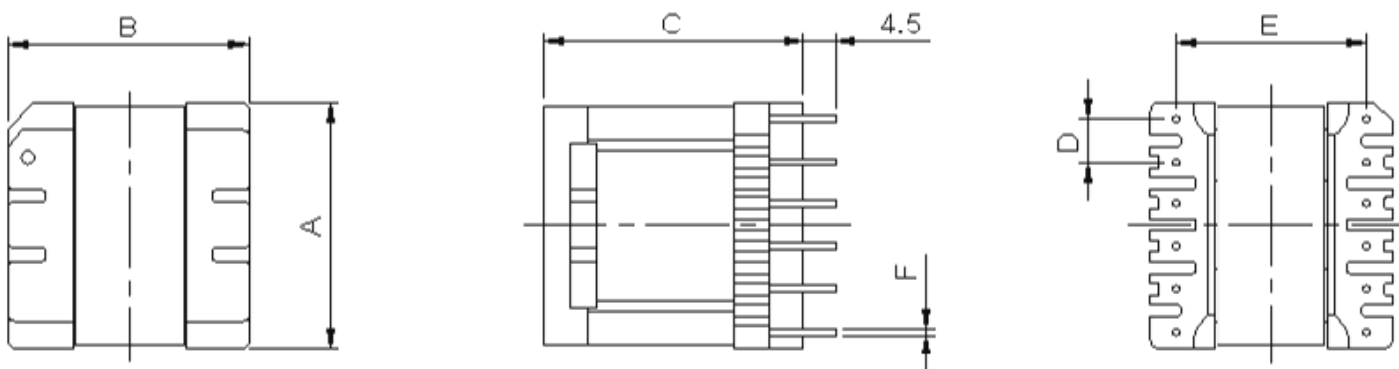
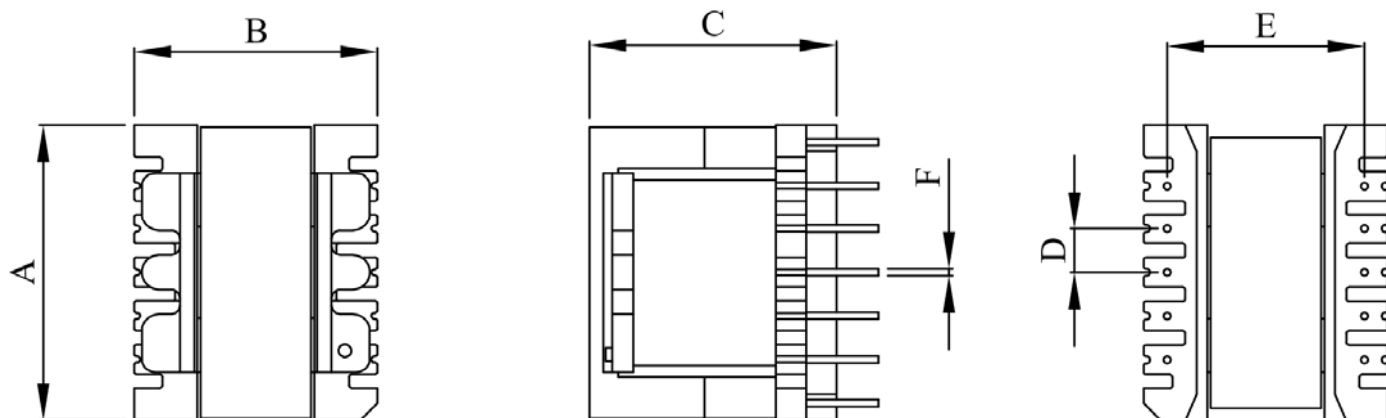


Fig. 4



THT POWER TRANSFORMERS

EI Series – Vertical

Fig. 5

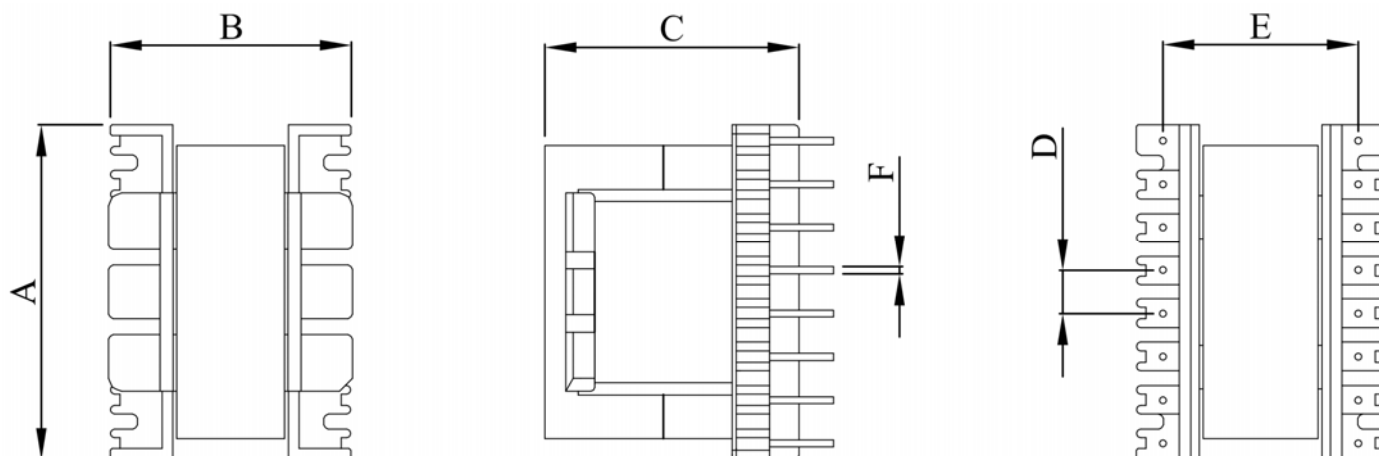


Fig. 6

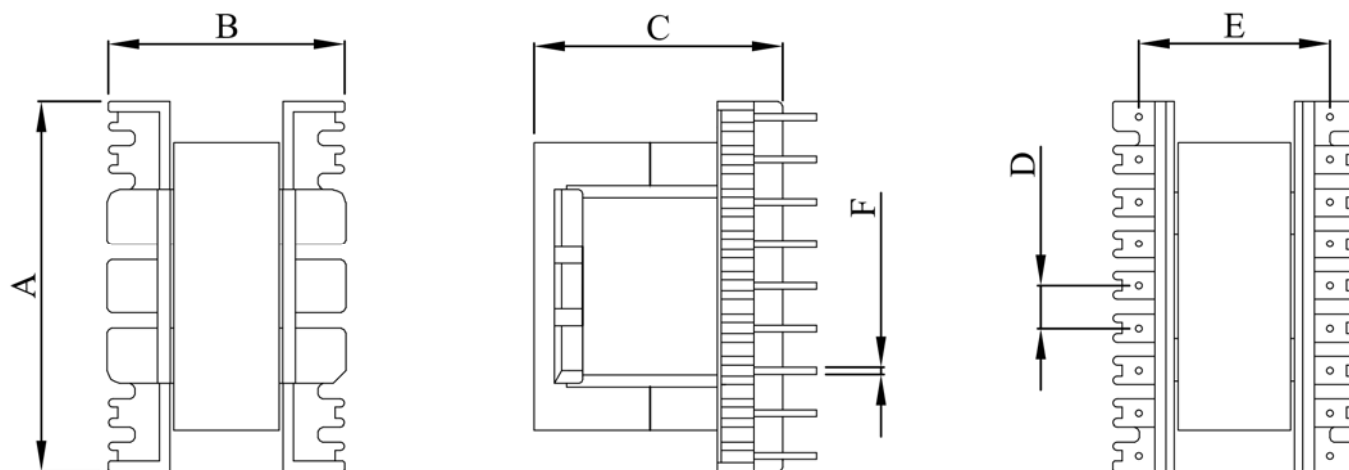
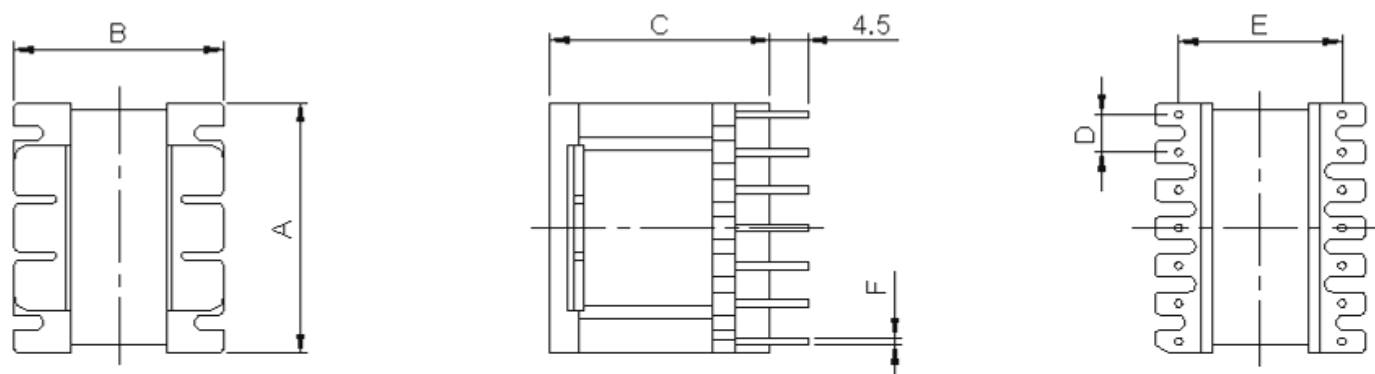


Fig. 7



THT POWER TRANSFORMERS

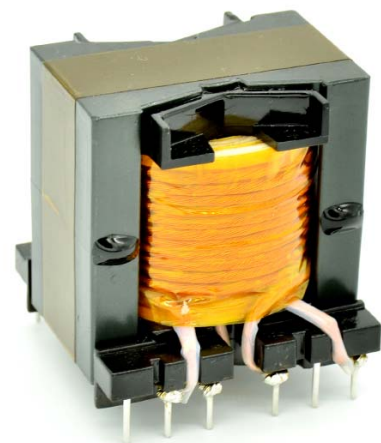
PQ Series

Features

- High power density and high efficiency/高功率密度，高效率
- Multiple-output is available/多路输出
- Operating frequency up to 500kHz/最大工作频率 500kHz
- Power up to 6kW/最大功率 6kW
- Custom designs available/客户定制

Application

- Solar inverter, Server, Amplifier/太阳能逆变器，服务器，音响功放
- Network, POE, Router/网络产品，POE，路由器
- Elevator emergency power supply, /电梯应急电源
- Electric vehicle charging pile/电动汽车充电桩电源
- Medical instrument power supply/医疗仪器电源
- Variable-frequency drive/变频器
- Industrial power supply/工业电源
- High end LED power supply/高端 LED 电源
- High end charger and USB/高端 USB 充电器
- Smart home electronics/智能家用电器
- Electrical power equipment/电力设备
- Test instrument/测试仪器



Specifications

Size	Fig.	A (Max.)	B (Max.)	C (Max.)	D (Nom.)	D1 (Nom.)	E (Nom.)	Pins (Optional)	fsw (kHz)	Power (W) ²
PQ2016	1	25	25	21	2.54	3.80	20.5	6+8	100	25-30
PQ2020	1	25	25	26	2.54	3.80	20.5	6+8	100	25-40
PQ2620	2	28	32	27	3.81	7.62	25.4	6+6	100	40-80
PQ2625	2	28	32	32	3.81	7.62	25.4	6+6	100	50-100
PQ3220	2	35	37	23	5.08	7.62	30.5	6+6	100	100-200
PQ3225	2	35	37	30	5.00	7.50	30.5	6+6	100	150-300
PQ3230	2	35	37	34	5.00	7.50	30.5	6+6	100	200-500
PQ3525	2	37	42	32	5.00	10.20	35.5	6+6	100	250-500
PQ3530	2	37	42	36	5.00	10.20	35.5	6+6	100	250-600
PQ3535	2	37	42	40	5.00	10.20	35.5	6+6	100	800-1500
PQ4040-1	2	43	42	47	5.00	15.00	38.1	6+6	100	1000-3000
PQ4040-2	3	44	42	42	5.00	--	35.5	7+7	100	1000-3000
PQ5050	2	53	53	56	7.50	12.40	45.0	6+6	100	2000-5000

1. Operating Temperature: -40°C~+125°C(Includes temperature when the coil is heated).

2. Output power is only for reference at switching frequency 100kHz

THT POWER TRANSFORMERS

PQ Series

Mechanical

Fig. 1

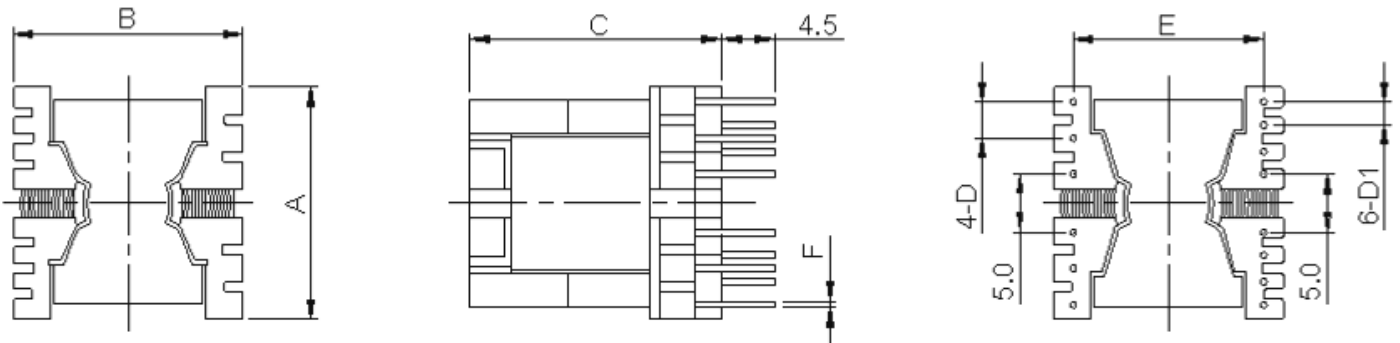


Fig. 2

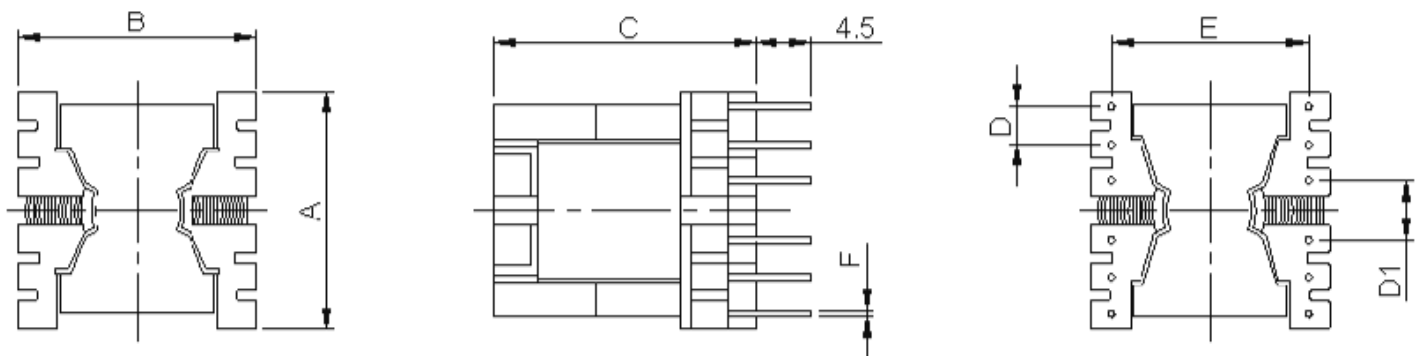
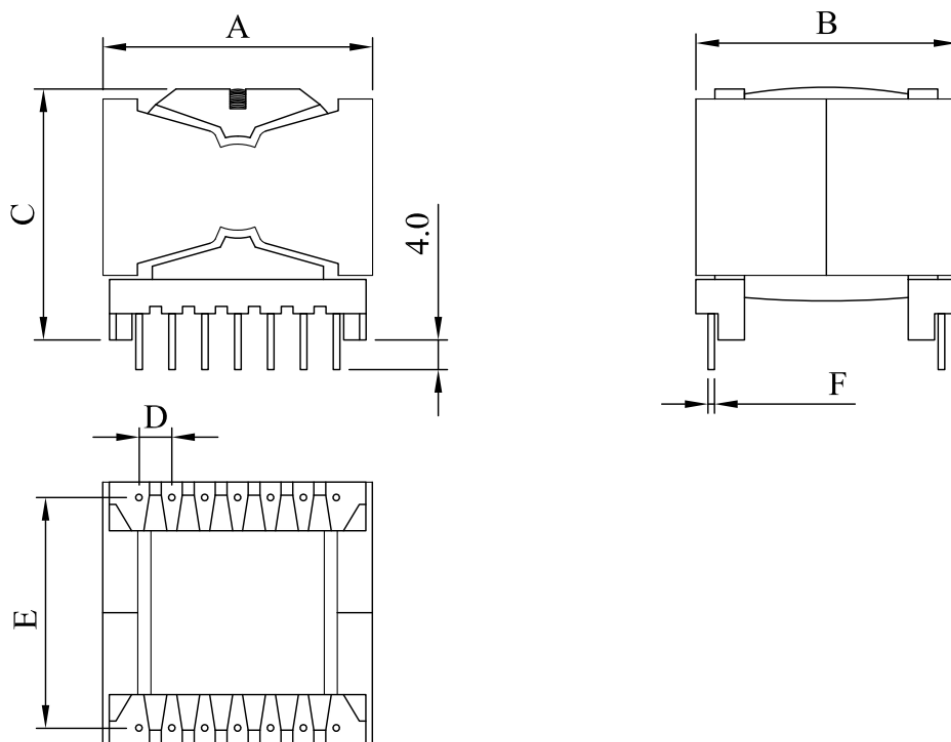


Fig. 3

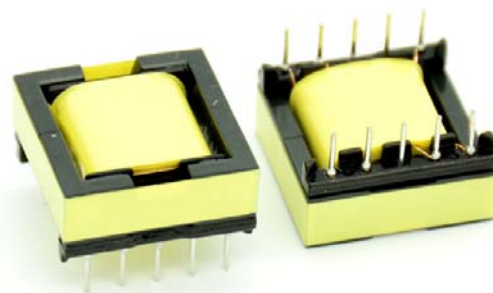


THT POWER TRANSFORMERS

EFD Series

Features

- High power density and high efficiency/高功率密度，高效率
- Multiple-output is available/多路输出
- Low height solution/低高度方案
- Operating frequency up to 500kHz/最大工作频率 500kHz
- Custom designs available/客户定制



Application

- Solar inverter, Server, Amplifier/太阳能逆变器，服务器，音响功放
- Network, POE, Router/网络产品，POE，路由器
- Elevator emergency power supply, /电梯应急电源
- Medical instrument power supply/医疗仪器电源
- Variable-frequency drive/变频器
- Industrial power supply/工业电源
- High end LED power supply/高端 LED 电源
- High end charger and USB/高端 USB 充电器
- Smart home electronics/智能家用电器
- Electrical power equipment/电力设备
- Test instrument/测试仪器

Specifications

Size	Fig.	A (Max.)	B (Max.)	C (Max.)	D (Nom.)	E (Nom.)	F (Nom.)	Pins (Optional)	fsw (kHz)	Power (W) ²
EFD15	1	16.0	17.2	9.0	3.75	13.75	Φ0.6	4+4	100	10-15
EFD20-1	1	21.5	21.5	11.5	5.0	17.5	Φ0.6	4+4	100	20-30
EFD20-2	2	21.5	21.5	11.5	3.75	17.5	Φ0.6	5+5	100	20-30
EFD25	2	26.0	27.0	16.0	5.0	22.5	Φ0.8	5+5	100	30-60
EFD30	3	31.0	32.2	17.5	5.0	27.5	Φ0.8	6+6	100	50-100

1. Operating Temperature: -40°C~+125°C(Includes temperature when the coil is heated).

2. Output power is only for reference at switching frequency 100kHz.

THT POWER TRANSFORMERS

EFD Series

Mechanical

Fig. 1

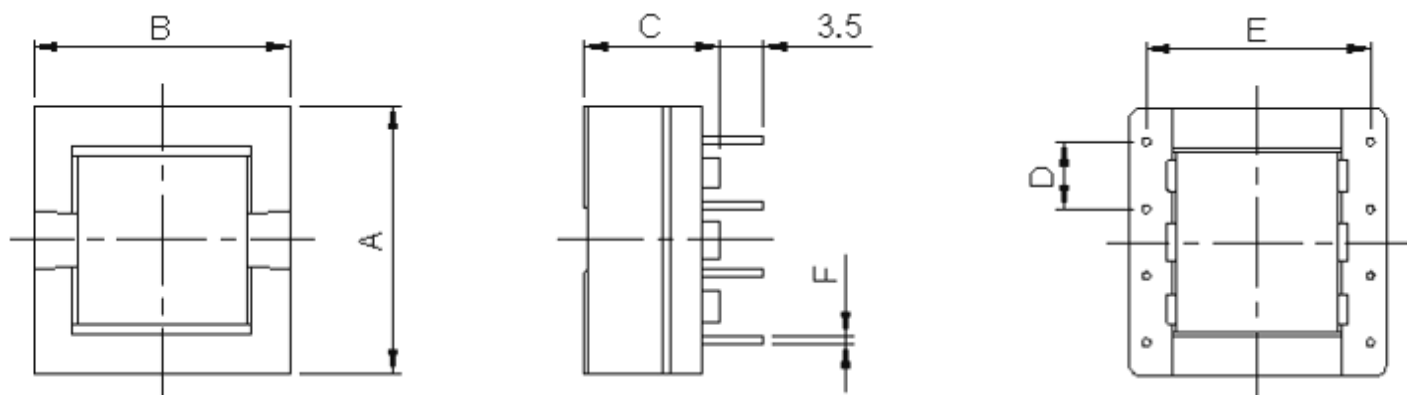


Fig. 2

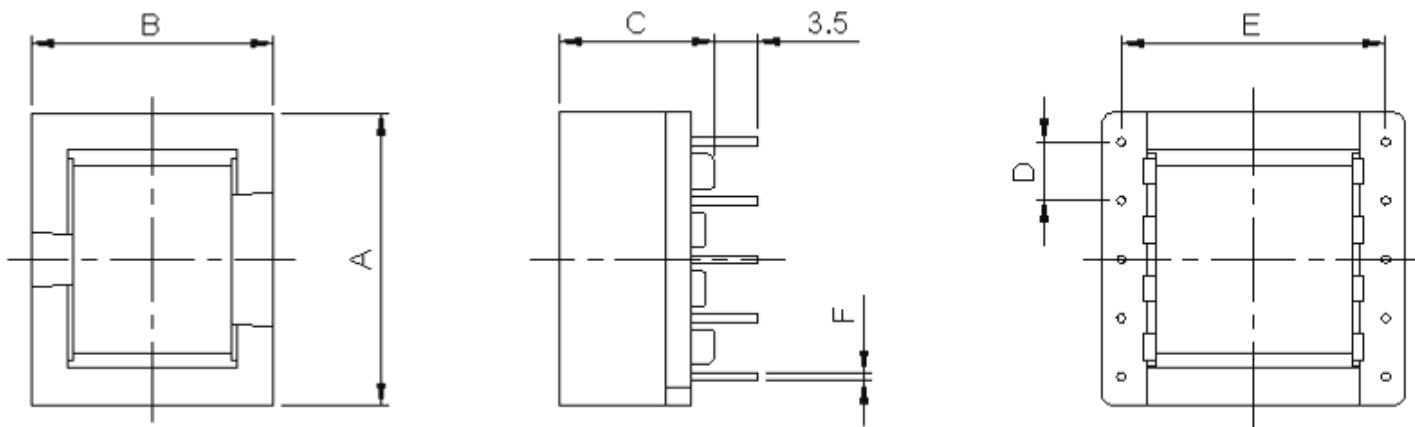
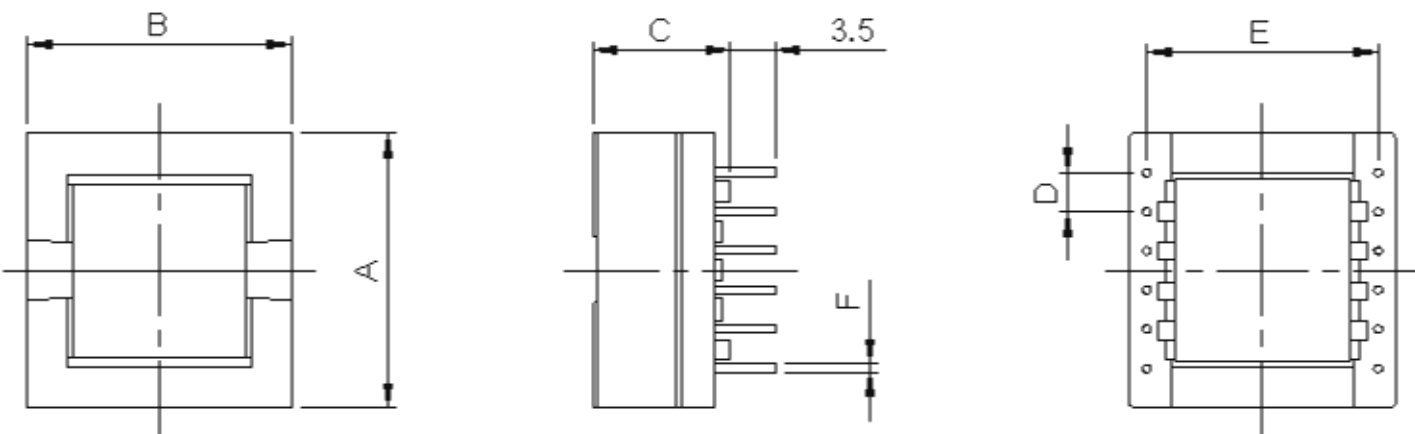


Fig. 3

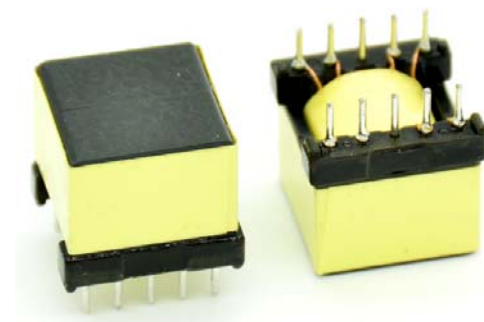


SMT POWER TRANSFORMERS

EP Series

Features

- High power density and high efficiency/高功率密度，高效率
- Multiple-output is available/多路输出
- Operating frequency up to 500kHz/最大工作频率 500kHz
- Custom designs available/客户定制



Application

- Network, POE, Router/网络产品，POE，路由器
- Solar inverter, Server, Amplifier/太阳能逆变器，服务器
- Medical instrument power supply/医疗仪器电源
- Variable-frequency drive/变频器
- Industrial power supply/工业电源
- High end LED power supply/高端 LED 电源
- High end charger and USB/高端 USB 充电器
- Smart home electronics/智能家用电器
- Electrical power equipment/电力设备
- Test instrument/测试仪器

Specifications

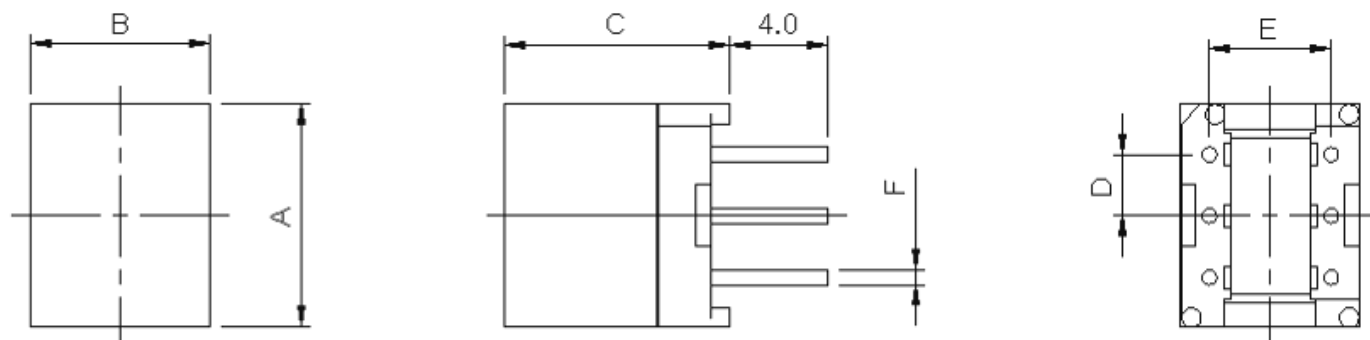
Size	Fig.	A (Max.)	B (Max.)	C (Max.)	D (Nom.)	E (Nom.)	F (Nom.)	Pins (Optional)	fsw (kHz)	Power (W) ²
EP7	1	10.2	9.0	11.0	2.54	5.08	Φ0.6	3+3	100	5-10
EP10	2	12.5	12.0	13.0	2.50	7.50	Φ0.6	4+4	100	10-15
EP13	3	15.0	14.3	14.0	2.50	10.0	Φ0.6	5+5	100	15-40
EP17	2	20.0	20.0	17.0	5.00	15.0	Φ0.6	4+4	100	25-50

1. Operating Temperature: -40°C~+125°C(Includes temperature when the coil is heated).

2. Output power is only for reference at switching frequency 100kHz.

Mechanical

Fig. 1



SMT POWER TRANSFORMERS

EP Series

Fig. 2

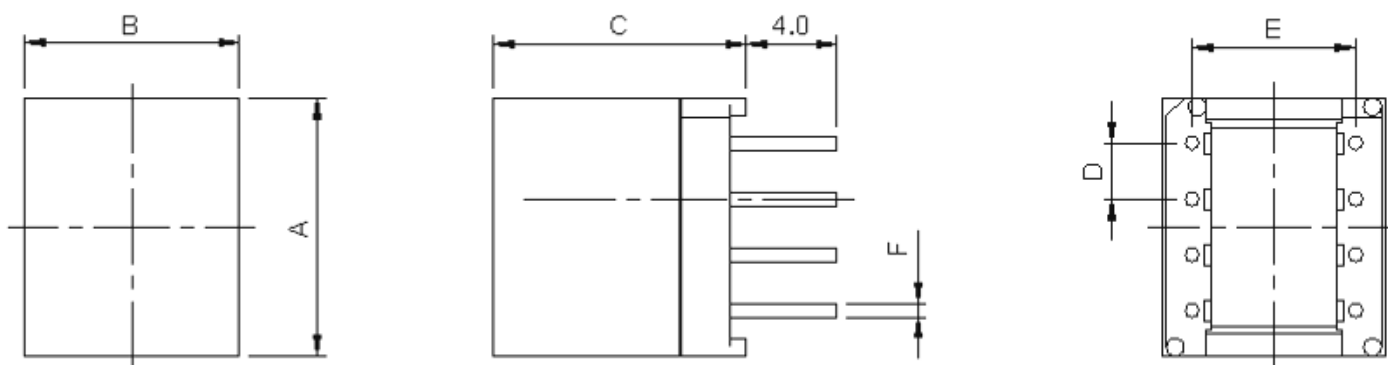
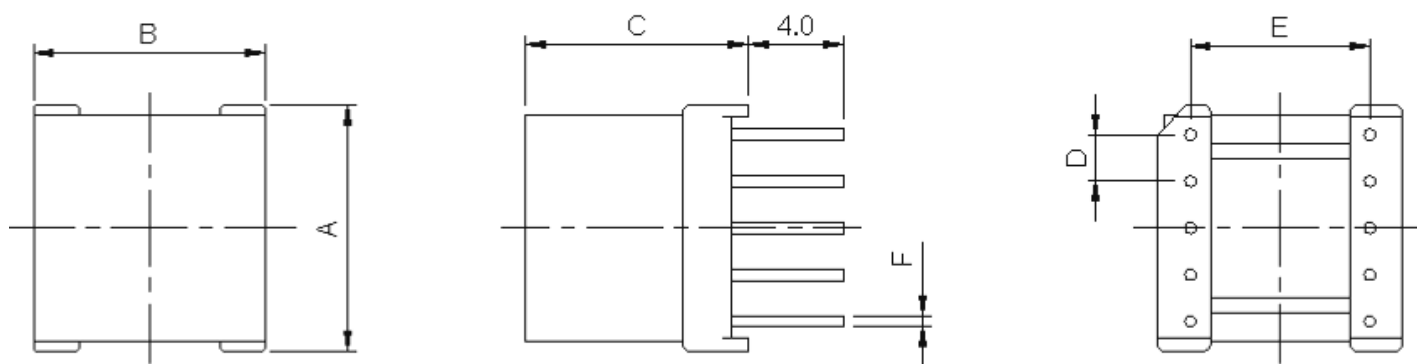


Fig. 3

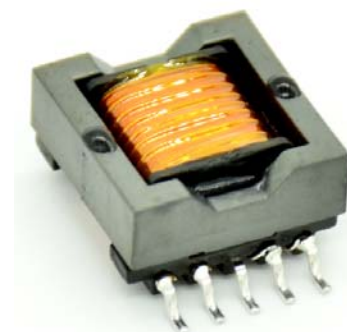


SMT POWER TRANSFORMERS

EFD Series without Cover

Features

- High power density and high efficiency/高功率密度，高效率
- Multiple-output is available/多路输出
- Operating frequency up to 500kHz/最大工作频率 500kHz
- Custom designs available/客户定制



Application

- Network, POE, Router/网络产品，POE，路由器
- Solar inverter, Server, Amplifier/太阳能逆变器，服务器，音响功放
- Medical instrument power supply/医疗仪器电源
- Variable-frequency drive/变频器
- Industrial power supply/工业电源
- Smart home electronics/智能家用电器
- Electrical power equipment/电力设备
- Test instrument/测试仪器

Specifications

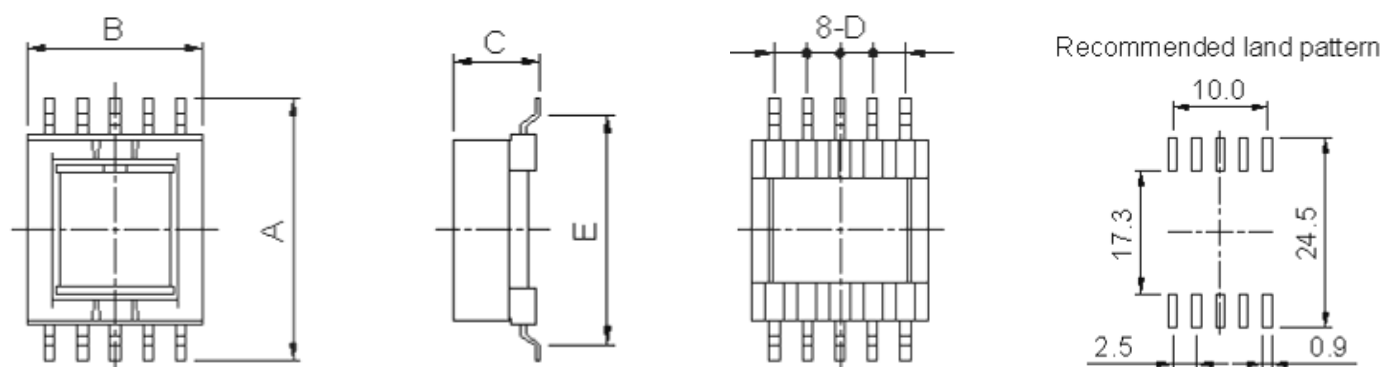
Size	Fig.	A (Max.)	B (Max.)	C (Max.)	D (Nom.)	E (Nom.)	PIN Size (Nom.)	Pins (Optiona)	fsw (kHz)	Power (W) ²
SEFD15	1	23.0	16.0	9.0	2.5	18.2	0.7x0.4	5+5	100	10-15
	2	23.0	18.0	9.0	2.5	18.1	0.7x0.35	6+6	100	
SEFD20	3	26.0	22.5	11.0	3.75	23.1	1.0x0.4	5+5	100	20-40
	4	30.0	21.5	11.0	3.0	24.6	0.7x0.4	6+6	100	
SEFD25	5	33.0	26.5	14.2	5.0	29.7	1.0x0.4	5+5	100	30-60
	6	33.0	26.5	14.5	4.0	29.7	1.0x0.4	6+6	100	

1. Operating Temperature: -40°C~+125°C(Includes temperature when the coil is heated).

2. Output power is only for reference at switching frequency 100kHz.

Mechanical

Fig. 1



SMT POWER TRANSFORMERS

EFD Series without Cover

Fig. 2

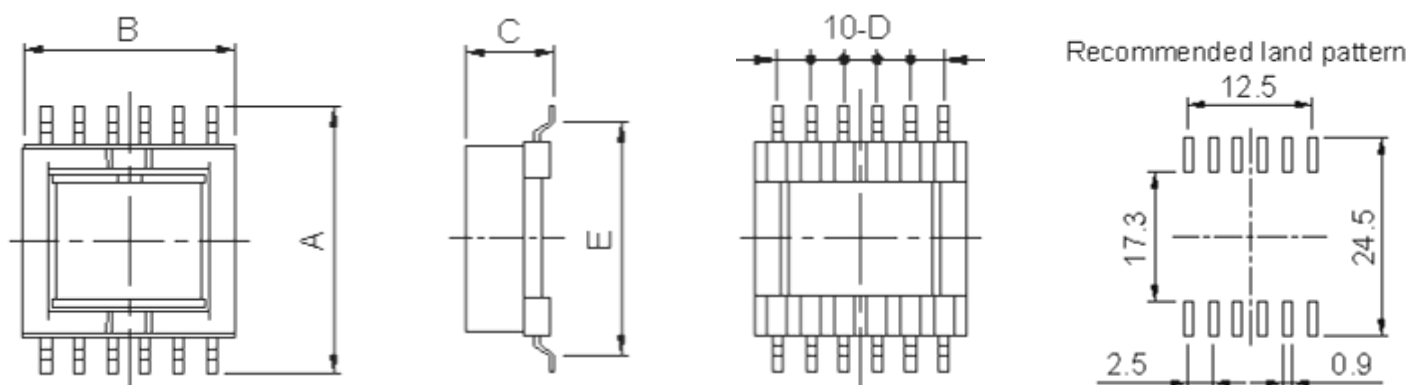


Fig. 3

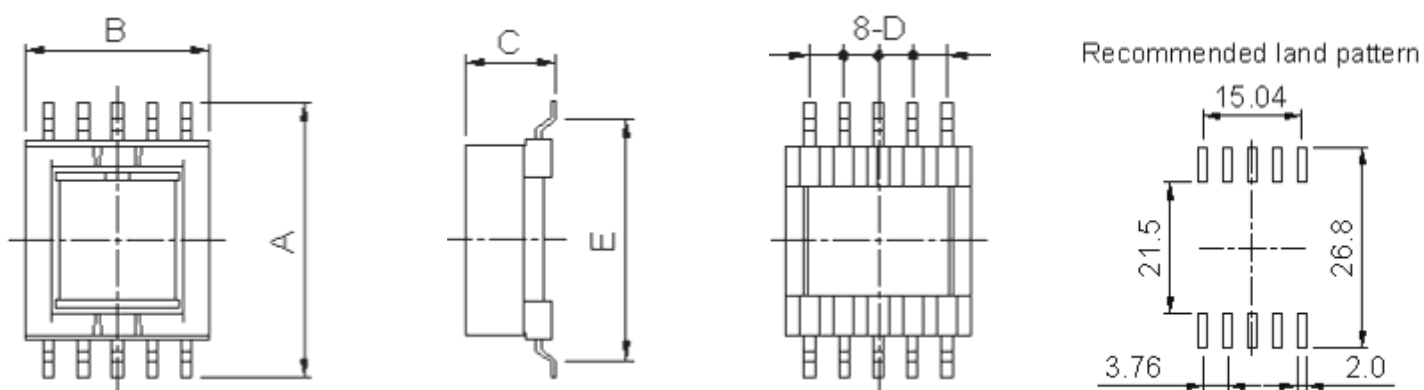
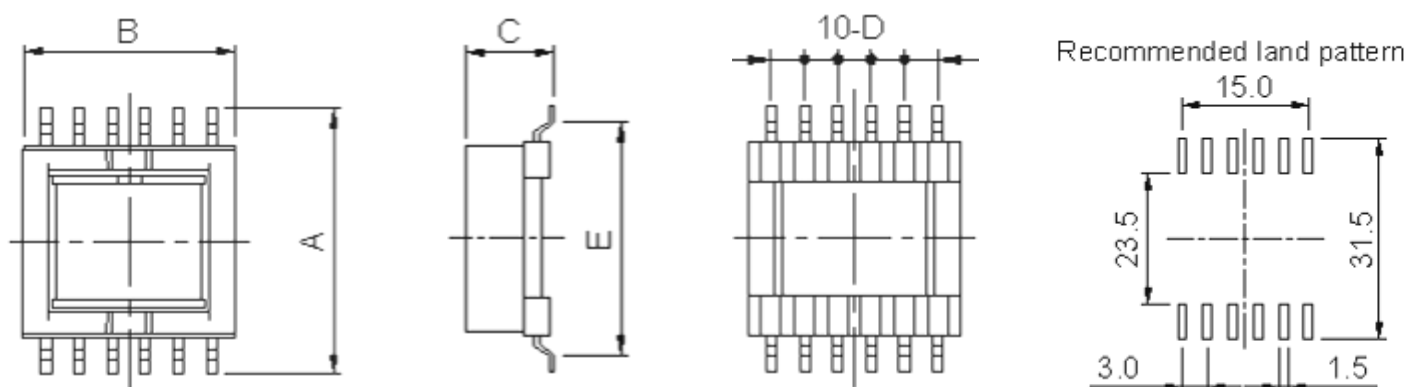


Fig. 4



SMT POWER TRANSFORMERS

EFD Series without Cover

Fig. 5

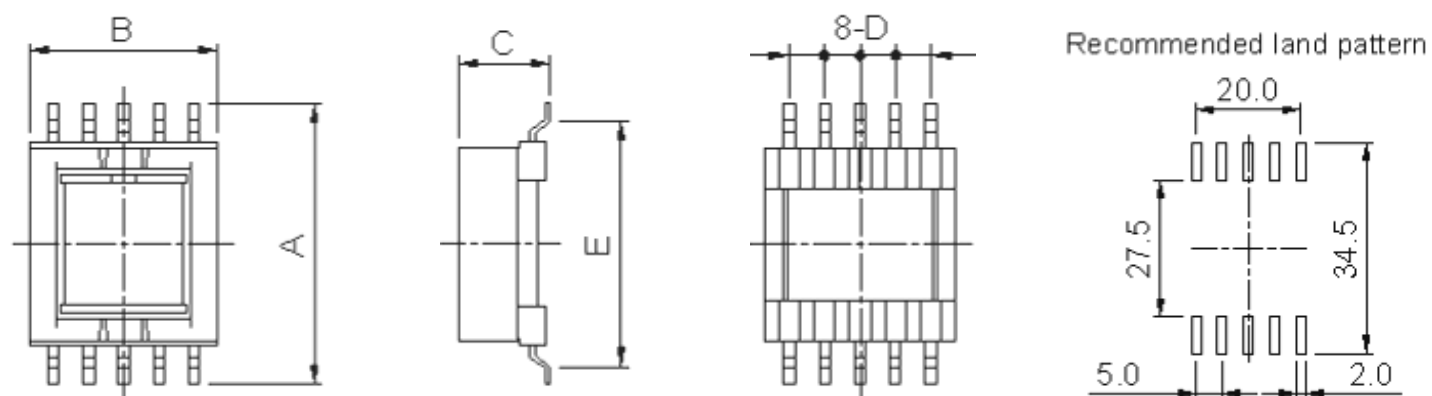
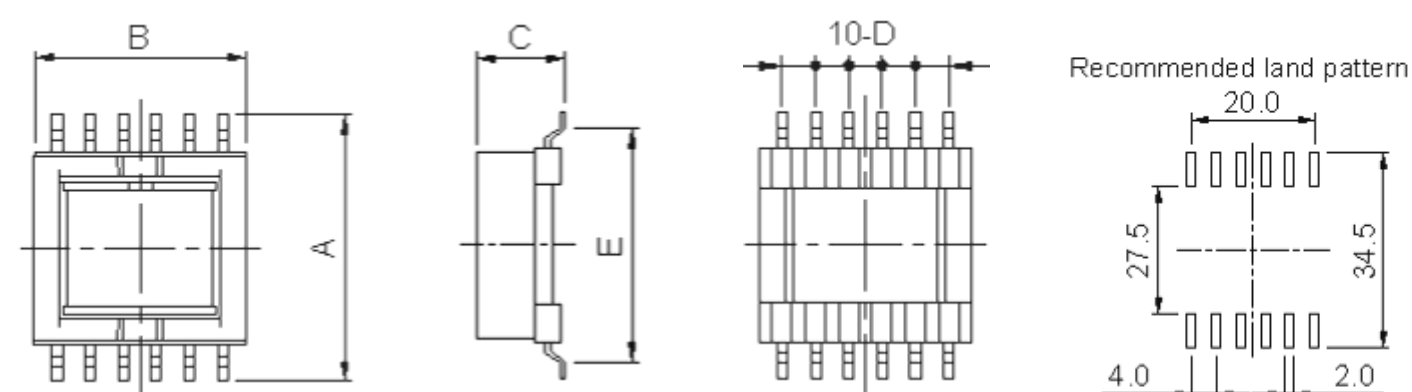


Fig. 6

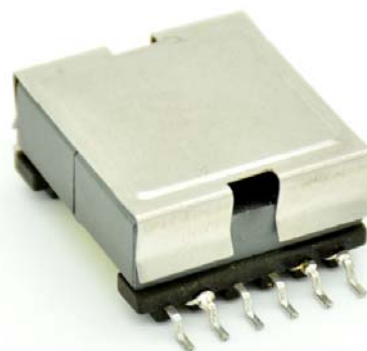


SMT POWER TRANSFORMERS

EFD Series with Cover

Features

- High power density and high efficiency/高功率密度，高效率
- Multiple-output is available/多路输出
- Operating frequency up to 500kHz/最大工作频率 500kHz
- Custom designs available/客户定制



Application

- Network, POE, Router/网络产品，POE，路由器
- Solar inverter, Server, Amplifier/太阳能逆变器，服务器，音响功放
- Medical instrument power supply/医疗仪器电源
- Variable-frequency drive/变频器
- Industrial power supply/工业电源
- Smart home electronics/智能家用电器
- Electrical power equipment/电力设备
- Test instrument/测试仪器

Specifications

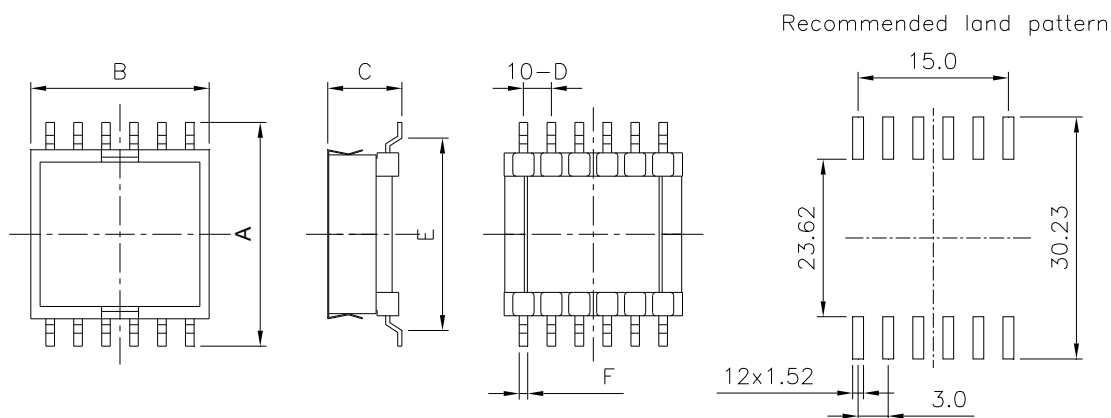
Size	Fig.	A (Max.)	B (Max.)	C (Max.)	D (Nom.)	E (Nom.)	F (Nom.)	Pins (Optional)	fsw (kHz)	Power (W) ²
SEFD15	2	23.0	18.0	10.0	2.5	18.1	0.7x0.35	6+6	100	10-15
SEFD20	1	29.5	21.5	12.5	3.0	24.6	0.7x0.4	6+6	100	20-40
SEFD25	2	33.0	27.5	15.0	4.0	29.7	1.0X0.4	6+6	100	30-60

1. Operating Temperature: -40°C~+125°C(Includes temperature when the coil is heated).

2. Output power is only for reference at switching frequency 100kHz.

Mechanical

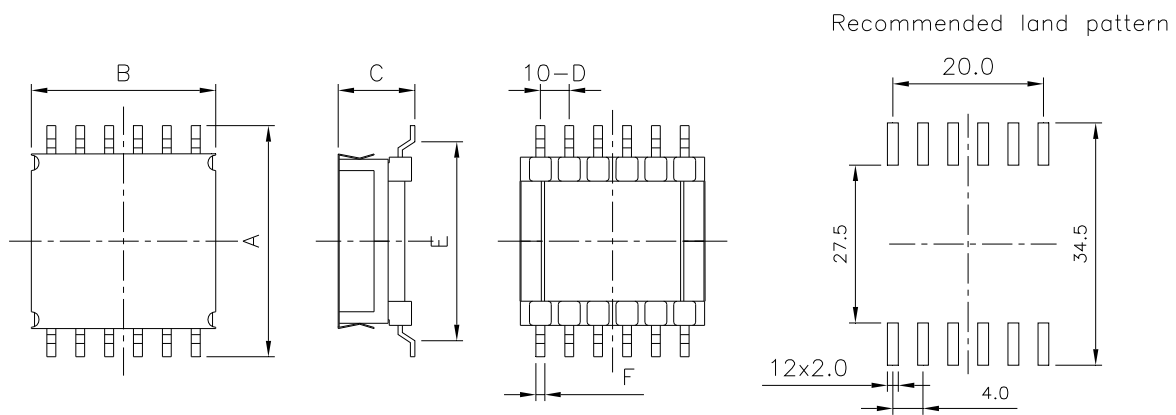
Fig. 1



SMT POWER TRANSFORMERS

EFD Series with Cover

Fig. 2

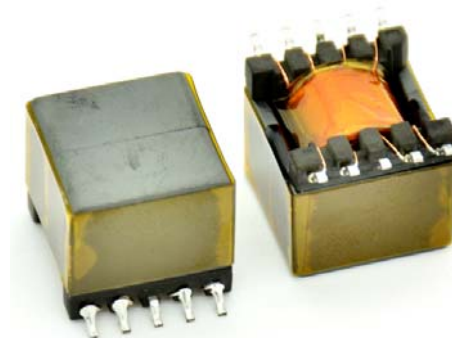


SMT POWER TRANSFORMERS

EP Series

Features

- High power density and high efficiency/高功率密度，高效率
- Multiple-output is available/多路输出
- Operating frequency up to 500kHz/最大工作频率 500kHz
- Custom designs available/客户定制



Application

- Network, POE, Router/网络产品，POE，路由器
- Solar inverter, Server, Amplifier/太阳能逆变器，服务器，音响功放
- Medical instrument power supply/医疗仪器电源
- Variable-frequency drive/变频器
- Industrial power supply/工业电源
- Smart home electronics/智能家用电器
- Electrical power equipment/电力设备
- Test instrument/测试仪器

Specifications

Size	Fig.	A (Max.)	B (Max.)	C (Max.)	D (Nom.)	E (Nom.)	E1 (Nom.)	PIN Size	Pins (Optional)	Power (W) ²
SEP7	1	14.0	11.0	9.5	2.5	10.6	-	0.7x0.25	3+3	5-10
	2	15.3	11.0	10.0	3.0	10.75	7.15	0.6x0.3	3+3	
	3	11.0	12.0	12.0	2.5	8.7	5.6	0.4x0.4	4+4	
	4	14.5	11.0	9.5	2.5	10.6	-	0.7x0.3	4+4	
SEP10	4	16.0	12.5	12.5	2.5	12.5	-	0.7x0.3	4+4	10-20
	5	18.0	12.5	13.0	2.5	13.2	9.6	0.7x0.4	4+4	
SEP13	6	18.5	14.0	13.0	2.5	15.4	-	0.7x0.4	5+5	20-40
	7	20.0	14.0	13.0	2.5	15.5	11.8	0.7x0.4	5+5	
	8	17.8	14.5	13.0	1.7/3.4	14.7	-	0.6x0.4	8+4	

1. Operating Temperature: -40°C~+125°C(Includes temperature when the coil is heated).

2. Output power is only for reference at switching frequency 100kHz.

SMT POWER TRANSFORMERS

EP Series

Mechanical

Fig. 1

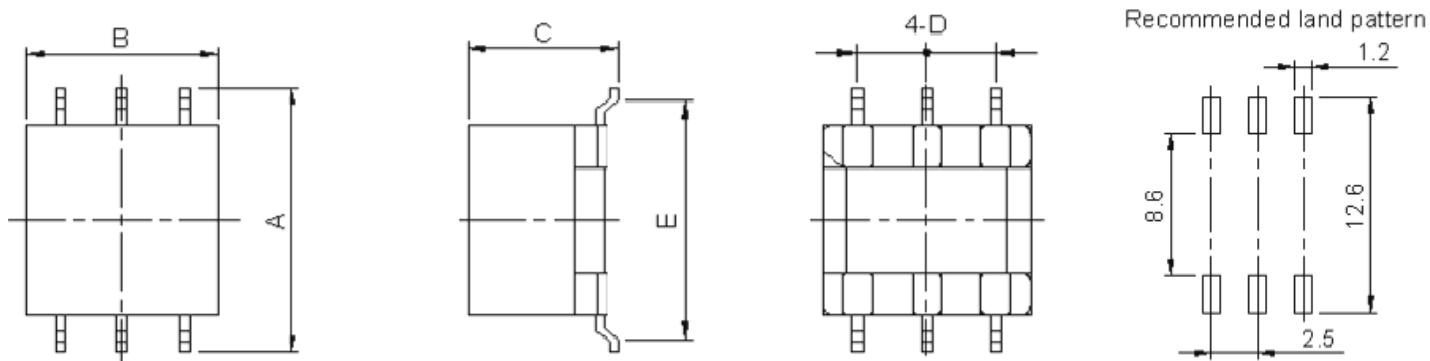


Fig. 2

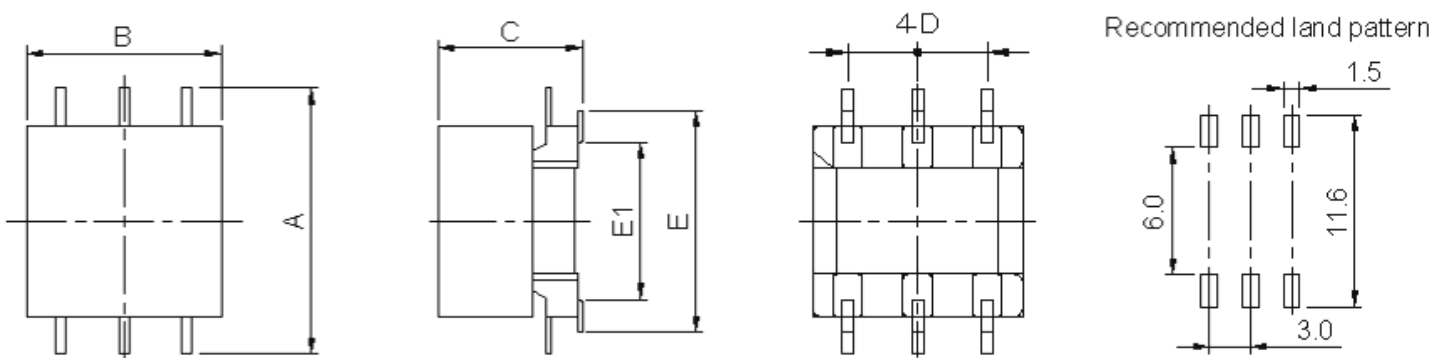


Fig. 3

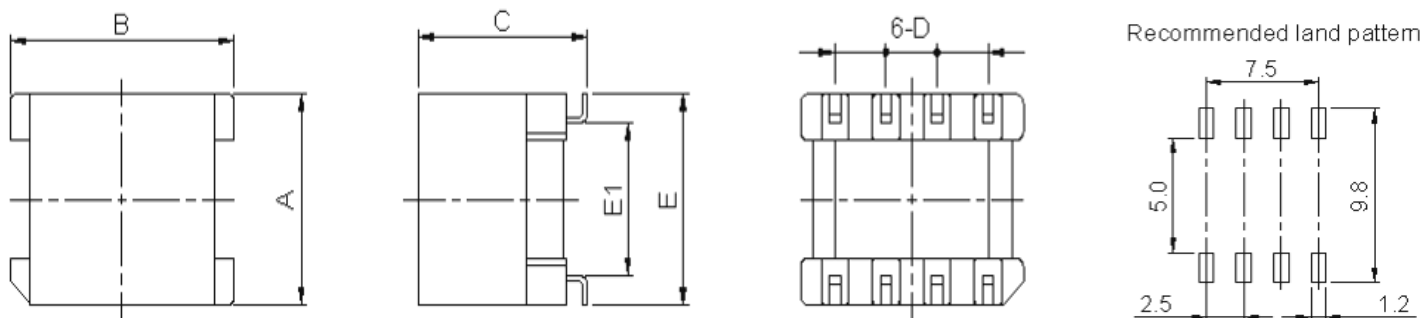
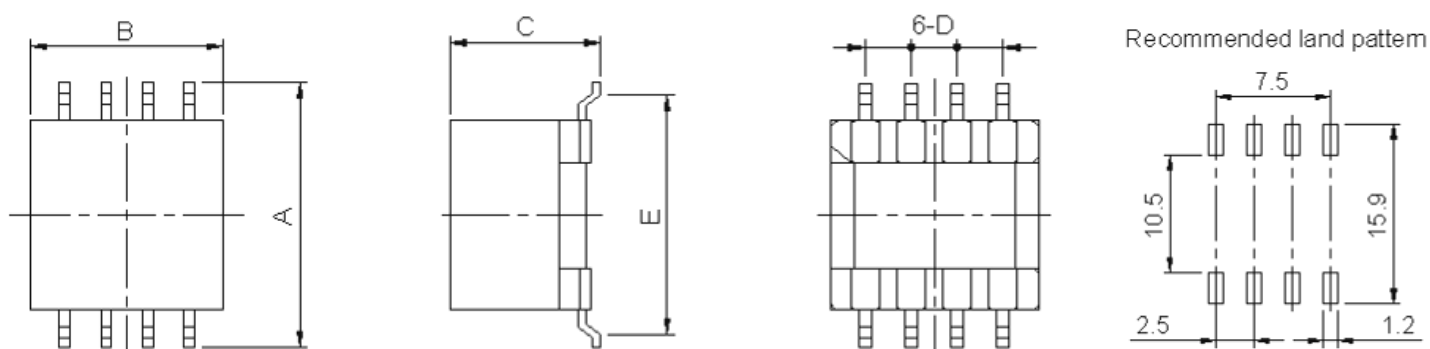


Fig. 4



SMT POWER TRANSFORMERS

EP Series

Fig. 5

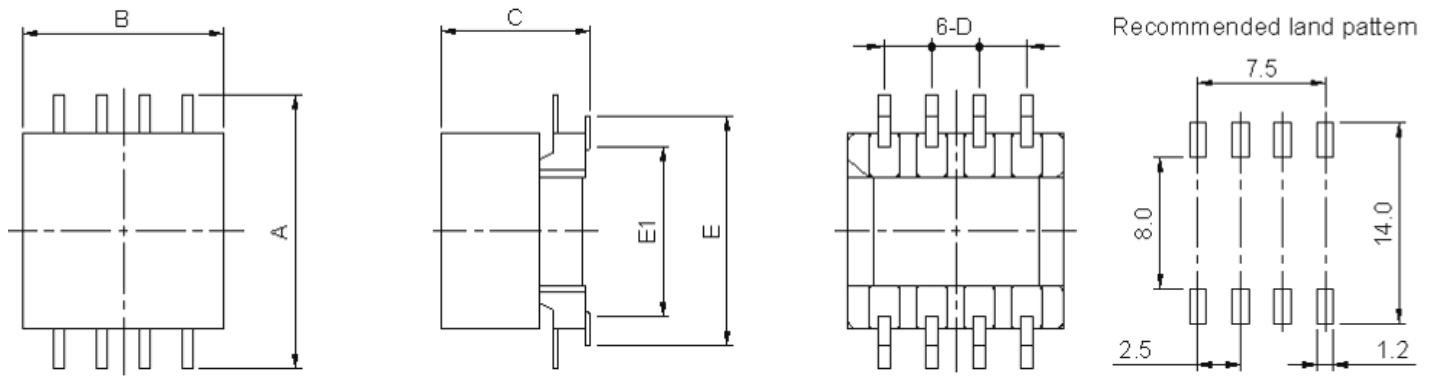


Fig. 6

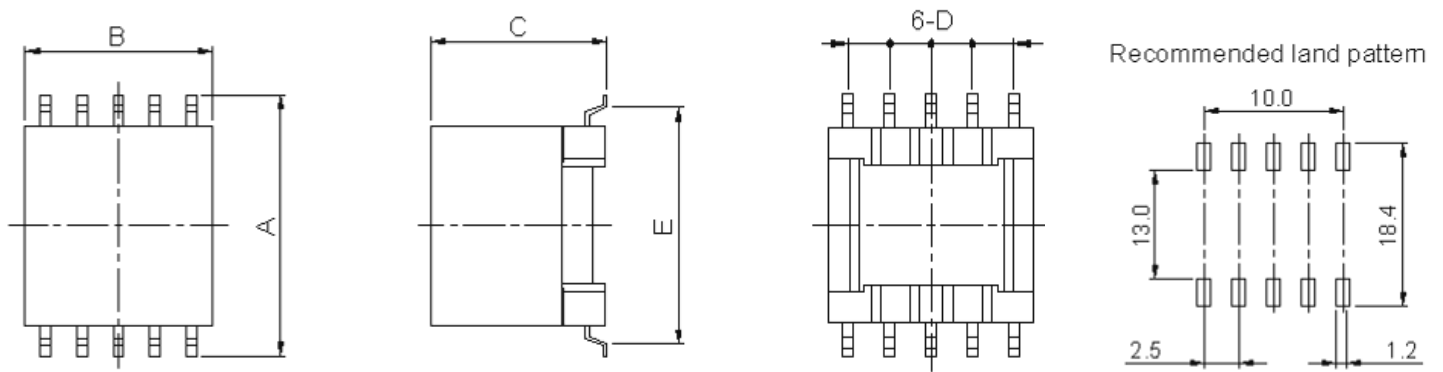


Fig. 7

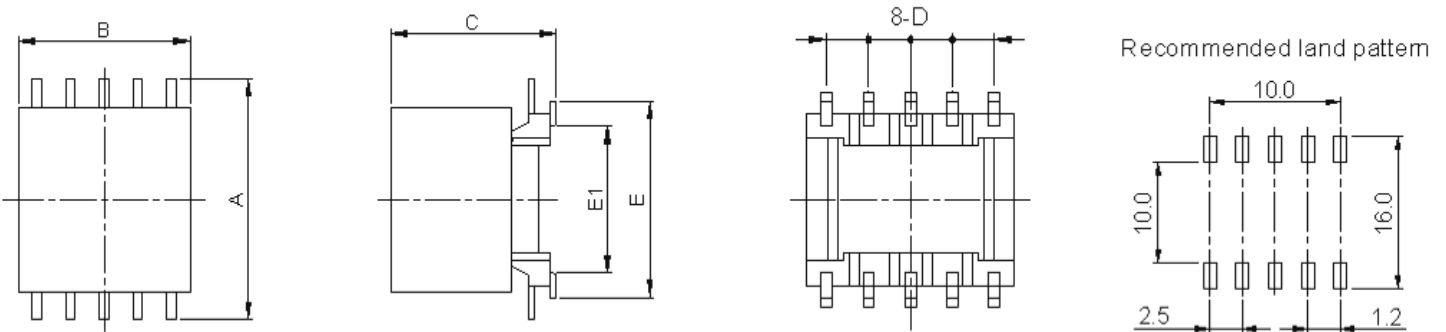
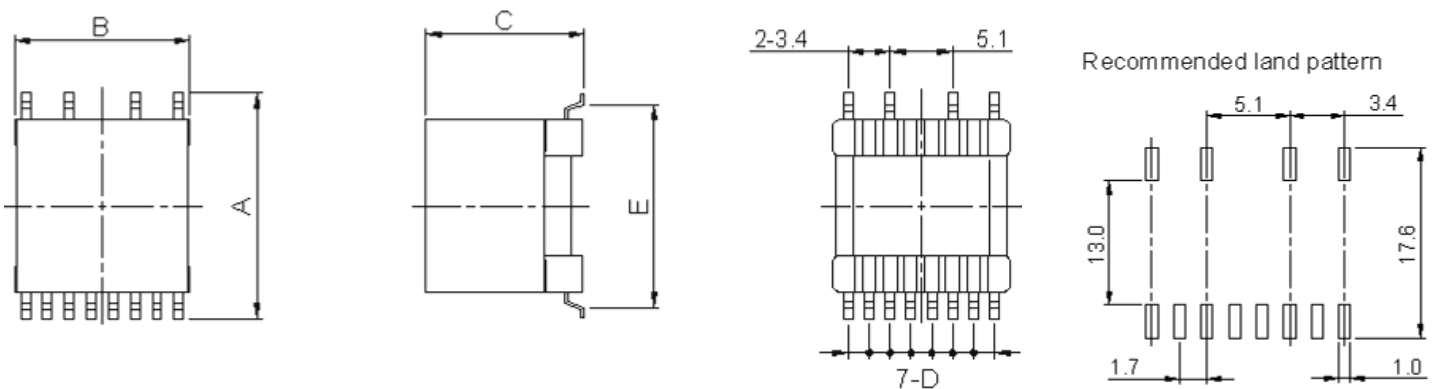


Fig. 8

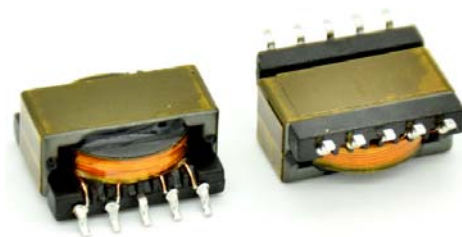


SMT POWER TRANSFORMERS

ER Series

Features

- High power density and high efficiency/高功率密度，高效率
- Multiple-output is available/多路输出
- Low height solution/低高度方案
- Operating frequency up to 500kHz/最大工作频率 500kHz
- Custom designs available/客户定制



Application

- Network, POE, Router/网络产品，POE，路由器
- Solar inverter, Server, Amplifier/太阳能逆变器，服务器，音响功放
- Medical instrument power supply/医疗仪器电源
- Variable-frequency drive/变频器
- Industrial power supply/工业电源
- Smart home electronics/智能家用电器
- Electrical power equipment/电力设备
- Test instrument/测试仪器

Specifications

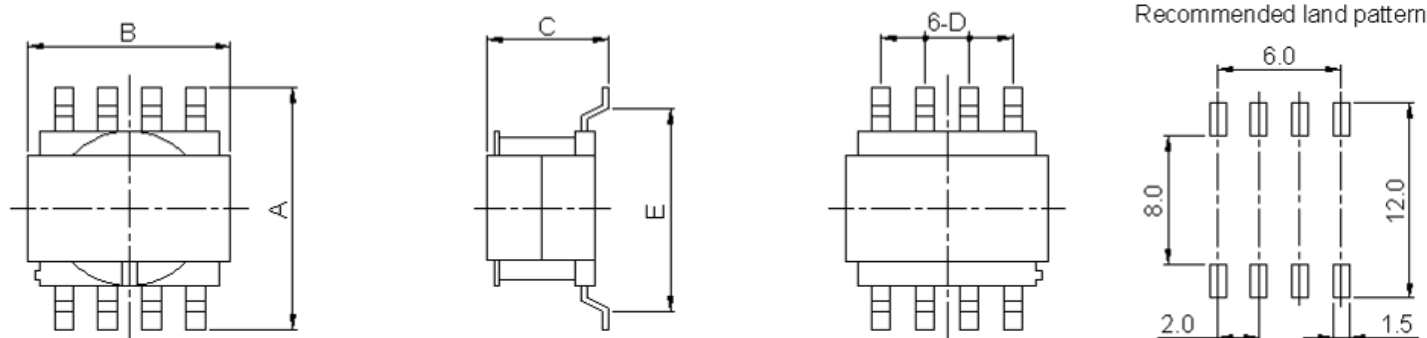
Size	Fig.	A (Max.)	B (Max.)	C (Max.)	D (Nom.)	E (Nom.)	F (Nom.)	Pins (Optional)	fsw (kHz)	Power (W) ²
SER7.5	1	11.0	8.5	6.0	1.75	7.8	0.6x0.25	4+4	100	1-3
SER9.5	1	12.5	10.5	6.5	2.0	10.1	0.7x0.25	4+4	100	3-5
SER11.5	2	13.2	11.5	6.8	2.0	11.0	0.7x0.25	4+4	100	5-8
	3	14.1	11.5	6.8	2.0	11.0	0.7x0.25	5+5	100	
SER14.5	4	17.8	15.8	7.8	2.5	14.6	0.7x0.30	5+5	100	8-15

1. Operating Temperature: -40°C~+125°C(Includes temperature when the coil is heated).

2. Output power is only for reference at switching frequency 100kHz.

Mechanical

Fig. 1



SMT POWER TRANSFORMERS

ER Series

Fig. 2

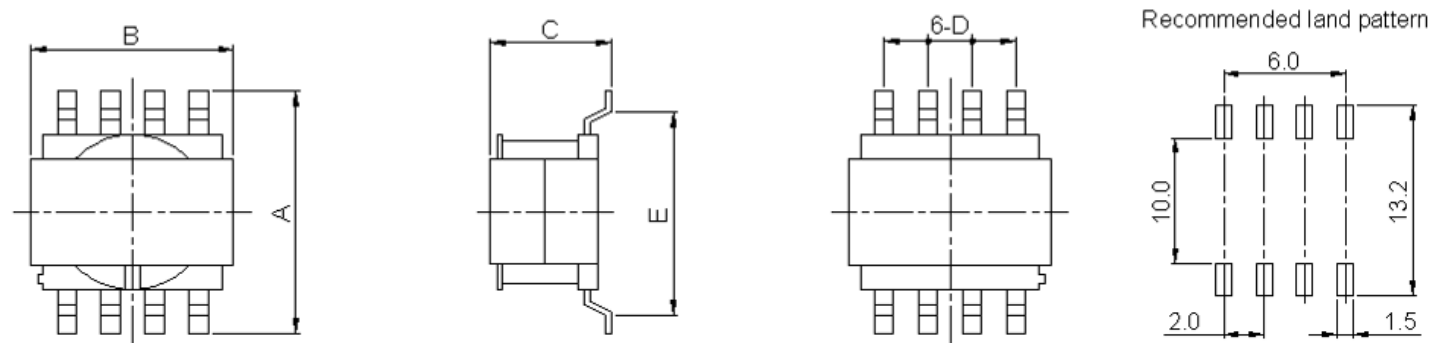


Fig. 3

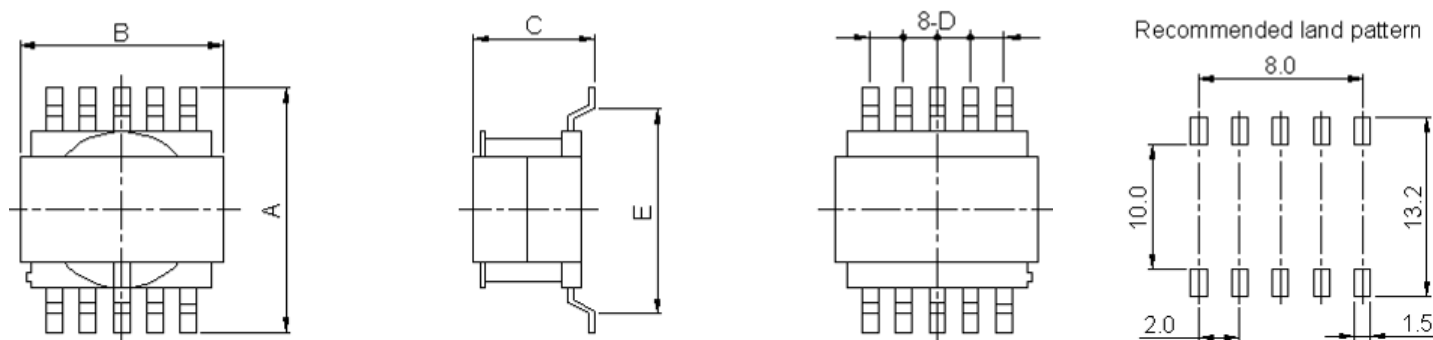
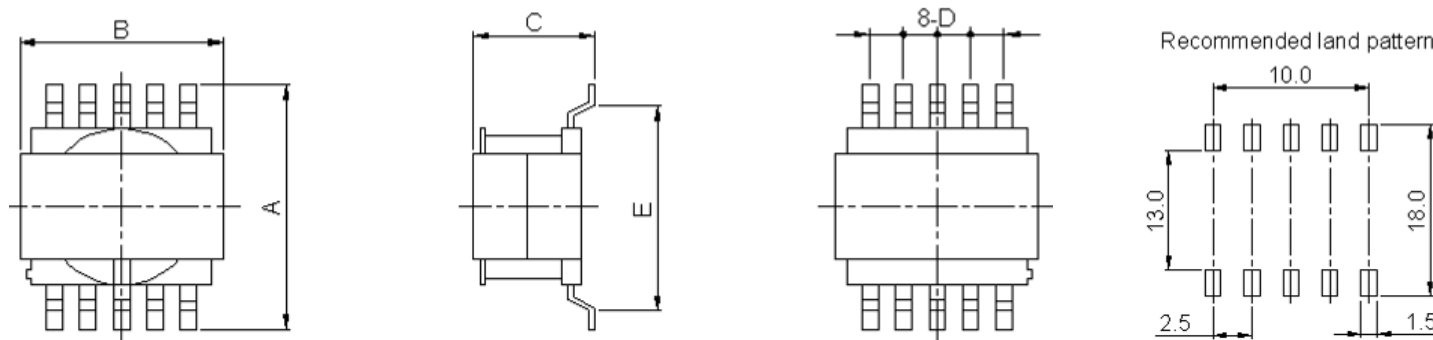


Fig. 4



THT POWER INDUCTORS

Unshielded Drum Core Series

Features

- Low cost inductor/低成本电感
- High inductance is up to 39mH/电感值最大 39mH
- Hot shrinkable tube protection available/热收缩套管保护
- Custom designs available/客户定制



Application

- Switching mode power supply/开关电源

Electrical Specifications @25°C

Ordering Code	Fig.	Inductance @1kHz (μ H Min.)	D.C.R. (Ω Max.)	Saturation Current (A) ²	Temperature Rise Current (A) ³
DR4T-001	1	12.0	0.120	1.60	1.65
DR9T-001	1	15.0	0.070	1.70	2.40
DR7T-002	1	100.0	0.240	0.69	1.20
DR7T-001	1	220.0	0.730	0.70	0.69
DR12T-001	1	390.0	0.350	0.90	1.10
DR8T-001	1	500.0	1.250	0.25	0.52
DR16T-001	1	520.0	0.350	1.60	1.10
DR5T-001	1	1000.0	5.000	0.03	0.24
DR6T-001	1	1000.0	4.000	0.30	0.27
DR10T-001	1	1200.0	0.960	0.65	0.60
DR10T-002	1	1200.0	2.000	0.80	0.41
DR15T-001	1	1600.0	1.200	0.39	0.53
DR8T-002	1	2200.0	5.600	0.25	0.22
DR6T-002	1	39000.0	96.000	0.01	0.02
DR10T-003	1	39000.0	29.000	0.07	0.11
DR4-001	2	12.0	0.120	1.60	1.70
DR9-001	2	15.0	0.070	1.70	2.45
DR7-002	2	100.0	0.240	0.69	1.25
DR7-001	2	220.0	0.730	0.70	0.72
DR12-001	2	390.0	0.350	0.90	1.15
DR8-001	2	500.0	1.250	0.25	0.55
DR16-001	2	520.0	0.350	1.60	1.15
DR5-001	2	1000.0	5.000	0.03	0.28
DR6-001	2	1000.0	4.000	0.30	0.30
DR10-001	2	1200.0	0.960	0.65	0.65
DR10-002	2	1200.0	2.000	0.80	0.45
DR15-001	2	1600.0	1.200	0.39	0.58
DR8-002	2	2200.0	5.600	0.25	0.25
DR6-002	2	39000.0	96.000	0.01	0.03
DR10-003	2	39000.0	29.000	0.07	0.15

1. Operating Temperature: $-40^{\circ}\text{C}\sim+120^{\circ}\text{C}$ (Includes temperature when the coil is heated)
2. Saturation Current: DC current which causes the inductance to drop 30% from the nominal value
3. Temperature Rise Current: DC current which causes the coil temperature rise 40°C ($T_a=20^{\circ}\text{C}$)

THT POWER INDUCTORS

Unshielded Drum Core Series

Mechanical

Fig. 1

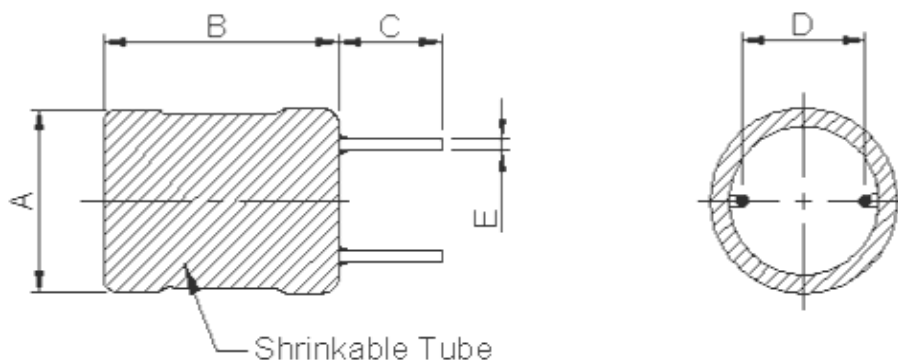
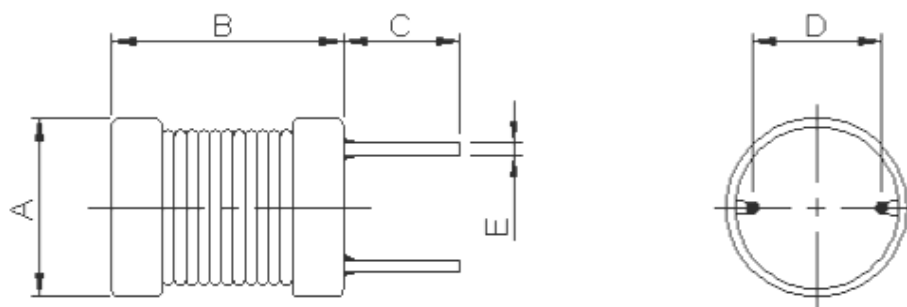


Fig. 2



Dimensions (mm)

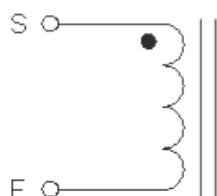
Ordering Code	Fig.	A (Max.)	B (Max.)	C (Nom.)	D (Max.)	E (Nom.)
DR4T-001	1	6.0	8.5	5.0	2.0	0.5
DR9T-001	1	11.0	14.5	5.0	5.0	0.8
DR7T-002	1	9.0	11.5	5.0	5.0	0.6
DR7T-001	1	9.0	9.5	5.0	5.0	0.6
DR12T-001	1	14.0	17.5	5.0	7.5	0.8
DR8T-001	1	10.0	10.5	5.0	5.0	0.6
DR16T-001	1	18.0	20.5	5.0	9.5	0.8
DR5T-001	1	7.0	9.5	5.0	2.5	0.6
DR6T-001	1	8.0	10.5	5.0	3.0	0.6
DR10T-001	1	12.0	14.5	5.0	5.0	0.8
DR10T-002	1	12.0	17.5	5.0	7.0	0.8
DR15T-001	1	17.0	20.5	5.0	10.0	0.8
DR8T-002	1	10.0	12.5	5.0	5.0	0.6
DR6T-002	1	8.0	12.5	5.0	3.0	0.6
DR10T-003	1	12.0	18.5	5.0	7.0	0.8

THT POWER INDUCTORS

Unshielded Drum Core Series

DR4-001	2	5.0	7.0	5.0	2.0	0.5
DR9-001	2	10.0	13.0	5.0	5.0	0.8
DR7-002	2	8.0	10.0	5.0	5.0	0.6
DR7-001	2	8.0	8.0	5.0	5.0	0.6
DR12-001	2	13.0	16.0	5.0	7.5	0.8
DR8-001	2	9.0	9.0	5.0	5.0	0.6
DR16-001	2	17.0	19.0	5.0	9.5	0.8
DR10-001	2	11.0	13.0	5.0	5.0	0.8
DR10-002	2	11.0	16.0	5.0	7.0	0.8
DR15-001	2	16.0	19.0	5.0	10.0	0.8
DR8-002	2	9.0	11.0	5.0	5.0	0.6
DR6-002	2	7.0	11.0	5.0	3.0	0.6
DR10-003	2	11.0	17.0	5.0	7.0	0.8

Schematic



THT POWER INDUCTORS

Toroidal Series

Features

- Low cost inductor/低成本电感
- Good saturation current/好的饱和电流
- Frequency up to 1MHz/最大频率 1MHz
- Custom designs available/客户定制

Application

- Switching mode power supply/开关电源



Electrical Specifications @25°C

Ordering Code	Fig.	Inductance @1kHz (μH Min.)	D.C.R. (Ω Max.)	Saturation Current (A) ²	Temperature Rise Current (A) ³
TV32-001	1	35.0	0.030	8.00	5.80
TV38-001	1	50.0	0.020	11.20	6.20
TV39-001	1	50.0	0.010	16.00	6.70
TV30-002	1	55.0	0.020	7.20	6.20
TV19-002	1	60.0	0.050	1.50	4.50
TV30-003	1	68.0	0.300	4.40	0.80
TV25-001	1	90.0	0.030	4.80	5.80
TV15-001	1	120.0	0.300	0.90	1.10
TV21-001	1	120.0	0.050	0.03	4.50
TV18-001	1	300.0	0.600	1.00	0.80
TV28-001	1	350.0	0.080	3.20	2.40
TV28-002	1	650.0	0.150	2.40	1.40
TV30-001	1	730.0	0.200	6.40	1.20
TV17-001	1	1700.0	0.200	1.00	1.20
TV19-001	1	10000.0	0.500	1.60	1.00
TVB29-001	2	40.0	0.020	7.20	6.10
TVB29-003	2	55.0	0.020	7.20	6.10
TVB26-002	2	62.0	0.120	3.80	1.60
TVB29-002	2	70.0	0.020	4.80	6.10
TVB26-001	2	90.0	0.030	4.80	5.70
TVB36-001	2	100.0	0.030	6.80	5.70
TVB28-002	2	270.0	0.080	3.70	2.20
TVB28-004	2	380.0	0.080	3.70	2.30
TVB49-001	2	400.0	0.100	4.50	1.80
TVB28-001	2	650.0	0.150	2.40	1.30
TVB28-005	2	700.0	0.180	1.50	1.00
TVB28-003	2	1000.0	0.220	1.50	0.70
TVP29-001	3	40.0	0.020	7.20	6.10
TVP29-003	3	55.0	0.020	7.20	6.10
TVP26-002	3	62.0	0.120	3.80	1.60
TVP29-002	3	70.0	0.020	4.80	6.10
TVP26-001	3	90.0	0.030	4.80	5.70

THT POWER INDUCTORS

Toroidal Series

TVP36-001	3	100.0	0.030	6.80	5.70
TVP28-002	3	270.0	0.080	3.70	2.20
TVP28-004	3	380.0	0.080	3.70	2.30
TVP49-001	3	400.0	0.100	4.50	1.80
TVP28-001	3	650.0	0.150	2.40	1.30
TVP28-005	3	700.0	0.180	1.50	1.00
TVP28-003	3	1000.0	0.220	1.50	0.70
THB18-001	4	45.0	0.040	1.50	4.90
THB40-001	4	550.0	0.070	4.10	2.60
TH19-001	5	20.0	0.020	8.80	6.20
TH18-001	5	35.0	0.040	1.50	5.00
TH17-001	5	100.0	0.100	0.90	1.90
TH40-001	5	650.0	0.070	4.10	2.60

1. Operating Temperature: $-40^{\circ}\text{C}\sim+120^{\circ}\text{C}$ (Includes temperature when the coil is heated)
2. Saturation Current: DC current which causes the inductance to drop 30% from the nominal value
3. Temperature Rise Current: DC current which causes the coil temperature rise 40°C ($T_a=20^{\circ}\text{C}$)

Mechanical

Fig. 1

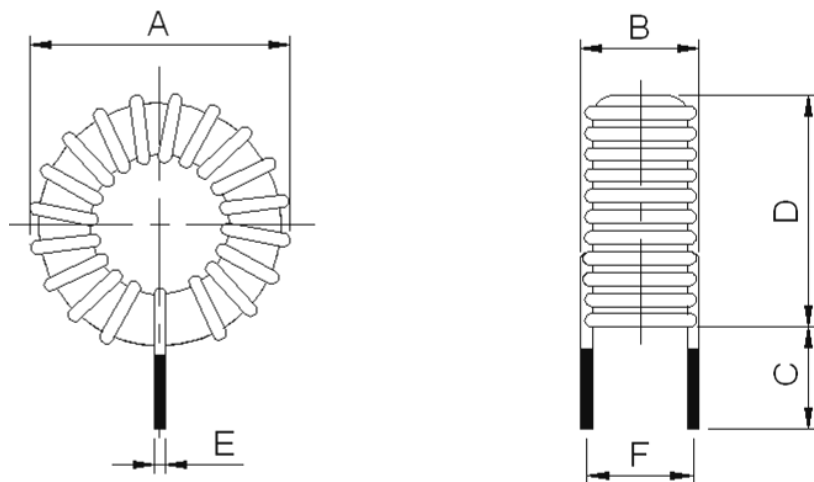
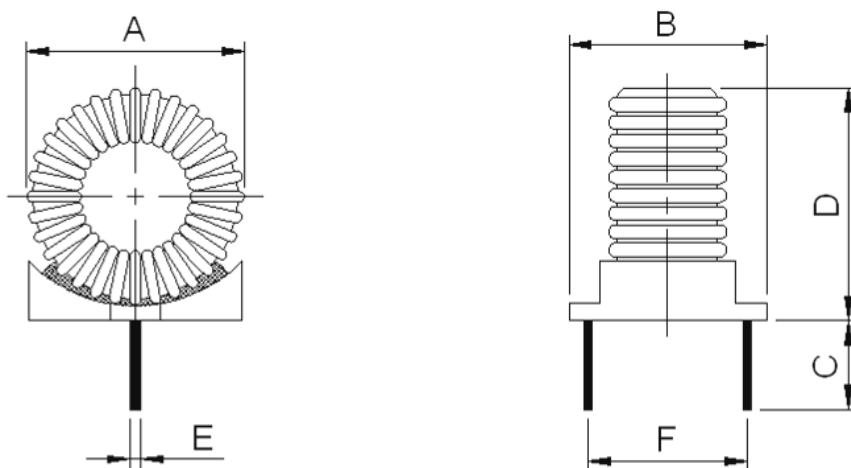


Fig. 2



THT POWER INDUCTORS

Toroidal Series

Fig. 3

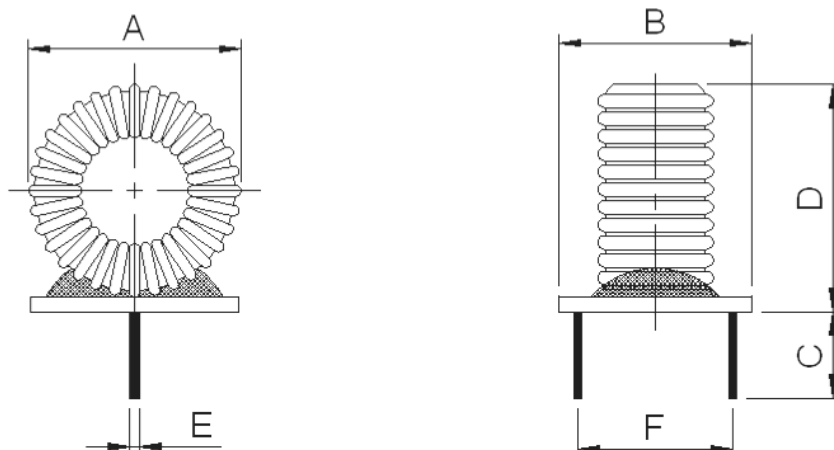


Fig. 4

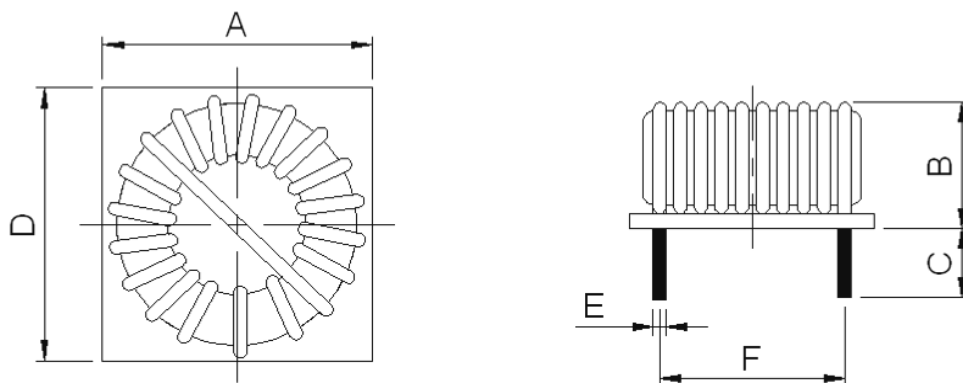
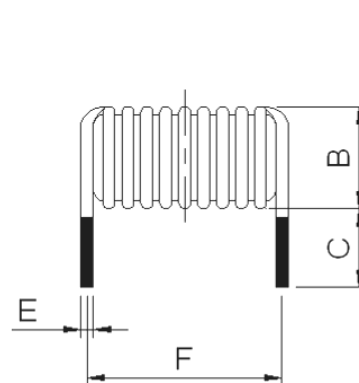
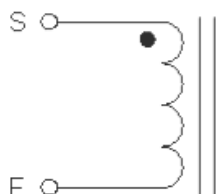


Fig. 5



Schematic



THT POWER INDUCTORS

Toroidal Series

Dimensions (mm)

Ordering Code	Fig.	A (Max.)	B (Max.)	C (Nom.)	D (Max.)	E (Nom.)	F (Nom.)
TV32-001	1	36.0	21.0	5.0	36.0	2.0	19.0
TV38-001	1	44.0	26.0	5.0	44.0	2.2	24.0
TV39-001	1	45.0	39.0	5.0	45.0	3.6	35.0
TV30-002	1	35.0	14.0	5.0	35.0	1.6	12.0
TV19-0002	1	23.0	13.0	5.0	23.0	1.1	8.0
TV30-003	1	35.0	25.0	5.0	35.0	3.8	13.0
TV25-001	1	29.0	22.0	5.0	29.0	1.3	19.0
TV15-001	1	17.0	10.0	5.0	17.0	0.6	7.0
TV21-001	1	25.0	11.0	5.0	25.0	0.7	9.0
TV18-001	1	22.0	12.0	5.0	22.0	0.8	10.0
TV28-001	1	34.0	18.0	5.0	34.0	1.1	18.0
TV28-002	1	34.0	21.0	5.0	34.0	1.1	18.0
TV30-001	1	35.0	20.0	5.0	35.0	0.8	17.0
TV17-001	1	19.0	12.0	5.0	19.0	0.8	9.5
TV19-001	1	23.0	12.0	5.0	23.0	0.6	11.0
TVB29-001	2	36.0	17.0	5.0	38.0	1.6	15.0
TVB29-003	2	36.0	17.0	5.0	39.0	1.6	15.0
TVB26-002	2	29.0	15.0	5.0	31.0	1.2	13.0
TVB29-002	2	36.0	20.0	5.0	39.0	3.2	17.0
TVB26-001	2	29.0	23.0	5.0	31.0	1.5	20.0
TVB36-001	2	44.0	30.0	5.0	47.0	1.5	27.0
TVB28-002	2	35.0	21.0	5.0	36.0	1.2	18.0
TVB28-004	2	35.0	23.0	5.0	39.0	1.3	20.0
TVB49-001	2	54.0	24.0	5.0	59.0	1.3	21.0
TVB28-001	2	35.0	22.0	5.0	37.0	1.2	19.0
TVB28-005	2	35.0	22.0	5.0	38.0	1.0	19.0
TVB28-003	2	35.0	21.0	5.0	38.0	1.0	18.0
TVP29-001	3	36.0	17.0	5.0	38.0	1.6	15.0
TVP29-003	3	36.0	17.0	5.0	39.0	1.6	15.0
TVP26-002	3	29.0	15.0	5.0	31.0	1.2	13.0
TVP29-002	3	36.0	20.0	5.0	39.0	3.2	17.0
TVP26-001	3	29.0	23.0	5.0	31.0	1.5	20.0
TVP36-001	3	44.0	30.0	5.0	47.0	1.5	27.0
TVP28-002	3	35.0	21.0	5.0	36.0	1.2	18.0
TVP28-004	3	35.0	23.0	5.0	39.0	1.3	20.0
TVP49-001	3	54.0	24.0	5.0	59.0	1.3	21.0
TVP28-001	3	35.0	22.0	5.0	37.0	1.2	19.0
TVP28-005	3	35.0	22.0	5.0	38.0	1.0	19.0
TVP28-003	3	35.0	21.0	5.0	38.0	1.0	18.0
THB18-001	4	20.0	14.0	5.0	20.0	0.9	18.5
THB40-001	4	42.0	30.0	5.0	42.0	1.6	44.0
TH19-001	5	21.0	23.0	5.0	21.0	1.6	29.0
TH18-001	5	20.0	14.0	5.0	20.0	0.9	18.5
TH17-001	5	19.0	12.0	5.0	19.0	0.8	14.0
TH40-001	5	44.0	29.0	5.0	44.0	1.6	44.0

THT COMMON MODE CHOKES

ET Series – Horizontal

Features

- Inductance is up to 80mH/最大电感值 80mH
- 1500Vrms isolation between windings/耐压 1500Vrms
- Wide range of inductance and current available/宽范围电感和电流



Application

- Switching mode power supply/开关电源

Electrical Specifications @25°C

Type	Ordering Code	Inductance @1kHz (mH Min.)	D.C.R. (Ω Max.)	I _{rated} (A) ²
ET24H	ET24H-001	3.3	0.110	2.30
	ET24H-002	6.8	0.170	1.70
	ET24H-003	8.2	0.180	1.60
	ET24H-004	15.0	0.390	1.00
	ET24H-005	20.0	0.400	0.95
	ET24H-006	39.0	1.000	0.67
	ET24H-007	47.0	1.000	0.67
	ET24H-008	68.0	2.000	0.45
	ET24H-009	80.0	2.100	0.43
ET28H	ET28H-001	1.8	0.080	2.50
	ET28H-002	6.8	0.230	1.60
	ET28H-003	12.0	0.380	1.20
	ET28H-004	22.0	0.650	1.00
	ET28H-005	39.0	1.450	0.70
	ET28H-006	68.0	1.850	0.60
	ET28H-007	80.0	2.200	0.40
ET35H	ET35H-001	5.0	0.060	6.00
	ET35H-002	10.0	0.120	3.00
	ET35H-003	39.0	0.350	2.20
	ET35H-004	47.0	0.500	1.60
	ET35H-005	80.0	0.700	1.20

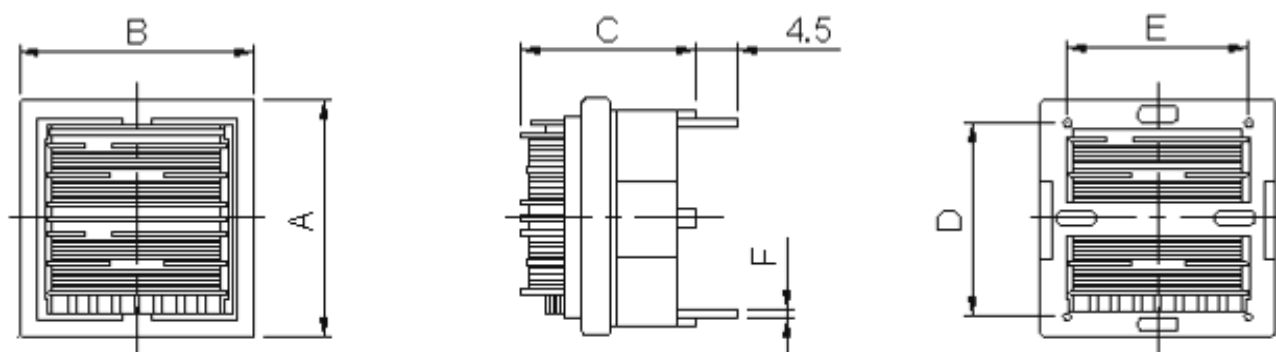
1. Operating Temperature: -40°C~+120°C (Includes temperature when the coil is heated)

2. I_{rated}: DC current which causes the coil temperature rise 40°C (T_a=20°C)

THT COMMON MODE CHOKES

ET Series – Horizontal

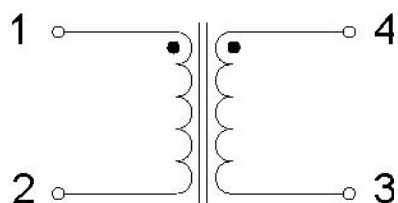
Mechanical



Dimensions (mm)

Ordering Code	A (Max.)	B (Max.)	C (Nom.)	D (Max.)	E (Nom.)	F (Nom.)
ET24H	25.0	25.0	20.0	21.0	15.0	Φ0.8
ET28H	31.0	31.0	25.0	24.0	20.0	Φ0.8
ET35H	38.0	38.0	30.0	30.0	25.0	Φ1.2

Schematic



THT COMMON MODE CHOKES

ET Series –Vertical

Features

- Inductance is up to 80mH/最大电感值 80mH
- 1500Vrms isolation between windings/耐压 1500Vrms
- Wide range of inductance and current available/宽范围电感和电流



Application

- Switching mode power supply/开关电源

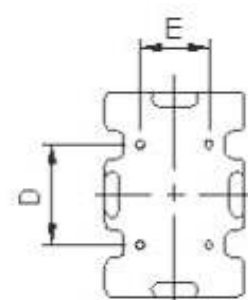
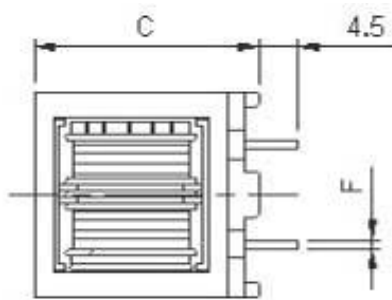
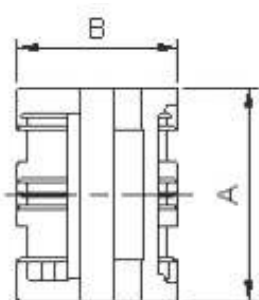
Electrical Specifications @25°C

Type	Ordering Code	Inductance @1kHz (mH Min.)	D.C.R. (Ω Max.)	I _{rated} (A) ²
ET24	ET24-0001	3.3	0.110	2.30
	ET24-002	6.8	0.170	1.70
	ET24-003	8.2	0.180	1.60
	ET24-004	15.0	0.390	1.00
	ET24-005	20.0	0.400	0.95
	ET24-006	39.0	1.000	0.67
	ET24-007	47.0	1.000	0.67
	ET24-008	68.0	2.000	0.45
	ET24-009	80.0	2.100	0.43
ET28	ET28-001	1.8	0.080	2.50
	ET28-002	6.8	0.230	1.60
	ET28-003	12.0	0.380	1.20
	ET28-004	22.0	0.650	1.00
	ET28-005	39.0	1.450	0.70
	ET28-006	68.0	1.850	0.60
	ET28-007	80.0	2.200	0.40
ET35	ET35-001	5.0	0.060	6.00
	ET35-002	10.0	0.120	3.00
	ET35-003	39.0	0.350	2.20
	ET35-004	47.0	0.500	1.60
	ET35-005	80.0	0.700	1.20

1. Operating Temperature: -40°C~+120°C(Includes temperature when the coil is heated)

2. I_{rated}: DC current which causes the coil temperature rise 40°C (T_a=20°C)

Mechanical



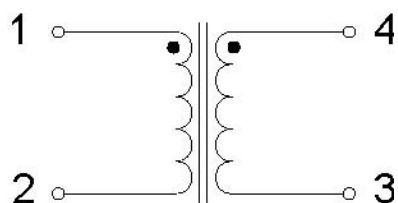
THT COMMON MODE CHOKES

ET Series –Vertical

Dimensions (mm)

Ordering Code	A (Max.)	B (Max.)	C (Nom.)	D (Max.)	E (Nom.)	F (Nom.)
ET24	26.0	19.0	32.0	13.0	10.0	Φ0.8
ET28	31.0	23.0	37.0	13.0	10.0	Φ0.8
ET35	38.0	27.0	44.0	21.0	15.0	Φ1.2

Schematic

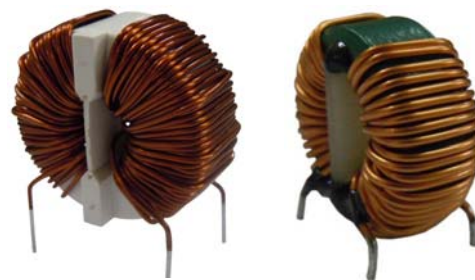


THT COMMON MODE CHOKES

Toroidal Series

Features

- Inductance is up to 68mH/最大电感值 68mH
- 1500Vrms isolation between windings/耐压 1500Vrms
- Wide range of inductance and current available/宽范围电感和电流



Application

- Switching mode power supply/开关电源

Electrical Specifications @25°C

Type	Fig.	Inductance @1kHz (mH Min.)	D.C.R. (Ω Max.)	I _{rated} (A) ²
TCC-001	1	0.24	0.005	14.40
TCC-002	1	0.55	0.006	12.00
TCC-003	1	0.98	0.009	11.00
TCC-004	1	1.30	0.014	9.80
TCC-005	1	2.20	0.020	6.00
TCC-006	1	3.30	0.030	5.00
TCC-007	1	4.60	0.045	4.00
TCC-008	1	6.80	0.100	2.80
TCC-009	1	8.00	0.110	2.50
TCC-010	1	10.00	0.140	2.10
TC16-001	2	0.20	0.080	3.00
TC12-001	2	0.80	0.020	6.00
TC25-002	2	0.90	0.020	6.00
TC25-003	2	3.50	0.050	4.00
TC20-001	2	4.90	0.080	3.00
TC18-001	2	6.00	0.050	4.00
TC16-002	2	13.00	0.025	5.50
TC38-001	2	15.00	0.070	3.50
TC25-001	2	68.00	1.300	0.70

1. Operating Temperature: -40°C~+120°C(Includes temperature when the coil is heated)

2. I_{rated}: DC current which causes the coil temperature rise 40°C(T_a=20°C)

THT COMMON MODE CHOKES

Toroidal Series

Mechanical

Fig. 1

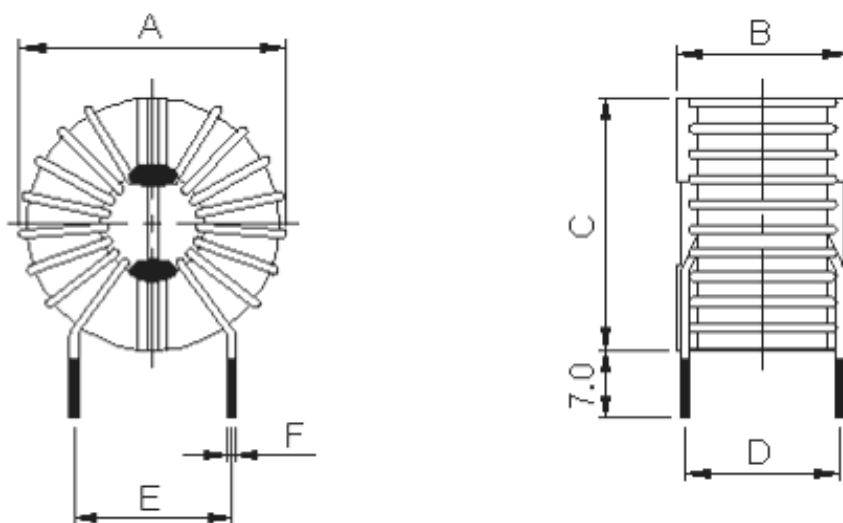
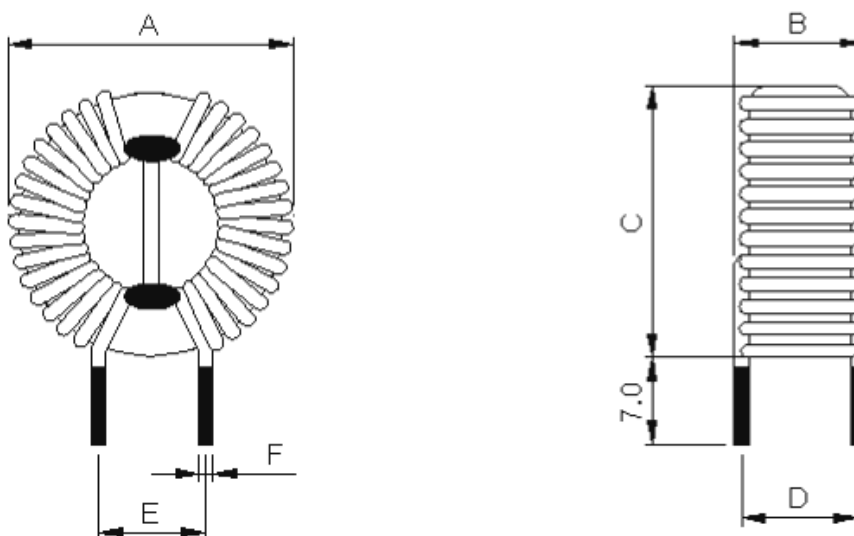


Fig. 2



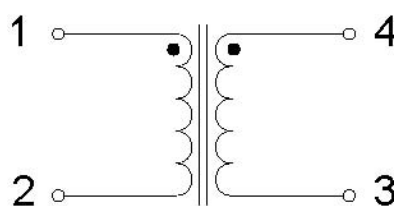
THT COMMON MODE CHOKES

Toroidal Series

Dimensions (mm)

Ordering Code	Fig.	A (Max.)	B (Max.)	C (Nom.)	D (Max.)	E (Nom.)	F (Nom.)
TCC-001	1	35.0	21.0	34.0	18.0	11.0	Φ1.5
TCC-002	1	35.0	21.0	34.0	18.0	11.0	Φ1.5
TCC-003	1	35.0	20.0	33.0	17.0	11.0	Φ1.2
TCC-004	1	35.0	20.0	33.0	17.0	11.0	Φ1.1
TCC-005	1	34.0	20.0	32.0	17.0	10.0	Φ1.0
TCC-006	1	33.0	20.0	32.0	17.0	10.0	Φ0.9
TCC-007	1	33.0	20.0	32.0	17.0	10.0	Φ0.8
TCC-008	1	32.0	20.0	31.0	17.0	10.0	Φ0.6
TCC-009	1	32.0	20.0	31.0	17.0	10.0	Φ0.6
TCC-010	1	32.0	20.0	31.0	17.0	10.0	Φ0.5
TC16-001	1	22.0	14.0	22.0	11.0	12.0	Φ1.0
TC12-001	2	16.0	8.0	16.0	6.0	10.0	Φ0.6
TC25-002	2	31.0	18.0	31.0	16.0	18.0	Φ1.3
TC25-003	2	31.0	18.0	31.0	16.0	18.0	Φ1.0
TC20-001	2	25.0	17.0	25.0	11.0	10.0	Φ0.7
TC18-001	2	23.0	13.0	23.0	10.0	5.0	Φ0.7
TC16-002	2	22.0	14.0	22.0	11.0	12.0	Φ0.4
TC38-001	2	51.0	29.0	51.0	25.0	35.0	Φ1.1
TC25-001	2	27.0	19.0	27.0	16.0	20.0	Φ0.3

Schematic

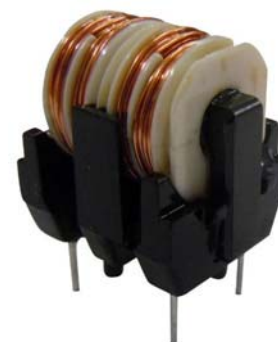


THT COMMON MODE CHOKES

UT Series

Features

- Inductance is up to 47mH/最大电感值 47mH
- 1500Vrms isolation between windings/耐压 1500Vrms
- Wide range of inductance and current available/宽范围电感和电流



Application

- Switching mode power supply/开关电源

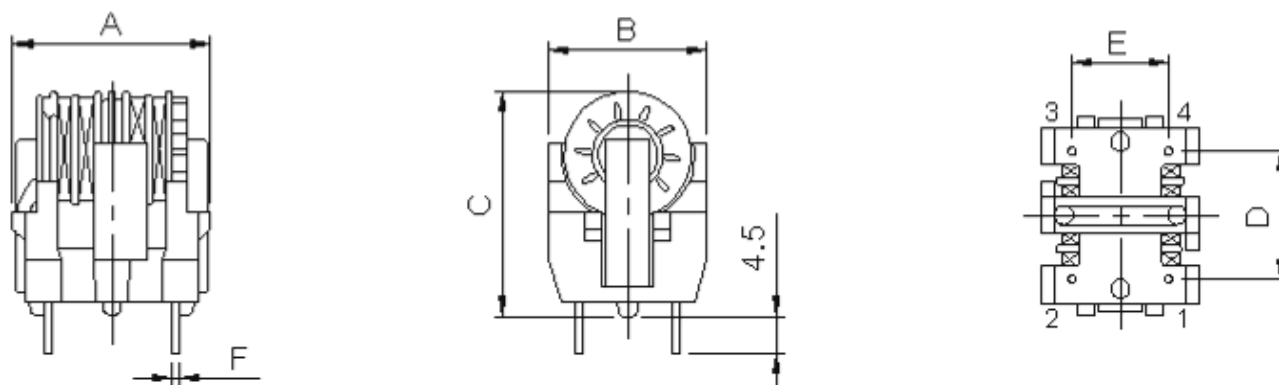
Electrical Specifications @25°C

Type	Ordering Code	Inductance @1kHz (mH Min.)	D.C.R. (Ω Max.)	I _{rated} (A) ²
UT20	UT20-001	0.33	0.030	3.20
	UT20-002	0.47	0.050	2.60
	UT20-003	0.68	0.070	2.20
	UT20-004	1.00	0.080	1.80
	UT20-005	2.20	0.240	1.30
	UT20-006	3.90	0.400	1.00
	UT20-007	10.00	1.000	0.60
	UT20-008	22.00	2.050	0.40
	UT20-009	33.00	3.400	0.30
	UT20-010	47.00	3.800	0.25

1. Operating Temperature: -40°C~+120°C (Includes temperature when the coil is heated)

2. I_{rated}: DC current which causes the coil temperature rise 40°C (T_a=20°C)

Mechanical



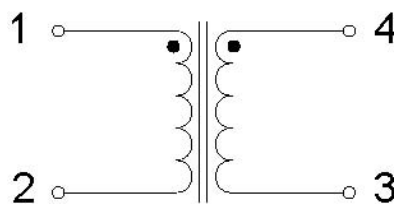
THT COMMON MODE CHOKES

UT Series

Dimensions (mm)

Ordering Code	A (Max.)	B (Max.)	C (Nom.)	D (Max.)	E (Nom.)	F (Nom.)
UT20	23.0	18.0	23.0	13.0	10.0	Φ0.8

Schematic



THT COMMON MODE CHOKES

UU Series

Features

- Inductance is up to 50mH/最大电感值 50mH
- 1500Vrms isolation between windings/耐压 1500Vrms
- Wide range of inductance and current available/宽范围电感和电流



Application

- Switching mode power supply/开关电源

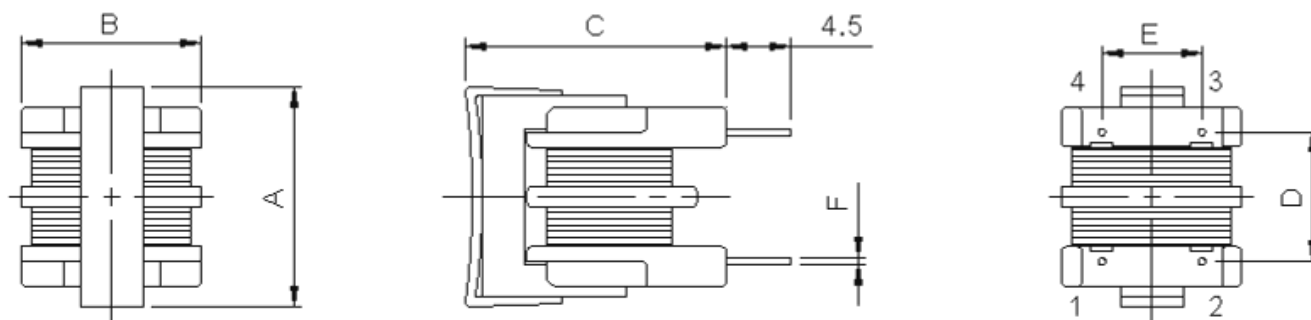
Electrical Specifications @25°C

Type	Ordering Code	Inductance @1kHz (mH Min.)	D.C.R. (Ω Max.)	I _{rated} (A) ²
UU9.8	UU9.8-001	0.47	0.150	1.00
	UU9.8-002	0.68	0.250	0.85
	UU9.8-003	1.00	0.350	0.70
	UU9.8-004	2.20	0.700	0.50
	UU9.8-005	4.70	1.600	0.34
	UU9.8-006	6.80	2.500	0.25
	UU9.8-007	10.00	4.000	0.20
UU10.5	UU10.5-001	3.30	0.720	0.65
	UU10.5-002	6.80	1.260	0.43
	UU10.5-003	12.00	2.200	0.34
	UU10.5-004	22.00	3.640	0.25
	UU10.5-005	33.00	5.740	0.20
	UU10.5-006	50.00	9.200	0.15
UU16	UU16-001	1.50	0.130	1.85
	UU16-002	4.00	0.270	1.20
	UU16-003	8.00	0.460	0.90
	UU16-004	20.00	1.600	0.50
	UU16-005	30.00	2.500	0.40

1. Operating Temperature: -40°C~+120°C(Includes temperature when the coil is heated)

2. I_{rated}: DC current which causes the coil temperature rise 40°C(T_a=20°C)

Mechanical



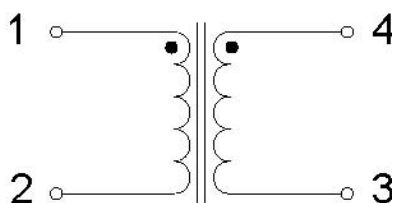
THT COMMON MODE CHOKES

UU Series

Dimensions (mm)

Ordering Code	A (Max.)	B (Max.)	C (Nom.)	D (Max.)	E (Nom.)	F (Nom.)
UU9.8	18.0	12.0	17.0	8.0	7.0	Φ0.6
UU10.5	19.0	18.0	24.0	13.0	10.0	Φ0.7
UU16	24.0	21.0	29.0	13.0	10.0	Φ0.7

Schematic



SMT COMMON MODE CHOKES

Toroidal series

Features

- 1500Vrms isolation between windings/耐压 1500Vrms
- Wide range of inductance and current available/宽范围电感和电流

Application

- Switching mode power supply/开关电源



Specifications

Size	Fig	A (Max)	B (Max)	C (Max)	D (Nom)	E (Nom)
4L3-B	1	13.50	13.50	5.50	8.38	10.41
4L4-A	2	14.50	16.50	9.00	8.64	13.46
4L4-B	2	15.00	18.50	10.00	9.40	15.49
4L4-C	2	17.50	19.60	10.00	11.30	16.76
4L7	3	31.50	25.50	12.90	15.24	27.86

1. Operating temperature -40°C to 110°C , storage temperature -40°C to 125°C

Mechanical

Fig. 1

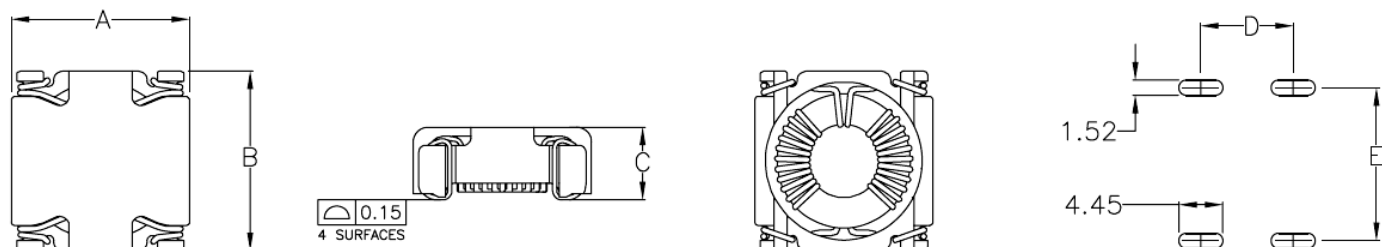
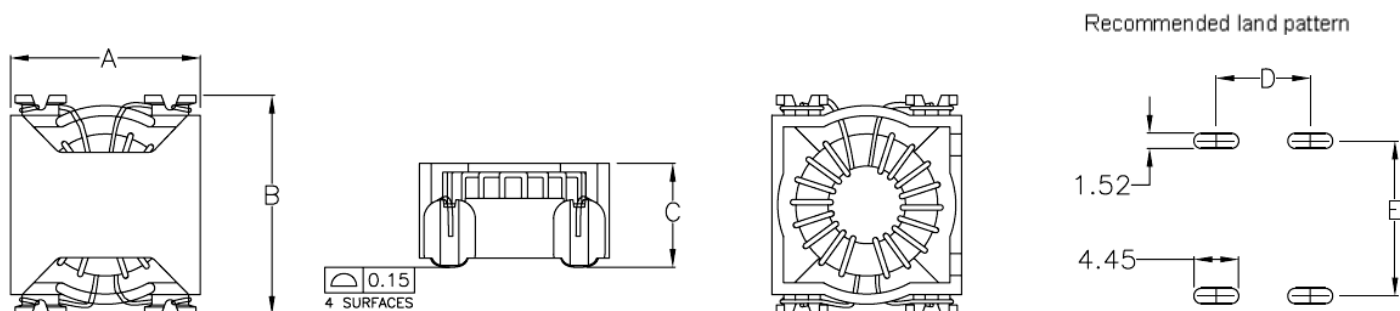


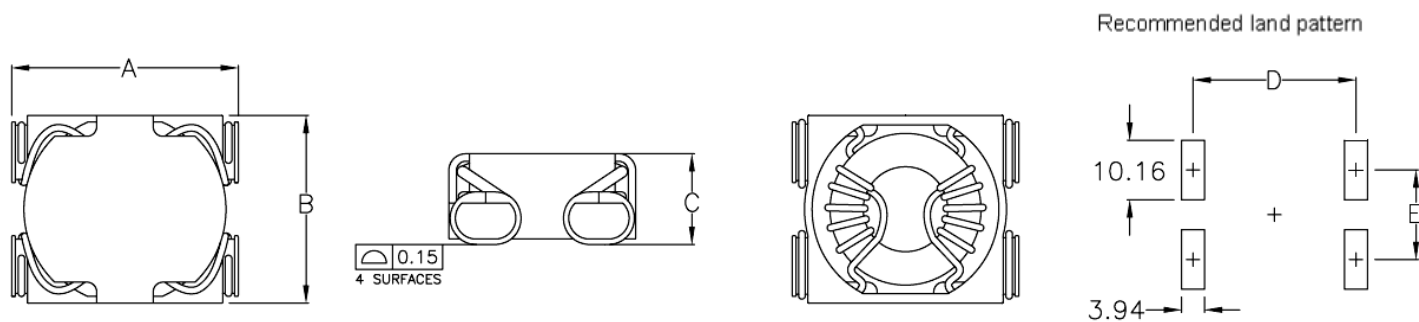
Fig. 2



SMT COMMON MODE CHOKES

Toroidal series

Fig. 3



LAMINATED TRANSFORMES

Toroidal Series

Features

- Operating frequency 50Hz/60Hz
- Power up to 3000W
- High efficiency and low loss
- Custom designs available



Application

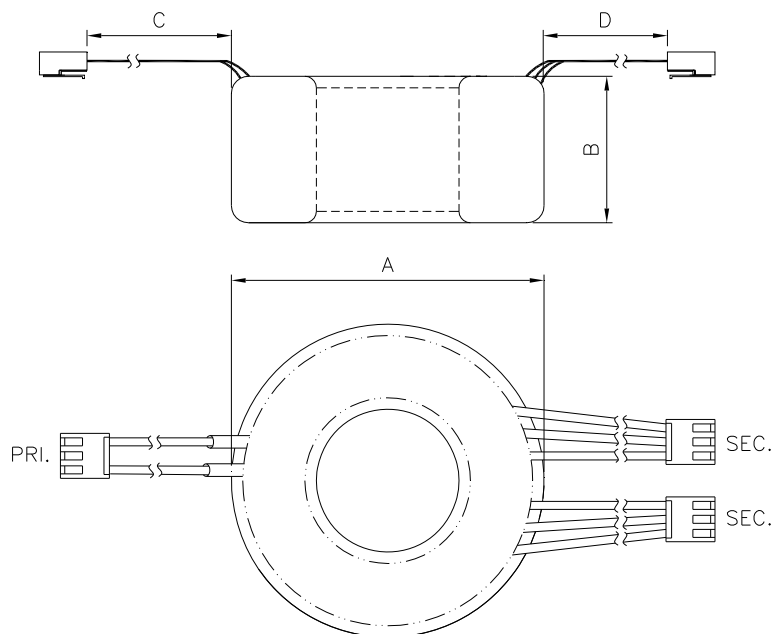
- Amplifier

Electrical Specifications @25°C

Ordering Code	Fig.	Input Voltage (Vac)	Frequency (Hz)	Output Voltage (Vac)		Output Power(W)
TC80	1	100V	50/60Hz	40.0V*2/3A	N/A	240W
TC100	2	220V	50/60Hz	39.9V*2/4A	12.0V*2/1A	343W
TC120	2	220V	50/60Hz	39.9V*2/8A	12.0V*2/1A	662W

Mechanical

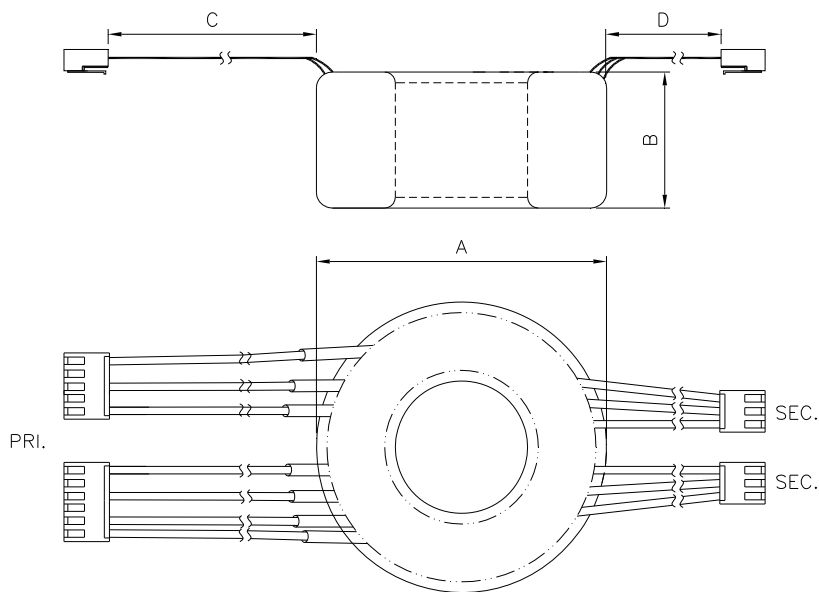
Fig. 1



LAMINATED TRANSFORMES

Toroidal Series

Fig. 2

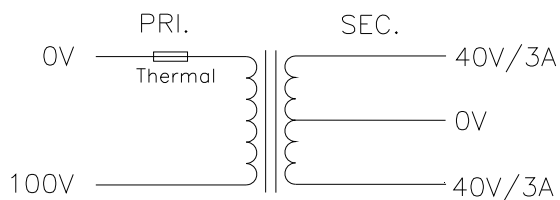


Dimension (mm)

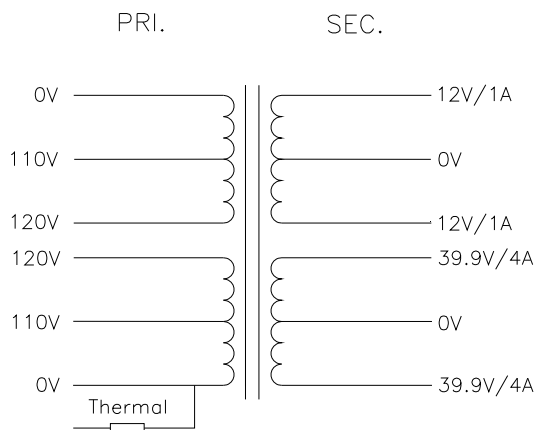
Ordering Code	Fig.	A (Max.)	B (Max.)	C (Nom.)	D (Nom.)
TC80	1	118.0	72.0	120.0	90.0
TC100	2	126.0	86.0	300.0	160.0
TC120	2	143.0	86.0	300.0	160.0

Schematic

TC80



TC100



LAMINATED TRANSFORMES

Toroidal Series

TC120

