

A13 DIP PLUG (.1" * .3")

PITCH: 2.54mm

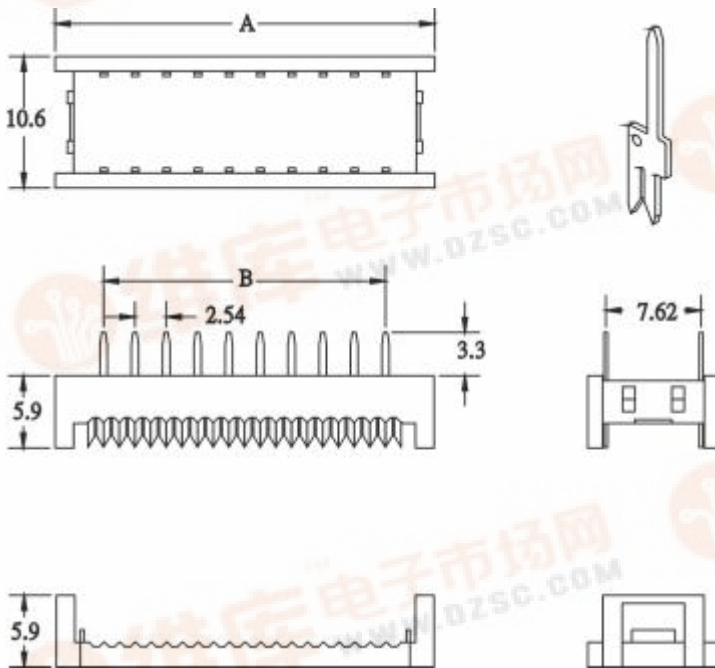
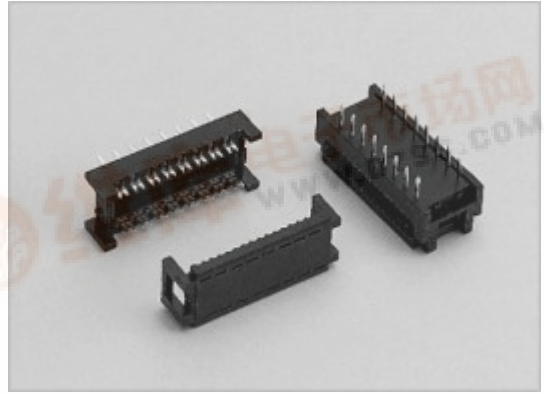
SPECIFICATIONS

Material

Insulator : PBT, glass reinforced, rated UL 94V-0
 Contact : Phosphor Bronze or Brass

Electrical

Current Rating : 1 Amp DC
 Contact Resistance : 30 mΩ max.
 Insulation Resistance : 3000 MΩ min.
 Dielectric Withstanding Voltage : 500V AC for 1minute
 Operating Temperature : -40°C to +105°C
 ♦ Terminated with 1.27mm pitch flat ribbon cable.



POSITION	A	B
8	15.44	7.62
10	17.98	10.16
14	23.06	15.24
16	25.60	17.78
18	28.14	20.32
20	30.68	22.86
24	35.76	27.94
28	40.84	33.02
40	56.08	48.26

HOW TO ORDER:

A13 - 1 - 2 - 3 - 4

1.NO. OF CONTACT	2.CONTACT MATERIAL	3.CONTACT PLATING	4.INSULATOR COLOR
08 10 14 16 18 20 24 28 40	A: BRASS B: PHOSPHOR BRONZE	T: TIN PLATED S: SELECTIVE G: GOLD FLASH A: 5μ" INCH GOLD B: 10μ" INCH GOLD C: 15μ" INCH GOLD D: 30μ" INCH GOLD	1. BLACK 2. GREY