

## DS120 铸铝安全防护外壳精密压力表

YB / YBF

## DS 120 Test pressure gauge

## C- 下轴向前边结构

Low Back Connection with Front Flange

型号标示 Code:

YB-120.BO.407 (YB-100Z)

YBF-120.BO.407 (YB-100Z)

## 2- 径向结构

Bottom Connection

型号标示 Code:

YB-120.AO.407 (YB-100Z)

YBF-120.AO.407 (YB-100Z)



## 产品简介

精密压力表可用于检验工业用普通压力表，亦可用于对介质压力的高精度测量。

120 精密压力表系列具有坚固的安全防护外壳，适用于工业过程中对介质高精度测量。

YB 标准型、YBF 不锈钢内机防腐型可选。

## PRODUCT OVERVIEW

The test pressure gauge can be used to check common pressure gauge which is using in the industry process, and it can be used directly to do high precision measuring.

120 test pressure gauge who has safety protect case is suitable to do high precision measurement during industry process.

YB Standard Type. Optional YBF stainless Steel Internals Corrosion-proof.

量程范围规格代码表 TABLE OF RANGES

选型代码 code	量程规格 ranges	选型代码 code	量程规格 ranges	选型代码 code	量程规格 ranges
M500	-0.1MPa	M100	0.6 MPa	M200	6 MPa
M010	0.06 MPa	M120	1 MPa	M220	10 MPa
M030	0.1 MPa	M230	16 MPa	M040	0.16 MPa
M140	1.6 MPa	M240	25 MPa	M250	30 MPa
M060	0.25 MPa	M160	2.5 MPa	M260	35 MPa
M270	40 MPa	M080	0.4 MPa	M180	4 MPa
M280	60 MPa				



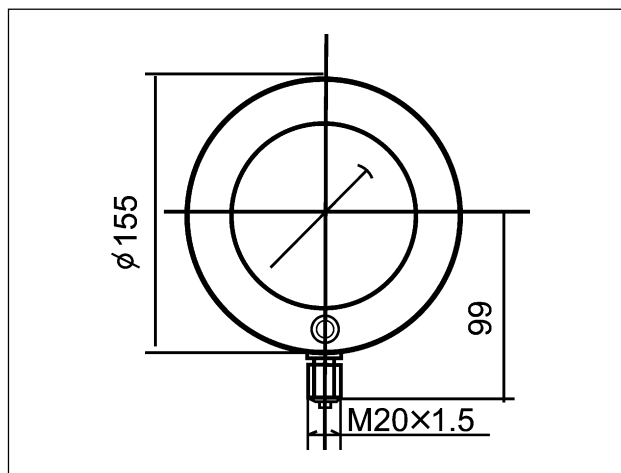
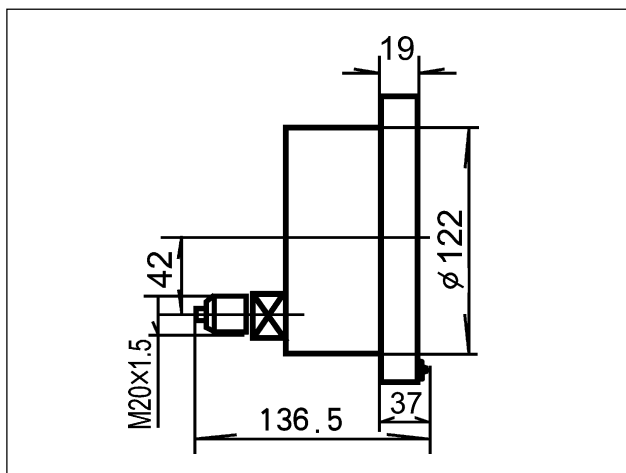
## 技术参数

精度等级：	0.25% ; 0.4%
测量范围：	-0.1 至 40MPa
波登管 / 接头：	铜合金 C 型管与铜合金接头锡焊或钢接头与不锈钢管氩弧焊接
安装结构：	径向前边，轴向前边
仪表机芯：	不锈钢
仪表连接：	M20 × 1.5 外螺纹（可选其他标准连接）
仪表外壳：	铸铝黑色喷塑安全防护型，并带调零装置
仪表度盘：	不锈钢双层镜面
表针：	65Mo 锰，黑色前端为红色，刀锋式

## Technical specifications

Accuracy:	0.25% ; 0.4%
Range:	-0.1 to 40MPa
Burdon tube/socket:	Tin welding between copper alloy C-type tube and copper alloy socket or TIG welded connection to stainless steel tube
Mounting:	Under mounting with front flange; back mounting with front flange
Movement:	Stainless Steel
Connection:	M20 × 1.5 out threads ( other standard connections available )
Case:	Aluminium casting, black enamel, safety type; with zero-adjustable set.
Dial:	Stainless Steel double glasses
Pointer:	65Mo, Aluminium, black, knife end

外型尺寸 Dimensions



如何选型 HOW TO ORDER

型号代码 CODE	特性说明 CHARACTERISTICS						
<b>基本型号</b> Basic type	<b>YB</b> —— (标准型) 精密压力表 (Standard Type) Test pressure gauge  <b>YBF</b> —— (不锈钢防腐型) 精密压力表 (Stainless steel corrosion-proof type) Test pressure gauge						
<b>外径</b> Diameter	<b>120</b> —— 120						
<b>安装方式</b> Mounting	<b>AT</b> —— 径向前边 Under mounting with front flange  <b>BT</b> —— 下轴向前边 Under back mounting with front flange						
<b>设计代码</b> Design	<b>40</b> —— 压铸外壳 / 合页边式 Casting case/combine pieces						
<b>量程</b> Ranges	请参看量程代码表 See range table						
<b>连接尺寸</b> Connection	<b>M20</b> —— M20 × 1.5  <b>T00</b> —— 其他连接标准 Other connections						
<b>备选项</b> Options	<b>BAA</b> —— 0.25 级  <b>BBA</b> —— 0.4 级						

