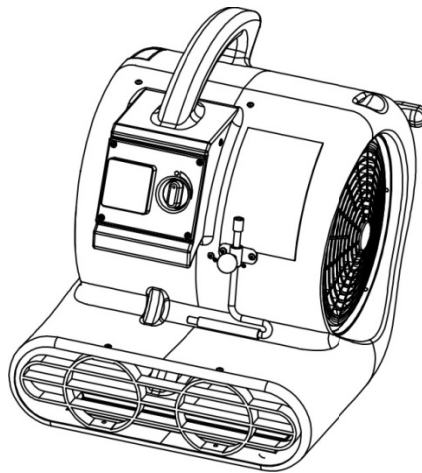


Gadlee®

GF-3

Blower / 吹风机



OPERATOR'S MANUAL/操作说明书

Gadlee GF-3 吹风机适用于快速干燥地毯及地面
注意：该机器用于商业用途



READ THE BOOK



请仔细阅读说明书

English (4-6)

中文 (1-3)

This book has important information for the use and safe operation of this machine. Failure to read this book prior to operating or attempting any service or maintenance procedure to your Gadlee machine could result in injury to you or to other personnel; damage to the machine or to other property could occur as well. You must have training in the operation of this machine before using it. If your operator(s) cannot read this manual, have it explained fully before attempting to operate this machine.

All directions given in this book are as seen from the operator's position at the rear of the machine.

本说明书内有机器使用及安全操作的重要信息。在对机器进行任何操作或者维护之前，请务必仔细阅读本说明书，否则会引致机器及其他物件的损坏，甚至会引致使用者或其他人员伤亡。在使用本机器前，操作员必须接受培训及获得认可。如果操作员不能阅读本说明书，操作员必须在获得充分解释后才能尝试使用机器。本说明书提及的方向都是根据操作员在机器后方而指出的。

请仔细阅读如下说明及指引



安全指引



触电危险

本机必须接地使用

电源线带有三脚接地插头。

只使用一个独立插座。

不要切断接地插脚。

不要使用损坏的电源线。

不要使用延长线。

为了减少火灾或电击的危险，
请勿使用任何调速装置改造本
设备。

使用前请仔细阅读操作指示及说明

设备的使用放置

当风干室内空间时，至少使用一台吹风机，或每 18 平方米使用一台，尽可能让气流到达每个潮湿的表面。把门打开可改善空气流通，开门时请固定好，防止风吹闭门，造成伤害。



安全指引

不要移动或携带设备进行操作。当设备工作时强大的气流难以控制，将迅速产生不可预知的摆动。

不要让儿童在设备周边玩耍或触碰。如果他们提起某一个设备将使之失去平衡，强大的气流使设备迅速摆动，造成伤害。

不要改变或改装你的设备。只使用制造商或授权经销商提供的零部件进行维护更换。随意改装或使用未经审核授权的零部件可能产生危险，我司将不对您的设备保修负责。请联系您的授权经销商提供协助。

设备的操作

- 1.找到电线和插头插入三孔叉口。
- 2.开关调置到所需的速度。
- 3.按所需吹风面调节设备放置角度（0°、45°、90°）。

辅助插座

你可以同时连接最多 3 台 GF-3 来达到所需的风干效果。最大连接输出电流不超过 10A。

请仔细阅读如下说明及指引

安全指引



触电危险

保持电机和电气部分干燥。

不要在水边操作设备。

不要把设备暴露在雨、雪中。

不要使电机或电线湿水。

不要用湿水、清洗机清理设备。

如果电机或电器件不慎湿水，务必完全干燥后再使用。

使用前请仔细阅读操作指示及说明

安全指引



火灾危险

保持空气流通，减少空气流动会造成电机过热。

每次使用前移走表面覆盖物。

使用时不要靠近窗帘或其它可阻挡进气口的物品。

采用吸尘器或空压机清理电机灰尘污垢。

不要使用或存放在有易燃气体，像汽油、溶剂或稀释剂的地方。

不要在明火或热源附件使用。

使用前请仔细阅读操作指示及说明

降温及通风

请把设备放置在平面上使用，从温度更低的户外环境进入暖和房间前请对设备预热。

设备储存



堆叠

设备可堆叠使用或存放（最多3台）。

注意

严禁采用堆叠的方式包装或运输产品。



进行任何维修或清洗前请断开设备电源。

维护保养

坚持日常维护可以显著提高您的设备寿命。还能提高工作效率。鉴于使用者使用频率不同，以下给出的建议基于高出在潮湿环境的平均使用频率计算。连续的操作或在其它环境使用，可能需要额外的维护。需要更多信息请联系制造商。
注意：不要给马达轴承上油，本轴承采用永久性油封。

每次使用前：

- 检查电源线老化、磨损或损坏，坏损不再使用。
- 使用吸尘器或空压机清理内部堵塞物。
- 检查外部元件（开关、旋钮等）是否损坏。

季度性(或按需)：

- 使用家庭多用途清洁剂喷湿抹布，然后擦拭设备表面。
- 使用含乙烯清洁剂翻新塑料光泽。
- 拆卸格栅和风机，然后用空压机清理内部零部件。

年度：

- 检查各零部件及内部接线是否褪色、松动或磨损。

产品参数



GF-3 吹风机

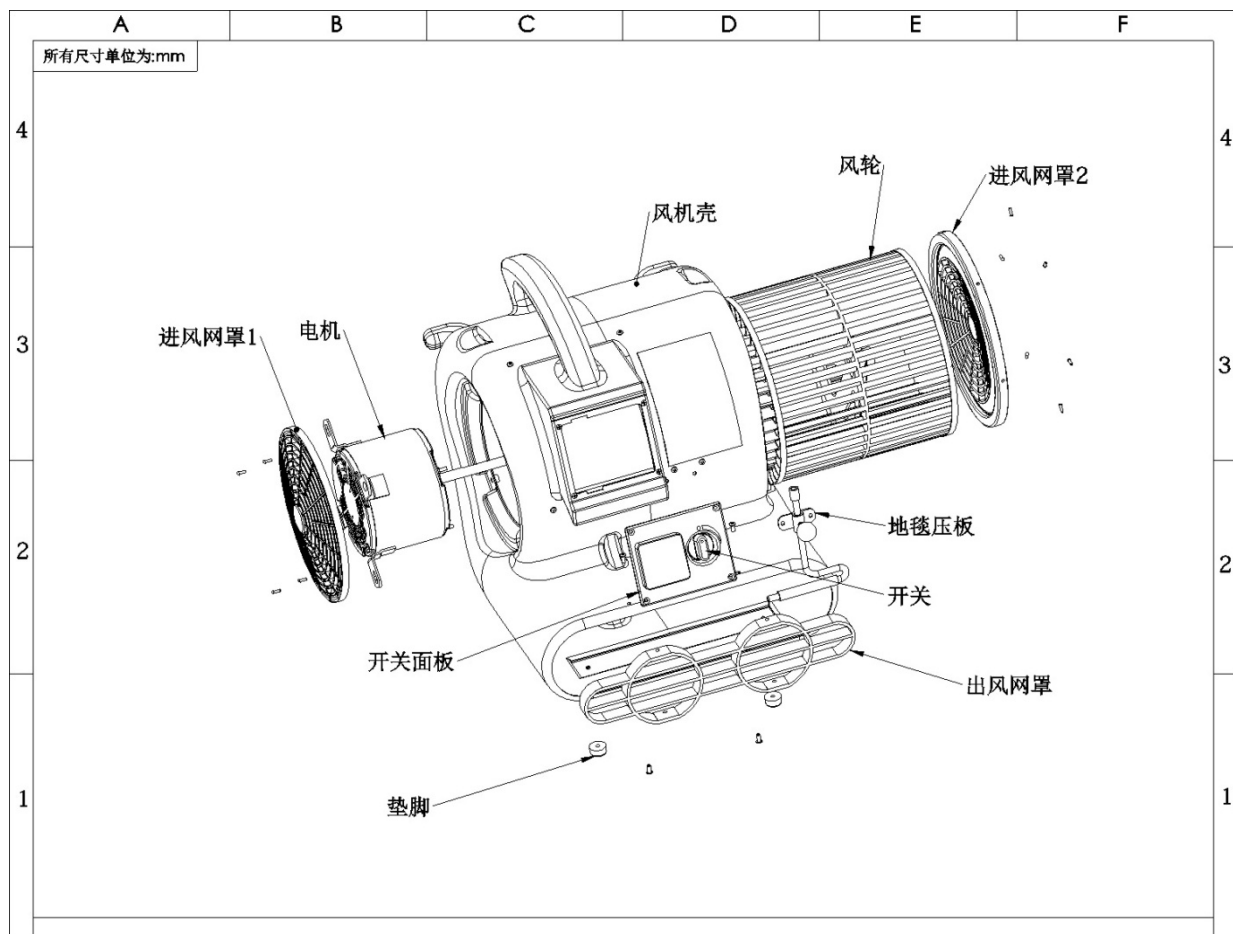
高度	48cm	速度	三速	吹风角度	3 (0° , 45° , 90°)
宽度	43cm	开关方式	旋钮	电线长度	7.0m
长度	47cm	最大转速	1420rpm	外壳材料	线性低密度聚乙烯
功率	560W	最大气流量	1450CFM	重量	13kg

故障排除

对于以下没有列举的故障问题，请联系您当地的经销商或拨打我们的全国免费售后服务热线 4008-833-830。

故障情况	原因排查	解决办法
单元不工作	设备不通电	重插插头，检查断路器或保险丝
	开关未打开	打开开关
	鼓风机叶轮卡住	去除干扰叶轮的物体
	进气或排气受阻	关机，让其冷却，然后取出堵塞物
机组振动率过高	风轮灰尘累积或被缠绕	清理风轮堵塞物

分解图



READ AND SAVE THESE INSTRUCTIONS



WARNING



ELECTRIC SHOCK HAZARD

This unit must be electrically grounded

The power cord is equipped with a 3-prong grounding plug.

Use only with a matching receptacle.

Do not cut off the grounding prong.

Do not use with a damaged power cord.

Do not use an extension cord.

To reduce risk of fire or electric shock, do not use this air mover with any solid-state speed control device.

Read and understand manual before operating.

PLACING YOUR TURBO DRYERS

When drying the interior of a building, use at least one Turbo Dryer per water-damaged room, or one every 200 square feet. Try to get airflow to all wet surfaces. Open interior doors to improve air circulation, and brace doors to prevent them from blowing shut.



WARNING

Do not move or carry a Turbo Dryer while under operation. When the unit is in motion, the powerful airflow is hard to control, and can produce rapid and unpredictable movement.

Do not allow children to play with or around Turbo Dryers. If they lift or get a unit off balance, the powerful airflow can cause the Turbo Dryer to move rapidly, risking injury.

Do not alter or modify your product in any way. Use only replacement parts authorized by manufacturer. Modifications or use of unapproved parts could create a hazard and will void your warranty. Contact your authorized distributor for assistance.

OPERATING YOUR TURBO DRYER

1. Locate the electrical cord and plug into a standard 3-prong outlet.
2. Set the switch to the desired speed, based on amp draw as listed by the switch on the side control panel.

THE AUXILIARY OUTLET

You can "daisy chain" or interconnect up to three GF-3 units to customize your drying needs. The unit can conduct a maximum of 10amps when it is turned on.

READ AND SAVE THESE INSTRUCTIONS

WARNING



ELECTRIC SHOCK HAZARD

Keep motor and electrical parts dry.

Do not operate in standing water.

Do not expose to rain, water or snow.

Do not get the exterior, motor or wiring wet.

Do not clean with wet objects, power washers etc.

If motor or electrical parts become wet, allow them to dry completely before using.

Read and understand manual before operating.

WARNING



FIRE HAZARD

Keep air intakes clear. Reduced air flow can cause motor to overheat.

Clean any other material from the screens before each use.

Do not operate near draperies or other material that could block the air intakes.

Clean dust and dirt from motor using a vacuum or compressed air.

Do not use or store where flammable vapors like gasoline, solvents, or thinners are present.

Do not use near open flames, or heat sources.

Read and understand manual before operating.

COOL AND VENTILATE

Place the air mover on a flat surface, and direct the air from cooler areas (including the outdoors) into a warm room.

TURBO DRYER STORAGE



Stackable

Units can be stacked (upto3) on their sides for storage.

NOTICE

Stacking feature is not secure enough to be used during transport.



Always disconnect the Turbo Dryer from its power source before performing any maintenance or cleaning.

Preventive Maintenance

Routine maintenance can significantly increase the life of your Turbo Dryer. It also promotes efficient operation. The applications and amount of use by owners vary, so the recommendations listed below are for average-to-high-volume use in water damage. Constant operation or use in other environments may require additional maintenance. Contact manufacturer for more information.

NOTE: Do not oil motor bearings, they are permanently oiled.

BEFORE EACH USE:

- Inspect power cord for cuts, fraying or damage; do not use if damaged.
- Remove internal obstructions from the grills using a vacuum or compressed air.
- Inspect exterior components (switch, knob, etc.) for damage.

QUARTERLY (OR AS NEEDED):

- Clean the exterior with a household all-purpose spray cleaner. Spray the rag then apply to the surface.
- To renew shine on the plastic, use a vinyl cleaner.
- Remove grill and blower, then blow off internal components with compressed air.

ANNUALLY:

- Inspect components and internal wiring for discoloration, loose connections, or fraying.

Model Specifications



GF-3 Blower

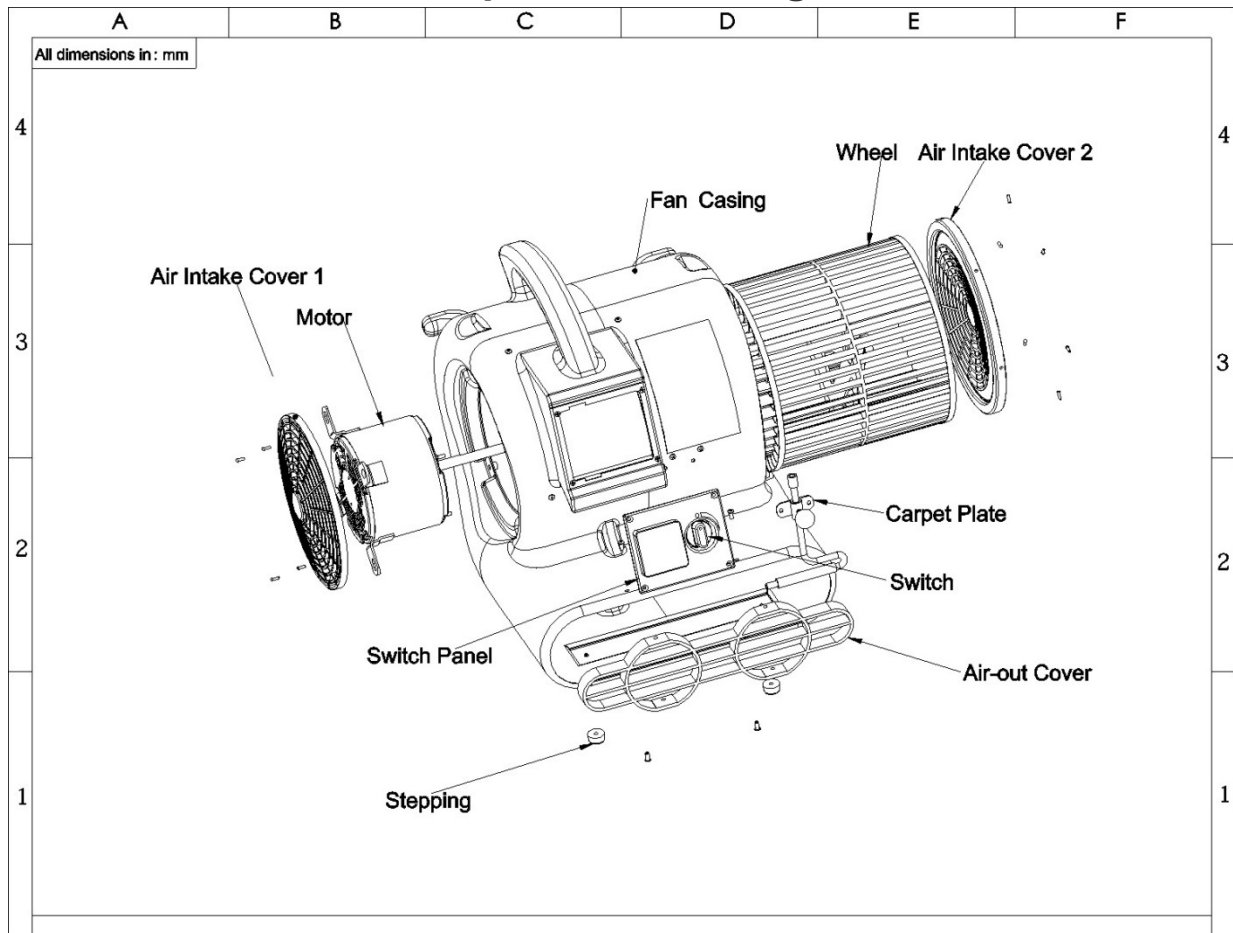
Height	18.8"(48cm)	Speeds	Three	Wind Angle	3 (0°,45°,90°)
Width	17.0"(43cm)	Switch Type	Rotary	Cord length	7.0m
Depth	18.3"(47cm)	Max Speed	1420rpm	Housing	Polyethylene
Motor Power	560W	Max Capacity	1450CFM	Weight	13kg

Trouble Shooting

For any problems not listed below, call your local distributor or contact our Service Department toll free at 4008-833-830.

PROBLEM	CAUSE	SOLUTION
Unit does not operate	No power to machine	Plug in the unit; check circuit breaker or fuse
	Switch not turned on	Turn on switch
	Blower wheel jammed	Remove material jamming wheel
	In take or exhaust blocked	Turn machine off and allow to cool , then remove blockage
Unit vibrates excessively	Accumulation of solid wheel	Clean blower wheel

Explosive Drawing





广东嘉得力清洁科技股份有限公司

地址：广东省佛山市南海区桂城瀚天科技城A区7号楼首层

电话：+86 757 81019199 传真：+86 757 81019198

全国服务热线：4008-833-830

Gadlee Green Cleaning Equipment Corporation

1F, Block A7, Hantian Industrial Park , Guicheng

Nanhai District, Foshan 528200 Guangdong China

Tel: +86 757 81019199 Fax: +86 757 81019198

Toll-free: 4008-833-830

Http://www.gadlee.com E-mail: enquiry@gadlee.com