

14791T 墙出水连接件带花洒托架及软管

安装之前

所有的资料是按最新出版的产品资料编写而成。科勒公司保留任何时候不经通知即可改变产品特性、包装或产品可供类型的权利。

说明书包括重要的安装、保养及清洁方面的内容，请把这些资料交给用户阅读。

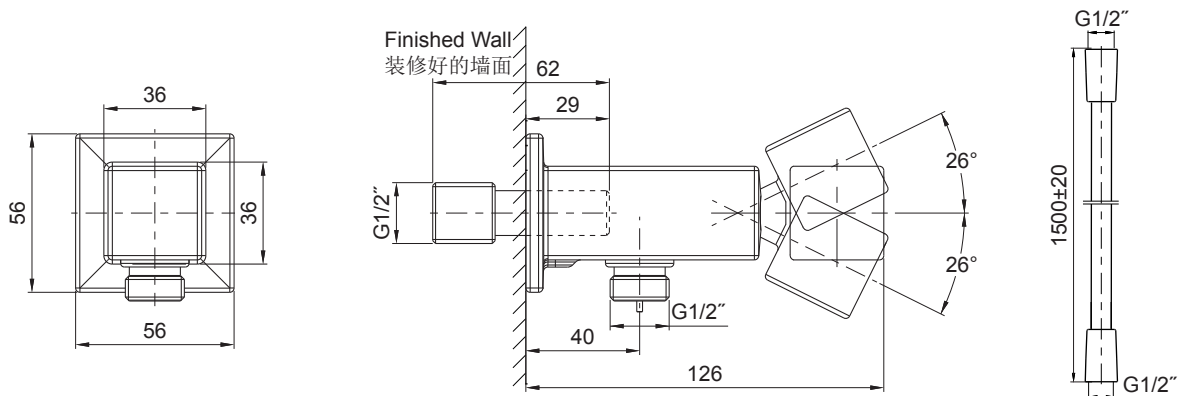
BEFORE YOU BEGIN

All information is based on the latest product information available at the time of publication. Kohler Co. reserves the right to make changes in product characteristics, packaging, or availability at any time without notice.

Please leave these instructions for the consumer. They contain important information.

安装尺寸

ROUGH-IN DIMENSIONS



安装步骤

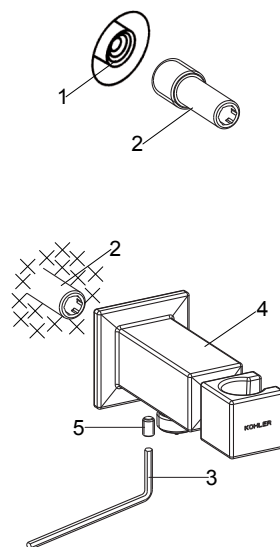
为使安装顺利，G1/2"内螺纹管道配件(1)应已装好。

注意：管道配件要垂直并不能突出已装修好的墙面，但低于墙面不能超过32mm。

在接头(2)的G1/2"螺纹处缠绕足以密封的密封胶带或涂合适的密封胶，用扳手安装接头，并使其露出墙外的长度在33~40mm之间。

用六角扳手(3)旋松组件(4)底部的螺钉(5)，使接头能装入组件即可。

注意：切勿使组件内部零件脱落。



INSTALLATION

To perform installation, installer must provide G1/2" female supply fitting(1).

NOTE: The supply fitting should be not beyond, but below the finished wall less than 32mm, and be vertical with finished wall as well.

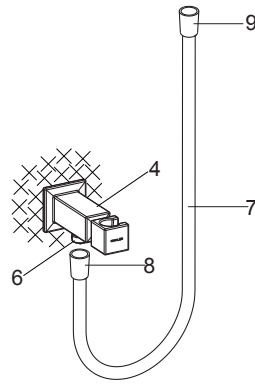
Apply tape or thread sealant to G1/2" threads of the outlet bush(2). Install the outlet bush onto the supply fitting. Secure it with a wrench and make it extend 33~40mm beyond the finished wall.

Loosen the screw(5) in the bottom of the kit(4) with the hex wrench(3), make the outlet bush can be installed.

NOTE: Do not fall the parts in the kit off.

在组件(4)底部涂一圈油灰或其它胶。将接头(2)装入组件，调整组件的位置使出水口(6)朝下。用六角扳手旋紧螺钉(5)。去除多余油灰。

去掉软管(7)两端接头的保护套。将软管任一端接头(8)与出水口(6)连接，并拧紧。将软管另一端接头(9)与手持花洒(客户自备)连接，并拧紧。



Apply a ring of plumbers putty or other sealants to the kit(4) base. Install the kit onto the outlet bush(2), adjust the kit to the outlet(6) downwards. Tighten the screw(5) in the bottom of the kit by the hex wrench. Remove any excess putty.

Remove the guards on the outlet connectors of the hose(7). Tighten one connector(8) of the hose to the outlet(6). Tighten the other connector(9) of the hose to the handspray(not provided).

清洗说明

适用于所有加工处理过的表面：以中性肥皂水清洗镀层表面，再以干净的软布彻底擦干整个表面，许多清洁剂，比如氨水、去污粉及洁厕灵等，会对电镀表面造成伤害，切忌使用。

有磨损性的清洁用具或清洁剂也不可适用于科勒牌的水龙头及其配件上。

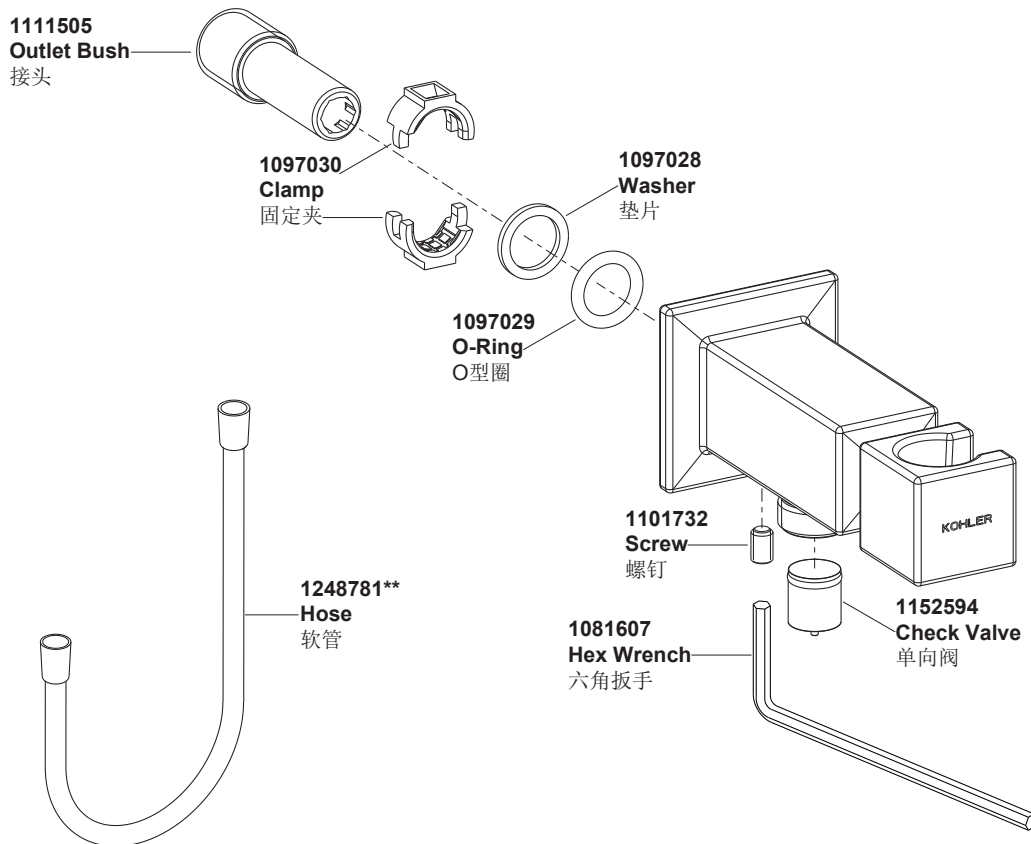
CLEANING INSTRUCTIONS

All Finishes: Clean the finish with mild soap and warm water. Wipe entire surface completely dry with clean soft cloth. Many cleaners may contain chemicals, such as ammonia, chlorine, toilet cleaner etc. which could adversely affect the finish and are not recommended for cleaning.

Do not use abrasive cleaners or solvents on Kohler faucets and fittings.

零件图

SERVICE PARTS



**订购时请说明颜色编号

**Color code must be specified when ordering