

产品规格书

PRODUCT SPECIFICATION

顾客产品名称型号

Client Product Name: EAG60908201

CWB 产品名称型号 TJC1008-30P 扁平电缆连接器

Product Name: TJC1008-30P Flat Cable Connector

产品编码

Part Number : 111.8255

规格书版本号

Version Number: 5

制订 Edit	张冬雪 2012-07-10	审核 Check	朱春燕 2012-7-10	批准 Approval	田野 2012-8-1
------------	-------------------	-------------	------------------	----------------	----------------

中国浙江乐清市虹桥镇幸福东路 1098 号合兴工业园
1098, Xingfu Road (East), CWB Industrial Zone, Hongqiao, Yueqing, Zhejiang 325608, China
Tel: 86-577-62312253 Fax: 86-577-62313681

产品规格书 Product Specification

编 号 Serial number	PS2052
版 本 号 Version Number	5
产品名称 Product Name	TJC1008-30P 扁平电缆连接器 TJC1008-30P Flat Cable Connector
产品编码 Part Number	111.8255

1. 适用范围 SCOPE

This specifies Series TJC1008-30A 1.0 mm PITCH FPC • FFC CONNECTOR. The connector shall meet the performances specified here under the condition with the connector and the applicable FPC • FFC mated.

此规范是对系列 TJC1008-30A 1.0mm 间距 FPC.FFC 联接器的使用性能加以规定。

2. 相关标准 RELATED STANDARDS

MIL-STD-202F : Test method for Electronic and Electrical Component Parts.

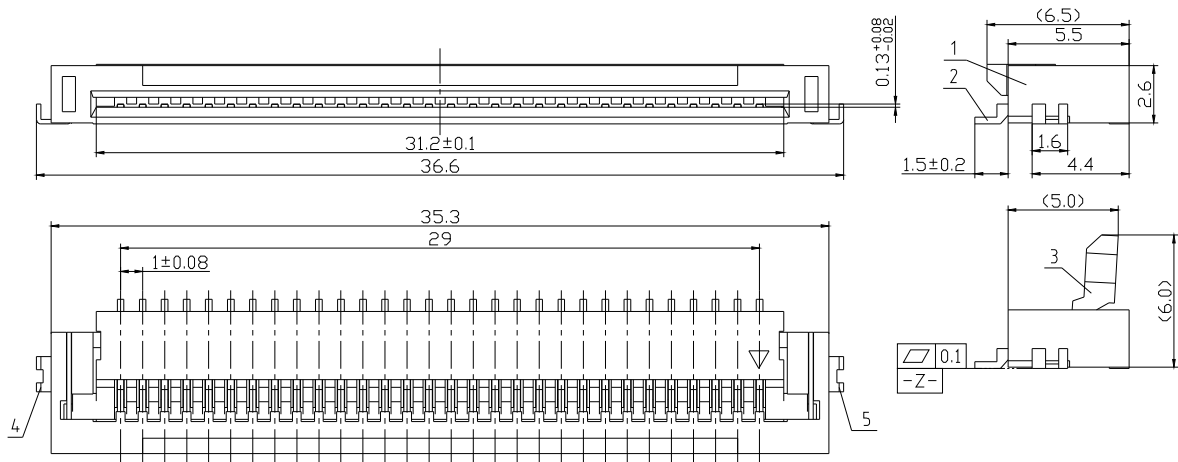
电子、电气组件测试方法

JIS-C-5402 : Method for Test of Connectors for Electronic Equipment.

用于连接器的电子设备测试方法

3. CONFIGURATION, DIMENSION AND MATERIAL 结构 尺寸 材料

Refer to drawing 参照图纸



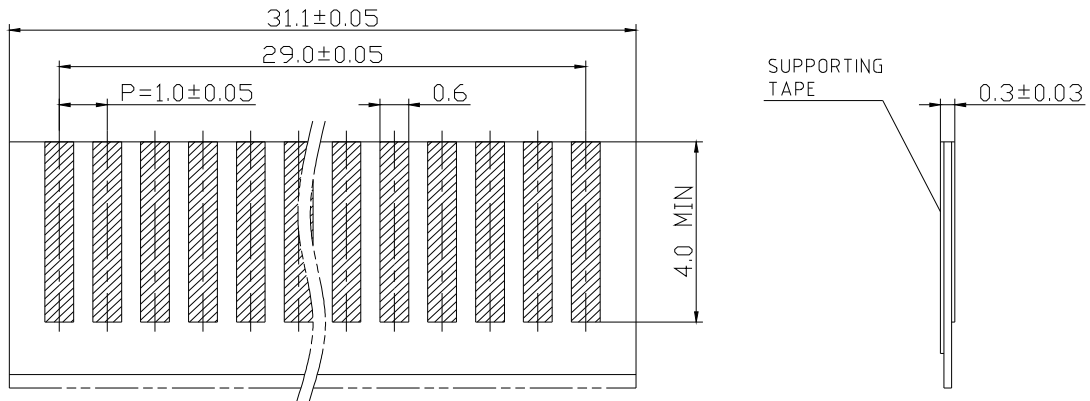
适用范围 Scope	> 0 ~ 3	> 3 ~ 18	> 18 ~ 50	> 50 ~ 120
公差 Tolerance	± 0.13	± 0.16	± 0.31	± 0.55

5	421.6264	TJC1008 焊片 2 Hook2	1	H65-Y Brass Tin/plated	
4	421.6263	TJC1008 焊片 1 Hook1	1	H65-Y Brass Tin/plated	
3	340.5017	TJC1008-30PS 锁紧片 Actuator	1	PPS UL94V-0	QMFZ2.E52579
2	421.6262	TJC1008 插针 Terminal	30	C5191 Phos.bronze Tin/plated	
1	311.7678	TJC1008-30P 针座 Housing	1	LCP UL94V-0	QMFZ2.E54705
序号 Item	物料号 Part Number	物料名称 Product Name	数量 Quantity	备注 Mark	UL No.

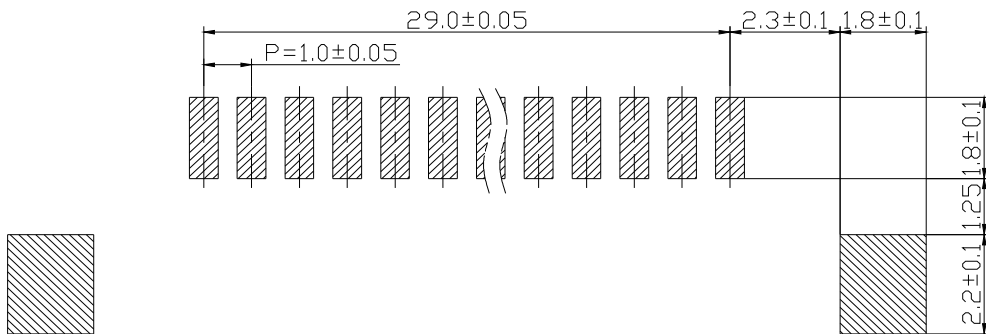
产品规格书
Product Specification

编号 Serial number	PS2052
版本号 Version Number	5
产品名称 Product Name	TJC1008-30P 扁平电缆连接器 TJC1008-30P Flat Cable Connector
产品编码 Part Number	111.8255

PCB 尺寸及适配线缆 PCB LAYOUT & FILM SPEC.



APPLICABLE FFC



P.C.B LAYOUT

4 .GENERAL SPECIFICATION 一般规格

4-1 额定电流 Current rating : AC 1.0A, DC 1.0A/CONTACT

4-2 额定电压 Voltage rating : AC 200V, DC 200V/CONTACT

4-3 温度/湿度范围 Temperature and humidity in operation : $-25^{\circ}\text{C} \sim +85^{\circ}\text{C}$

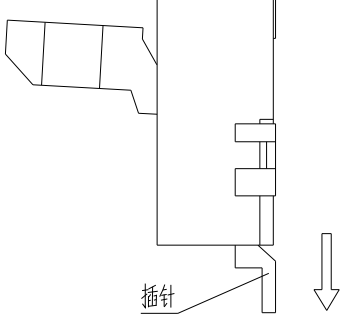
4-4 保存温/湿度范围 Temperature and humidity in preservation : $-40^{\circ}\text{C} \sim +85^{\circ}\text{C}$

4-5 保存时间 Preservation :6 months after delivery 发货后六个月。

产品规格书 Product Specification

编 号 Serial number	PS2052
版 本 号 Version Number	5
产品名称 Product Name	TJC1008-30P 扁平电缆连接器 TJC1008-30P Flat Cable Connector
产品编码 Part Number	111.8255

5. 机械性能 MECHANICAL PERFORMANCE

No.	项目 ITEM	试验方法 TEST METHOD	规格 SPECIFICATION
5.1	外观 Appearance	目视测验 Visual inspection	无腐蚀、污点、破损、变形及功能损害。 No rust, contamination, damage nor deformation effecting on function.
5.2	固定力 Contact retention force	如下所示, 各针负重以每分 25±3 毫米前进 Load shall be applied on each contact at a speed of 25±3mm/min. as shown below. 	2N/Pin 2N MIN (204gf MIN) /pin
5.3	锁紧力及拔出力 Locking and Withdrawal Force	适合 0.3mm 厚的 FFC; 用每分钟 25±3mm 的速度; 平行地插入、锁紧、拔出。 Insert and extract applicable FFC at the speed rate of 25±3 mm/minute.	锁紧力 Locking 1.96*n (N) Max. 拔出力 Withdrawal 0.49*n (N) Min.

6. 物理性能 PHYSICAL PERFORMANCE

No.	项目 ITEM	试验方法 TEST METHOD	规格 SPECIFICATION
6.1	插拔耐久性 Durability	不通电状态下, 以每分 10 次, 插拔 30 次 Connectors shall be mated and unmated at a speed of 10 times/min. without current applied. Number of mating and unmating/30 times.	接触电阻 Contact resistance: 0.03 Ω MAX

产品规格书
Product Specification

编 号 Serial number	PS2052
版 本 号 Version Number	5
产品名称 Product Name	TJC1008-30P 扁平电缆连接器 TJC1008-30P Flat Cable Connector
产品编码 Part Number	111.8255

6.2	振动 Vibration	<p>遵循 JIS C 0040 标准, 所有触点应串联在一起, 并加以 DC 100 毫安电流 In accordance with JIS C 0040 all contacts shall be connected in series and DC 100 mA shall be applied. 周期 Frequency: 10~55~10 Hz/min 振幅 Maximum amplitude: 1.5mm 方向 Direction: X, Y, Z(3 Direction) 时间 Duration: 2h per each direction total 6h</p>	<p>瞬断 Discontinuity : 1 μs MAX 外观 Appearance : 无损伤 No damage, loose part nor crack 接触电阻 Contact resistance: 0.03 Ω MAX</p>
6.3	冲击 Shock	<p>遵循 JIS C 0041 标准, 所有触点应串联在一起, 并加以 100 毫安电流 In accordance with JIS C 0041, all contacts shall be connected in series and DC 100 mA shall be applied. 最大加速度 Maximum acceleration : 490m/s² (50G); 半波正弦波 Half sine wave. (持续时间 Duration: 11ms) 方向 Direction : 3 directions (X, Y, Z) 回数 Number : 3 times per each direction.</p>	<p>瞬断 Discontinuity: 1 μs MAX 外观 Appearance : 无损毁 No damage, loose part nor crack 接触电阻 Contact resistance : 0.03 Ω MAX</p>
6.4	可焊性 Solderability	<p>把试验样品需要焊接的部位浸入焊锡炉中 (锡炉温度 245±2℃); 3±0.5 秒钟 Soldering Time: 3±0.5 second Solder Temperature: 245±2℃</p>	<p>上锡率≥95%: 95% of immersed area must show no voids, pin holes</p>
6.5	耐焊接热 Resistance to soldering heat	<p>把试验样品需要 SMT 回流焊炉过炉, 按照无铅制程曲线 (最高温度 250±5℃, 10±1 秒钟), 在正常条件下恢复 2 小时。 Soldering Time: 10±1 second Solder Temperature: 250±5℃</p>	<p>外观: 无损伤 Appearance: : No Damage</p>

产品规格书 Product Specification

编 号 Serial number	PS2052
版 本 号 Version Number	5
产品名称 Product Name	TJC1008-30P 扁平电缆连接器 TJC1008-30P Flat Cable Connector
产品编码 Part Number	111.8255

7. 电气的性能 ELECTRICAL PERFORMANCE

No.	项目 ITEM	试验方法 TEST METHOD	规格 SPECIFICATION
7.1	耐电压 Dielectric withstanding voltage	遵循 MIL-STD-202F m301 标准, 应在端子之间, 及端子与壳体之间加以 500 V 交流电, 保持 1 分钟 (漏电流 2 毫安) In accordance with MIL-STD-202F m301, AC 500 V shall be applied between contacts and between an individual contact and a case for 1 min. (Leak current 2 mA).	外观 Appearance 无火花及绝缘损坏 No flashover, sparkover nor dielectric breakdown.
7.2	绝缘电阻 Insulation resistance	遵循 MIL-STD-202F m302 标准, 应在端子之间, 及端子与壳体之间加以 500 V 直流电, 保持 1 分钟。 In accordance with MIL-STD-202F m302, DC 500 V shall be applied between contacts and between an individual contact and a case for 1 min.	最初为 1000MΩ Initial: 1,000 MΩ MIN
7.3	接触电阻 contact resistance	插配 FPC 线缆后, 用小功率电路进行测试 Mate applicable FPC, measure by dry circuit.	接触电阻 Contact resistance: 0.03Ω MAX
7.4	温度上升 Temperature rise	触点应保持连接, 温度上升应在无风条件下测试。 Contact shall be connected in series and temperature rise shall be measured under draft free condition.	额定电流 Current rating (0.5A, 1.0A)30 K MAX

8. 耐环境性能 ENVIRONMENTAL PERFORMANCE

No.	项目 ITEM	试验方法 TEST METHOD	规格 SPECIFICATION
-----	---------	------------------	------------------

产品规格书

Product Specification

编 号 Serial number	PS2052
版 本 号 Version Number	5
产品名称 Product Name	TJC1008-30P 扁平电缆连接器 TJC1008-30P Flat Cable Connector
产品编码 Part Number	111.8255

8.1	盐雾 Salt mist	<p>遵循 JIS C 0023 标准, 连接器应承受以下条件测试: In accordance with JIS C 0023, mated connectors shall be subjected to the following condition. 盐水浓度 Salt water concentration: 5±1%重量比 Weight ratio 槽内温度 Temperature: 35±2°C 时间 Duration : 48h</p>	<p>外观 Appearance 无明显腐蚀 No evident corrosion</p>															
8.2	温度循环 Temperature cycling	<p>遵循 JIS C 0025 标准, 连接器应承受以下条件 5 个循环测试: In accordance with JIS C 0025, mated connectors shall be subjected to the 5 cycles under the following condition.</p> <table border="1"> <thead> <tr> <th>阶段 STEP</th> <th>温度 (°C) TEMPERATURE</th> <th>时间 (分) TIME (min)</th> </tr> </thead> <tbody> <tr> <td>1</td> <td>-55±3</td> <td>30</td> </tr> <tr> <td>2</td> <td>25±5¹⁰</td> <td>10~15</td> </tr> <tr> <td>3</td> <td>105±2</td> <td>30</td> </tr> <tr> <td>4</td> <td>25±5¹⁰</td> <td>10~15</td> </tr> </tbody> </table>	阶段 STEP	温度 (°C) TEMPERATURE	时间 (分) TIME (min)	1	-55±3	30	2	25±5 ¹⁰	10~15	3	105±2	30	4	25±5 ¹⁰	10~15	<p>外观 Appearance 无损伤 No Damage 接触电阻 Contact resistance : 0.03Ω MAX</p>
阶段 STEP	温度 (°C) TEMPERATURE	时间 (分) TIME (min)																
1	-55±3	30																
2	25±5 ¹⁰	10~15																
3	105±2	30																
4	25±5 ¹⁰	10~15																
8.3	耐湿性 Humidity	<p>遵循 JIS C 0022 标准, 连接器应承受以下条件测试: In accordance with JIS C 0022, mated connectors shall be subjected to the following condition. 槽内温度 Temperature: 40±2°C 湿度 Relative humidity: 90~95% 时间 Duration: 96h</p>	<p>外观 Appearance 无损伤 No Damage 接触电阻 Contact resistance : 0.03Ω MAX 绝缘电阻 Insulation resistance: 100MΩ MIN 耐电压 Dielectric withstanding voltage No flashover, spark over nor dielectric breakdown.</p>															

产品规格书
 Product Specification

编 号 Serial number	PS2052
版 本 号 Version Number	5
产品名称 Product Name	TJC1008-30P 扁平电缆连接器 TJC1008-30P Flat Cable Connector
产品编码 Part Number	111.8255

8.4	耐热性 Heat resistance (life)	<p>遵循 JIS C 0021 标准, 连接器应承受以下条件测试:</p> <p>In accordance with JIS C 0021, mated connectors shall be subjected to the following condition.</p> <p>槽内温度 Temperature: 105±2℃ 时间 Duration: 96h</p>	<p>外观 Appearance</p> <p>无损伤 No Damage</p> <p>接触电阻 Contact resistance : 0.03Ω MAX</p>
8.5	耐寒性 Cold resistance	<p>遵循 JIS C 0020 标准, 连接器应承受以下条件测试</p> <p>In accordance with JIS C 0020, mated connectors shall be subjected to the following condition.</p> <p>槽内温度 Temperature: -40±3℃ 时间 Duration: 96h</p>	<p>外观 Appearance</p> <p>无损伤 No Damage</p> <p>接触电阻 Contact resistance : 0.03Ω MAX</p>