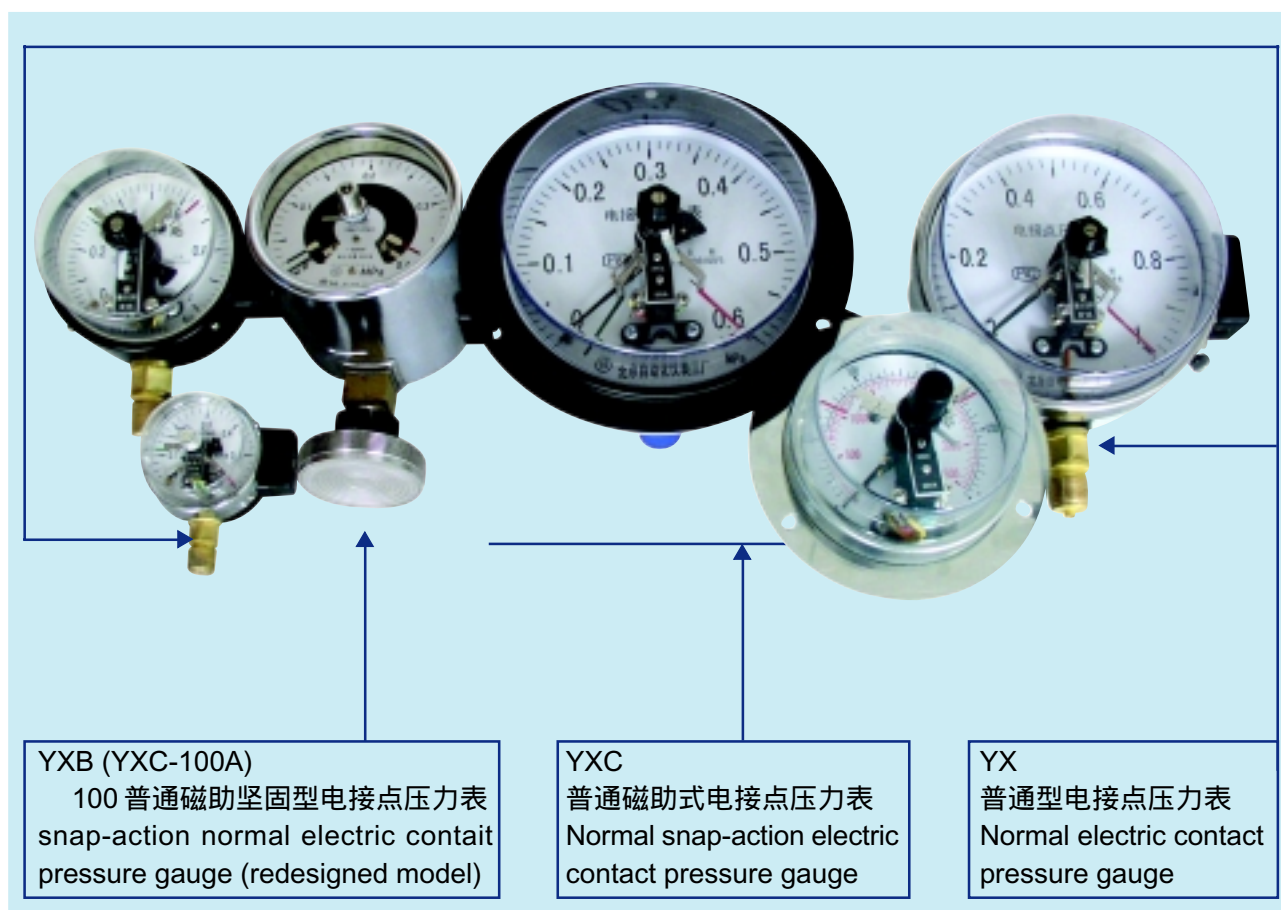


普通电接点压力表

YX/YXC

Normal Electric Contact Pressure Gauge



YX

普通型电接点压力表

适于测量对铜及铜合金，无腐蚀作用的气体及液体的压力。

YXC

磁助式普通电接点压力表

适于测量对铜及铜合金，无腐蚀作用的气体及液体的压力。

YXC 型电接点压力表同 YX 型电接点压力表相比具有额定功率大，发讯可靠，接点寿命长等特点，并有一定抗振动性能。

YX

Normal Electric Contact Pressure Gauge

YX Standard Electric Contact Pressure Gauge is suitable for measuring pressure of gas or liquid that does not copper and corrupt copper alloy.

YXC



Normal snap-action Electric Contact Pressure Gauge

YXC Standard Electric Contact Pressure Gauge is suitable for measuring pressure of gas or liquid that does not corrupt copper alloy.

YXC Electric Contact Pressure Gauge is better than YX Standard Electric Contact Pressure Gauge on high power rating, reliable signal, long life, and to vibration-proof.

MODEL YX/YXC

PD

可选型号 Model 仪表安装类型 Mounting available	普通型电接点压力表可选型号 For normal electric contact pressure gauge	普通磁助式电接点压力表可选型号 For snap-action electric contact pressure gauge
径向直接安装 Lower mounting direct 	60mm 外径 diameter YX-60. AO (YX-60) 150mm 外径 diameter YX-150. AO (YX-150)	100mm 外径 diameter YXC-100. AO (YXC-100) YXB-100. AO (YXC-100A) 150mm 外径 diameter YXC-150. AO (YXC-150)
轴向直接安装 Back mounting direct 	60mm 外径 diameter YX-60. ZO (YX-60Z) 150mm 外径 diameter YX-150. BO (YX-150Z)	100mm 外径 diameter YXC-100. B (YXC-100Z) 150mm 外径 diameter YXC-150. BO (YXC-100Z)
轴向嵌装 Back embedded mounting	60mm 外径 diameter YX-60. ZT (YX-60ZT) 150mm 外径 diameter YX-150. BT (YX-150ZT)	100mm 外径 diameter YXC-100. BT (YXC-100ZT) 150mm 外径 diameter YXC-150. BT (YXC-150ZT)
最高工作电压 Maximum voltage	AC 380V or DC 220V	
最大电流 Maximum current	0.7A	1A
触点功率 Contact power	10VA	30VA
控制方式 Cotrol mode	上、下限接点（上上限、下下限等方式特殊约定） Upper lower limits contacts (unless two upper or lower limits specificd)	



磁助电接点隔膜压力表

Snap-action Electric Contact with Diaphragm Seal



普通电接点系列压力表均可通过与隔离器（隔膜体）连接制成电接点隔膜压力表，适用于测量腐蚀性强、粘度大、易结晶介质的压力。

Normal electric contact gauges combine with a separator (diaphragm seal), being electric contact diaphragm pressure gauge, accommodates strongly corrosive media, viscous & crystallographic media.

型号标示 Model remark :

电接点型号 + H 化学密封型号

Model of electric contact + Model of chemical seals

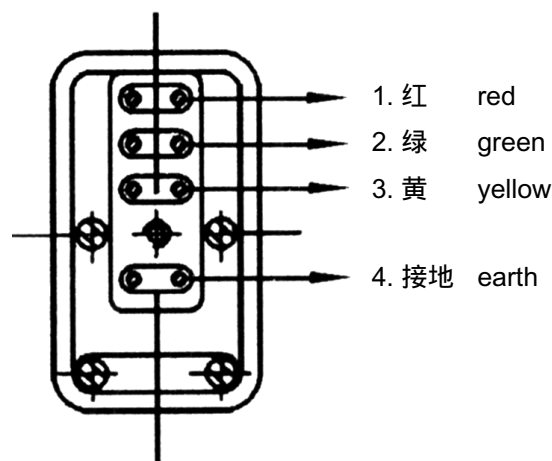
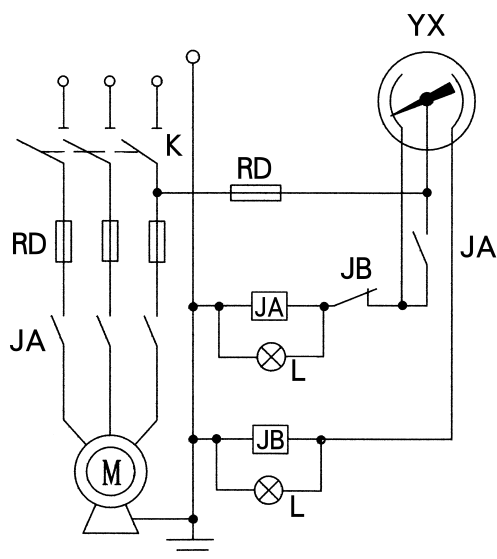
化学密封选项详见样本“H”系列

See “H” seriels for chemical seals

接线图（电连接应由有资格的人员操作）

Wiring Scheme (only for the qualified person)

YX	电接点压力表	Electric Contact Pressure Gauge
M	发电机	Power Generator
JA	接触器及其触点	Contactor & Its Contacts
JB	中间继电器及其触点	Medium relay & Its Contacts
K	组合开关	Combination switch
L	指示灯	Indicating Lamp
RD	熔断器	Fuse



主要技术指标 Specifications

执行标准 Executive standard: JB/T9273-1999

型号 Model	测量范围 Range MPa	精度 Accuracy		连接尺寸 Connection size
		指示 Indication	设定 set	
YX-60	-0.1 ~ 0 (0.1 ~ 60) (-0.1 ~ 2.4)	2.5	2.5	M14 × 1.5 或约定的特殊要求 M14 × 1.5 or on request
YX-100	0.16MPa -0.1-0 至 -0.1-2.4 系列 series 0-0.1 至 0-60 系列 series	2.5	2.5	M20 × 1.5 或约定的特殊要求 M20 × 1.5 or on request
YXC-100 YXC-150		1.5	4	M20 × 1.5 或约定的特殊要求 M20 × 1.5 or on request

工作压力：静负荷用至测量上限值的 3/4，
交变负荷用至测量上限的 2/3，
短时压力用至测量上限值。

温度影响：使用温度偏离 20 ± 5 时
其设定点误差变化不大于 0.6%10

环境温度：-40 ~ 70 （相对湿度不大于 85%）

Working pressure: Static load to the upper limits 3/4,
Alternating load to the upper limits 2/3,
Short time pressure to the upper limits.

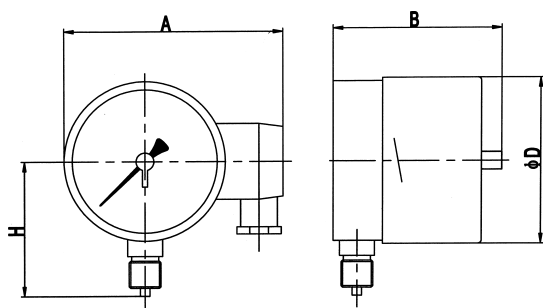
Temperature impact: Temperature deviation from
20 ± 5 the error of set point is less than
0.6%10

Ambient temperature: -40 ~ 70 （The relative
humidity is less than 85%）

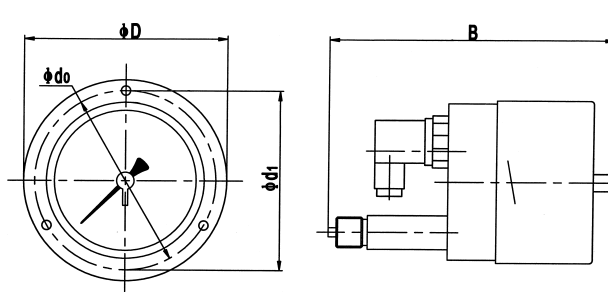
仪表外型尺寸 Dimensions

(表 1)

型号 Model	尺寸 Dimension	A(mm)	H(mm)	B(mm)	D(mm)
径向 bottom 150 外径 diameter		169	120	87	150
(YXC-100)径向 bottom 812 100 外径 diameter		122	92	88	102
(YXC-100A)径向 bottom 814 100 外径 diameter		136	90	95	100
径向 bottom 60 外径 diameter		75	55	55	60



(图 1)



(图 2)

(表 2)

型号 Model	尺寸 Dimension	d1(mm)	B(mm)	D(mm)	do(mm)
径向 bottom 150 外径 diameter		150	150	178	166
径向 bottom 812 100 外径 diameter		102	135	130	116
径向 bottom 814 150 外径 diameter		101	142	132	116



YXH (坚固型) 不锈钢电接点压力表 YXH/YXHN

(Solid model) Stainless steel electric contact pressure gauge

YXHN (坚固型) 不锈钢充油耐震接点压力表

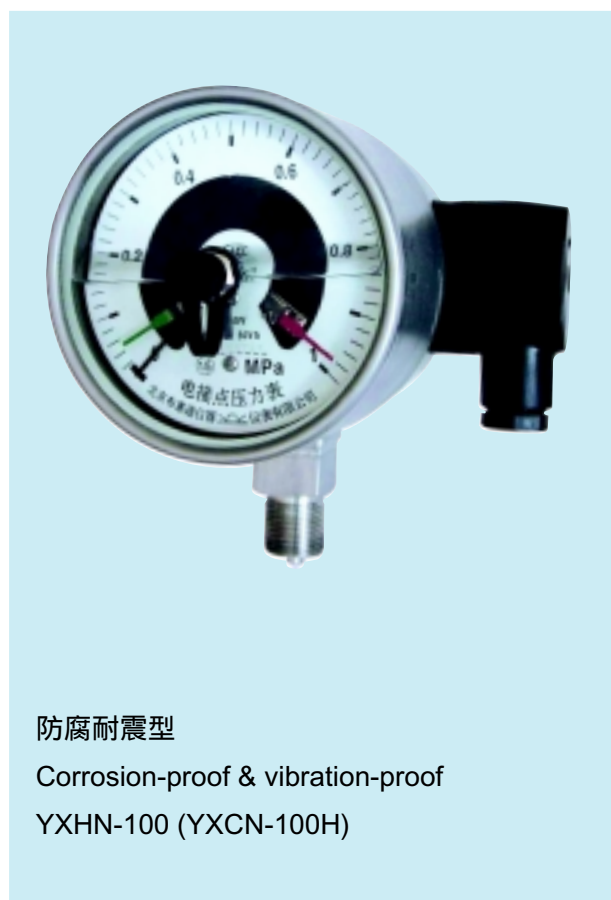
(Solid model) Stainless steel vibration-proof electric contact pressure gauge (oil filling)



防腐型

Corrosion-proof

YXH-100 (YXC-100H)



防腐耐震型

Corrosion-proof & vibration-proof

YXHN-100 (YXCN-100H)

应用 Application

主要测压元件及仪表外壳均采用不锈钢材料设计，适于测量腐蚀性较强的气体及液体的压力。

The materials of element for measuring pressure and case are both stainless steel, Suitable for measuring the strong corrosion gaseous and liquid medium pressure.

应用 Application

通过对表体内充油，利用液体阻尼确保无振动显示，适用于测量介质强烈脉动及环境震动较大的场所。

Both gauges are filled with oil for vibration-proof indication, suitable for the adverse service conditions where sharp pulsation and vibration exist.