

产品描述: TJC8 连接器

Product Description: TJC8 Connector

## 目录

## Index

1. 更改履历 Change History
2. 范围 Scope
3. 产品描述 Product Description
4. 相关标准 Related Standards
5. 参数范围 Parameter Ratings
6. 产品性能 Performance
7. 测试分组 Test Sequences

 <b>浙江合兴电子元件有限公司</b> CWB Electronics (Zhejiang) Co., Ltd.	<u>制定 Edit:</u> 张玲玲 2016.4.26	<u>产品名称 Product Name:</u> <b>TJC8</b>
中国·浙江省乐清市虹桥镇幸福东路 1098 号 合兴工业园 1098,Xingfu`Road(East),CWB Industrial Zone,Hongqiao,Yueqing,Zhejiang 325608,China Tel: 86-577-61313157 Fax: 86-577-62313681	<u>审核 Check:</u> 王曲 2019.1.11	<u>编号 Document No.:</u> <b>PS3879</b>
	<u>批准 Approval:</u> 刘冬旭 2019.1.12	<u>版本 REVISION:</u> <b>2</b>



# 产品规格书

## PRODUCT SPECIFICATION

### 1. 更改履历 Change History

序号 No.:	版本号 Version No.	更改前描述 Description Before Modification	更改后描述 Description After Modification	日期 Date
1	1	PS0125/PS3690/PS3289/PS3668/PS2355/PS1332 /PS0559	PS3879（新版规格书整理）	2016.4.26
2	2	/	更改公司 logo	2019.1.10
3				
4				
5				

产品名称 Product Name:	TJC8	编号 Document No.	PS3879	版本号 VersionNo.	2
-----------------------	------	--------------------	--------	-------------------	---

### 2. 适用范围 Scope

本产品规格书适用于浙江合兴电子元件有限公司生产的 **CTB 2.54P 阴型 & 阳型电子连接器**，产品名称：**TJC8-nA/TJC8-2×nA&TJC8-nY/ TJC8-2×nY/TJC8C-3Y**。

This product specification covers the requirement for **Cable to Board 2.54mm pitch Receptacle & Plug connector**, which is designed and manufactured by CWB Electronics(ZheJiang) Co.,LTD. P/N: **TJC8-nA/TJC8-2×nA&TJC8-nY/ TJC8-2×nY/TJC8C-3Y**.

### 3. 产品描述 Product Description

TJC8 系列产品为家电连接器产品，产品部件组成如下：

The TJC8 series connector designed for home appliances connection. Part checklist as following form:

Name	Part name	Notes
条形连接器针座 Plug Housing	TJC8-nA	Wafer:PBT+30%GF UL94V-0/PA6T UL94V-0 Post: Tin over nickel plating/Gold Plating
	TJC8-2×nA	Wafer:PBT+30%GF UL94V-0/PA6T UL94V-0 Post: Tin over nickel plating
条形连接器孔座 Receptacle Housing	TJC8-1Y~7Y	PPO UL94V-0
	TJC8-8Y~12Y	PA66 UL94V-2/ PA66 UL94V-0
	TJC8-2×5Y	PPO UL94V-0
	TJC8C-3Y	PPO UL94V-0
插簧 Contact	TJC8	Phosphor bronze, Tin plating

### 4. 相关标准 Related Standards

以下参考文件是本规格书的一个组成部份。若本规格书中的要求与产品图纸发生冲突，则产品图中的要求为优先；若本规格书中的要求与参考文件中的要求冲突，则本规格书为优先。

The following documents form a part of this specification. In the event of conflict between the requirements of this specification and the product drawing, the product drawing shall take precedence. In the event of conflict between the requirements of this specification and the referenced documents, this specification shall take precedence.

GB/T 2421	电工电子产品环境试验 第一部分 总则 Testing Method for Environmental of Electrical Connectors Class 1: General Principles
GB/T 2423	电工电子产品环境试验方法 Testing Method for Environmental of Electrical Connectors
GB/T 2424	电工电子产品环境试验导则 Testing Method for Environmental of Electrical Connectors
GB/T 5095	电子设备用机电元件基本试验规程及测量方法 Testing procedure/Method for components of electric equipment

产品符合合兴企标 Q/HX J1150001 《产品及所用材料的环保要求》 I 类或顾客要求。

The connector should comply with CWB standard Q/HX J1150001 Class I or customer's requests

产品名称 Product Name:	TJC8	编号 Document No.	PS3879	版本号 VersionNo.	2
-----------------------	------	--------------------	--------	-------------------	---

### 5. 参数范围 Parameter Ratings:

额定电流 Rated Current	3A
适用 PCB 板 Applicable P.C.B	Board Thickness: 1.6mm Hole Diameter: 1.02mm~1.12 mm
额定电压 Rated Voltage	250V [AC(有效值 rms)/DC]
使用温度范围 Operating temperature range	-40°C ~ +105°C
适用线型 Applicable wires	Wire Size: AWG22~AWG28 (0.32mm <sup>2</sup> -0.08 mm <sup>2</sup> ) Insulation Diameter: 1.6mm-1.2mm

### 6. 产品性能 Performance

#### 6.1 机械性能 Mechanical

序号 No.	项 目 Item	测试条件 Test Condition	规 格 Requirement	
6.1.1	外观 Appearance	目测 Checking by eye 视力: 1.0 以上 Eyesight: > 1.0 照明: (200~300) lx Lamp: (200~300) lx 目测距离: (0.3~0.5) m Space: (0.3~0.5) m <b>GB/T 5095.1 Method 1a</b>	1. 塑料件表面应无明显疤痕、凹陷、开裂及影响使用的变形。 Plastic part: smooth and flat surface without discolor, broken, crack, and distortion, etc. 2. 金属件表面无锈蚀、氧化、无明显的机械损伤及电镀层脱落等缺陷。 Metal part: bright and even surface without rust, oxide, fog and obvious physical damage, etc.	
6.1.2	端子的插入力与固定力 Insertion force and Retention Force for Contact	固定连接器/或测力计, 在连接器轴线方向插入和拔出; 速度不大于 25 mm/min. Axial Insert and withdraw force on the contact in the housing at a rate less than 25 mm/min. <b>GB/T 5095.8 Method 15d / EIA-364-29B</b>	插入力 (Insertion) Max.	固定力(Retention) Min.
			10N	15N
6.1.3	针的固定力 Retention Force for Pin	固定连接器/或测力计, 在连接器轴线方向施加规定的推力进行测试, 速度不大于 25mm/min。 Apply thrust force on the pin in the wafer at a rate of 25 mm/min . <b>GB/T 5095.8 Method 15a / EIA-364-29B</b>	8N Min	
6.1.4	压着部位抗张强度 Crimping Pull Out Force	在试验装置夹头中固定试验样品, 在连接的轴线方向施加张力;速度不大于 25mm/min. Fix the crimped contact, Axial pull out force on the contact in the housing at a rate less than 25 mm/min. <b>GB/T5095.8 Method 16d / EIA-364-08B</b>	AWG 28: 10N Min. AWG 26: 20N Min. AWG 24: 30N Min. AWG 22: 40N Min.	

产品名称 Product Name:	TJC8	编号 Document No.	PS3879	版本号 VersionNo.	2
-----------------------	------	--------------------	--------	-------------------	---



# 产品规格书

## PRODUCT SPECIFICATION

6.1.5	成品插入力与拔出力 Insertion and Withdrawal Force for Connector	固定连接器和/或测力计, 在连接器轴线方向插入和拔出; 速度不大于 <b>25mm/min</b> . Apply Axial Insert and withdraw force on the contact in the housing at a rate less than <b>25 mm/min</b> . <b>GB/T 5095.7 Method 13b / EIA-364-13B</b>	插入力(最大值) Insertion(Max.)	拔出力(最小值) Withdrawal(Min)
			13N Max. per Pin	0.7N Min per Pin
6.1.6	机械振动 Random Vibration	<p>插合连接器, 串联在一直流电源上, 电流<b>100mA</b>; 并模拟正常工作状态; 振频为 (<b>10~55~10</b>) Hz, 每个循环时间为<b>1分钟</b>, 振幅<b>1.52mm</b>。沿XYZ三轴正反方向各循环<b>2h</b>。</p> <p>Mated connectors subjected to following vibration conditions, for a period of <b>2 hours</b> in each of 3 mutually perpendicular axes, <b>100 mA</b> current shall be applied. Frequency: (<b>10~55~10</b>) HZ/min. Amplitude: <b>1.52mm</b> <b>GB/T 5095.4 Method 6d / EIA-364-28D</b></p>	<p>外观: 无损伤 (参照6.1.1) Appearance: No damage.( refer to 6.1.1) 接触电阻: <b>0.04Ω Max.</b> Contact resistance: <b>0.04Ω Max.</b> 中断: <b>1μsec Max.</b> &lt;<b>1μsec</b> discontinuity</p>	
6.1.7	机械冲击 Shock	<p>连接器相配, 沿XYZ三轴正反方向各冲击<b>3次</b>(总共<b>18次</b>), 在测试过程中通以<b>100mA</b>电流。 冲击强度: <b>490m/s<sup>2</sup></b> 持续时间: <b>11ms</b></p> <p>Mated connectors and subject to the following shock conditions, <b>3times</b> of shock shall be applied for each 6 directions along 3 mutually perpendicular axes, passing DC <b>100mA</b> current during the test.(Total of 18 shocks) Test Pulse: Half Sine Peak Value: <b>490m/s<sup>2</sup></b> Duration: <b>11ms</b> <b>GB/T 5095.4 Method 6c / EIA-364-27B</b></p>	<p>外观: 无损伤 (参照6.1.1) Appearance: No damage.( refer to 6.1.1) 接触电阻: <b>0.04Ω Max.</b> Contact resistance: <b>0.04Ω Max.</b> 中断: <b>1μsec Max.</b> &lt;<b>1 μs</b> discontinuity</p>	
6.1.8	机械寿命 Durability	<p>以每分钟 <b>10</b> 次的速度插拔 <b>50</b> 次。 <b>50 cycles</b> mating and unmating test at the speed <b>10</b> cycles per minute <b>GB/T 5095.5 Method 9a / EIA-364-09C</b></p>	<p>外观: 无损伤 (参照6.1.1) Appearance: No damage.( refer to 6.1.1) 接触电阻: <b>0.04Ω Max.</b> Contact resistance: <b>0.04Ω Max.</b></p>	

## 6.2 电气性能 Electrical

序号 No.	项目 Item	测试条件 Test Condition	规格 Requirement
6.2.1	接触电阻 Contact Resistance	<p>插配阴阳连接器后, 用小功率电路进行测试 Mated connectors with dry circuit to test Contact Resistance <b>GB/T 5095.2 Method 2a / EIA-364-23B</b></p>	<p><b>0.02 Ω Max.</b> ( Initial) <b>0.04 Ω Max.</b> (Final)</p>
6.2.2	绝缘电阻 Insulation Resistance	<p>在相邻接触件之间或地线之间, 用 <b>500V DC</b> 电压进行测试。 Apply a voltage of <b>500V DC</b> between adjacent contacts and between contacts to ground. <b>GB/T 5095.2 Method 3a / EIA-364-21C</b></p>	<p><b>1000 MΩ Min.</b> ( Initial) <b>500 MΩ Min.</b> (Final)</p>

产品名称 Product Name:	TJC8	编号 Document No.	PS3879	版本号 VersionNo.	2
-----------------------	------	--------------------	--------	-------------------	---

6.2.3	耐电压 Withstand Voltage	相邻接触件之间或地线之间施加 <b>800V AC</b> (有效值),漏电流 <b>1mA</b> 的电压作用,时间 <b>1min</b> . Apply a voltage of <b>AC 800V</b> for <b>1 minute</b> between adjacent contacts and between contacts to ground. <b>GB/T 5095.2 Method 4a / EIA-364-20B</b>	外观: 无击穿和飞弧现象 Appearance: No Breakdown or flashover
6.2.4	温升 Temperature Rise	插合连接器, 通以最大允许电流, 测温度的差值 Mated connectors and measure the temperature rise of contact when the maximum AC rated current is passed. <b>GB/T 5095.3 Method 5a / EIA-364-70A</b>	<b>Δ60°C Max.</b>

### 6.3 环境性能 Environmental

序号 No.	项 目 Item	测试条件 Test Condition	规 格 Requirement										
6.3.1	耐高温 Heat Resistance	连接器配合后, 于 <b>105±2°C</b> 的空气中放置 <b>96</b> 小时, 再回到室温中放置 <b>1-2</b> 小时测定 Mated connectors exposed to the condition of <b>105±2°C</b> for <b>96</b> hours. Recovery time <b>1~2</b> hours <b>GB/T 5095.6 Method 11i / EIA-364-17B</b>	外观: 无损伤 (参照6.1.1) Appearance: No damage.(refer to 6.1.1) 接触电阻: <b>0.04Ω Max.</b> Contact resistance: <b>0.04Ω Max.</b>										
6.3.2	耐低温 Cold Resistance	连接器配合后, 于 <b>-40±2°C</b> 的空气中放置 <b>96</b> 小时, 再回到室温中放置 <b>1-2</b> 小时测定 Mated connectors exposed to the condition of <b>-40±2°C</b> for <b>96</b> hours. Recovery time <b>1~2</b> hours <b>GB/T 5095.6 Method 11j / EIA-364-17B</b>	外观: 无损伤 (参照6.1.1) Appearance: No damage.(refer to 6.1.1) 接触电阻: <b>0.04Ω Max.</b> Contact resistance: <b>0.04Ω Max.</b>										
6.3.3	恒定湿热 Humidity	温度 <b>40±2°C</b> , 相对湿度( <b>90~95</b> )% 搁置时间 <b>96h</b> , 取出恢复 <b>1~2h</b> 后检查。 Mated connectors exposed to the condition of <b>40±2°C (90~95) % Humidity</b> for <b>96</b> hours. Recovery time <b>1~2</b> hours <b>GB/T 5095.6 Method 11c / EIA-364-31B</b>	外观: 无损伤 (参照6.1.1) Appearance: No damage.(refer to 6.1.1) 接触电阻: <b>0.04Ω Max.</b> Contact resistance: <b>0.04Ω Max.</b> 绝缘电阻: <b>500 MΩ Min.</b> Insulation Resistance : <b>500 MΩ Min.</b> 耐电压: <b>500V Min.</b> Withstand Voltage: <b>500V Min.</b>										
6.3.4	温度循环 Temperature Cycling	把试验样品分别放入高、低温试验箱中, 按下列步骤调试温度: a) 在( <b>-55±2</b> )°C的恒温条件下放置 <b>0.5h</b> ; b) 在( <b>85±2</b> )°C的恒温条件下放置 <b>0.5h</b> ; 从 a)到 b)为一个循环周期, 共进行 <b>5</b> 个循环,恢复 <b>1~2h</b> 后检查。 Mated connectors shall be tested under the following conditions <table style="width: 100%; border-collapse: collapse;"> <thead> <tr> <th style="text-align: left;">Temperature °C</th> <th style="text-align: left;">Duration (Minutes)</th> </tr> </thead> <tbody> <tr> <td>1    <b>-55</b></td> <td><b>30</b></td> </tr> <tr> <td>2    <b>+25</b></td> <td><b>5Max.</b></td> </tr> <tr> <td>3    <b>+85</b></td> <td><b>30</b></td> </tr> <tr> <td>4    <b>+25</b></td> <td><b>5Max.</b></td> </tr> </tbody> </table> Step 1 to 4 is one cycle, <b>5</b> cycles shall be tested. Recovery time <b>1~2</b> hours. <b>GB/T 5095.6 method 11d / EIA-364-32C</b>	Temperature °C	Duration (Minutes)	1 <b>-55</b>	<b>30</b>	2 <b>+25</b>	<b>5Max.</b>	3 <b>+85</b>	<b>30</b>	4 <b>+25</b>	<b>5Max.</b>	外观: 无损伤 (参照6.1.1) Appearance: No damage.(refer to 6.1.1) 接触电阻: <b>0.04Ω Max.</b> Contact resistance: <b>0.04Ω Max.</b> 绝缘电阻: <b>500 MΩ Min.</b> Insulation Resistance : <b>500 MΩ Min.</b> 耐电压: <b>500V Min.</b> Withstand Voltage: <b>500V Min.</b>
Temperature °C	Duration (Minutes)												
1 <b>-55</b>	<b>30</b>												
2 <b>+25</b>	<b>5Max.</b>												
3 <b>+85</b>	<b>30</b>												
4 <b>+25</b>	<b>5Max.</b>												

产品名称 Product Name:	TJC8	编号 Document No.	PS3879	版本号 VersionNo.	2
-----------------------	------	--------------------	--------	-------------------	---



# 产品规格书

## PRODUCT SPECIFICATION

6.3.5	盐雾 Salt Spray	把试验样品从试验箱顶悬挂下来, 采用浓度为(5±1)% (质量百分比)的氯化钠溶液, 在(35±2)℃温度下连续雾化16h, 试验后用流动的蒸馏水轻轻洗去表面沉积物。在常温常湿条件下恢复 1~2h 16 hours spray, at temp (35±2)℃, Salt NaCl mist (5±1)% After test wash parts and return to room ambient for 1~2 hours <b>GB/T 5095.6 Method 11f /EIA-364-26B</b>	外观: 无损伤(五金件应无露出底金属的严重锈蚀;使用预镀好的型材, 其落料面允许有不影响其性能的轻微腐蚀。) Appearance: No Damage (No erosion with material exposed. And with plating material, slight erosion on the cutting surface is acceptable) 接触电阻: <b>0.04Ω Max.</b> Contact resistance: <b>0.04Ω Max.</b>
6.3.6	可焊性 Solderability	把试验样品需要焊接的部位浸入焊锡炉中, 锡炉温度(240±5)℃, 时间(2±0.5)s Dip solder tails into the molten solder(held at (240±5) °C for (2 ±0.5) sec. <b>GB/T 5095.6 Method 12a / EIA-364-52</b>	上锡率≥90%: Solder coverage: ≥90%
6.3.7	耐焊接热 Resistance to Soldering Heat	把试验样品需要焊接的部位浸入焊锡炉中, 锡炉温度(260±5)℃; 时间(5±1)s后, 在正常条件下恢复 1~2h。 Dip solder tails into the molten solder(held at (260±5) °C for (5 ±1) sec., Recovery time 1~2 hours <b>GB/T 5095.6 Method 12d / EIA-364-56A</b>	外观: 无损伤(参照6.1.1) Appearance: No damage.( refer to 6.1.1)

产品名称 Product Name:	TJC8	编号 Document No.	PS3879	版本号 VersionNo.	2
-----------------------	------	--------------------	--------	-------------------	---



# 产品规格书

## PRODUCT SPECIFICATION

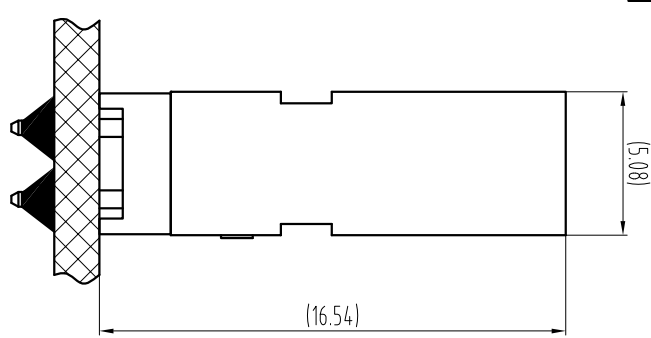
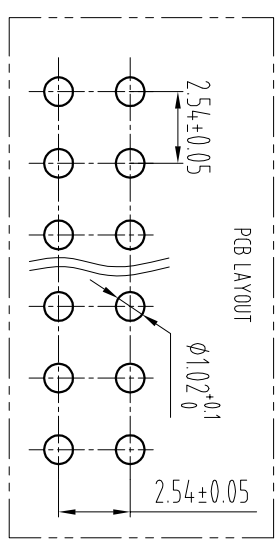
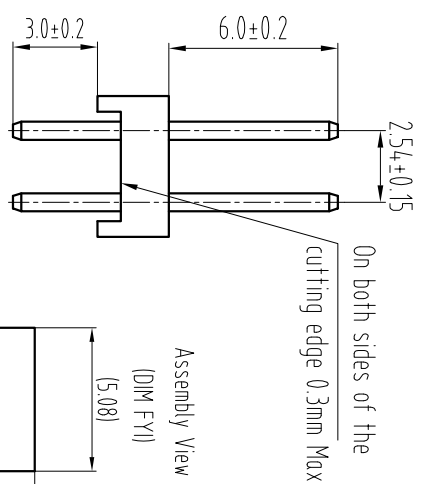
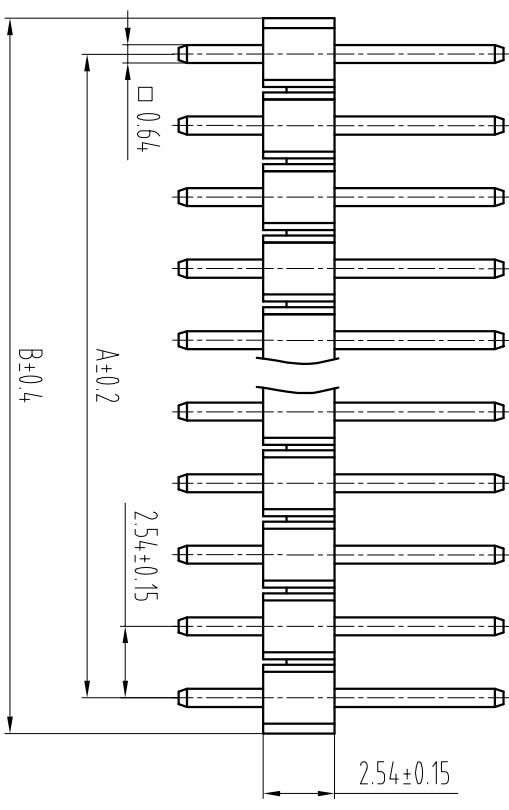
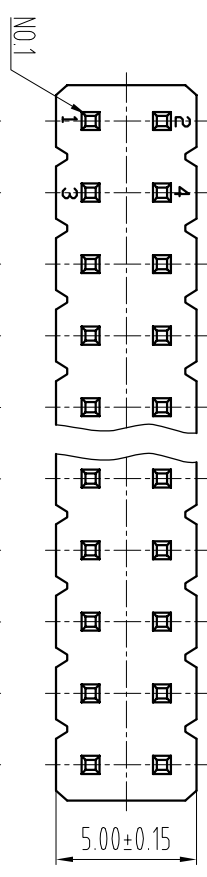
### 7. 测试分组 Test Sequences (Samples: 5PCS)

测试组 GROUP NUMBER	A	B	C	D	E	F	G	H	I	J	K	L	M	N	O
外观 Appearance	1	1	1	1	1,5	1,5	1,7	1	1,5	1,5	1,7	1,6	1,5	1,3	1,3
端子的固定力 Retention Force for terminal	2														
针的固定力 Pin Retention Force		2													
压着部位抗张强度 Crimping Pull Out Force			2												
成品插入力与拔出力 Insertion and Withdrawal Force for Connector				2											
机械振动 Random Vibration					3										
机械冲击 Shock						3									
机械寿命 Durability							5								
接触电阻 Low Level Contact Resistance					2,4	2,4	2,6		2,4	2,4	2,4	2,4	2,4		
绝缘电阻 Insulation Resistance							3				5	5			
耐电压 Withstand Voltage							4				6				
温升 Temperature Rise								2							
耐高温 Heat Resistance									3						
耐低温 Cold Resistance										3					
恒定湿热 Humidity											3				
温度循环 Temperature cycling												3			
盐雾 Salt Spray													3		
可焊性 Solderability														2	
耐焊接热 Resistance to Soldering Heat															2

产品名称 Product Name:	TJC8	编号 Document No.	PS3879	版本号 VersionNo.	2
PAGE: 8 / 8					



General Tolerance		Dimension	Tolerance	Rev No	Location	Description	Reviser	Date
0-3	±0.13	△				Version upgrade	Ji Wu	2018.5.10
3-18	±0.23				H8	Version upgrade	Ji Wu	2019.1.10
18-50	±0.35							
>50	±0.55							



40	TJCR-2X20A	48.26	50.8
38	TJCR-2X19A	45.72	48.26
36	TJCR-2X18A	43.18	45.72
34	TJCR-2X17A	40.64	43.18
32	TJCR-2X16A	38.1	40.64
30	TJCR-2X15A	35.56	38.1
28	TJCR-2X14A	33.02	35.56
26	TJCR-2X13A	30.48	33.02
24	TJCR-2X12A	27.94	30.48
22	TJCR-2X11A	25.4	27.94
20	TJCR-2X10A	22.86	25.4
18	TJCR-2X9A	20.32	22.86
16	TJCR-2X8A	17.78	20.32
14	TJCR-2X7A	15.24	17.78
12	TJCR-2X6A	12.7	15.24
10	TJCR-2X5A	10.16	12.7
8	TJCR-2X4A	7.62	10.16
6	TJCR-2X3A	5.08	7.62
4	TJCR-2X2A	2.54	5.08
	Part No	A	B
	(KrisIn)	Dimensions	

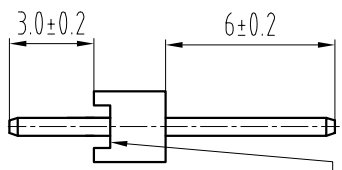
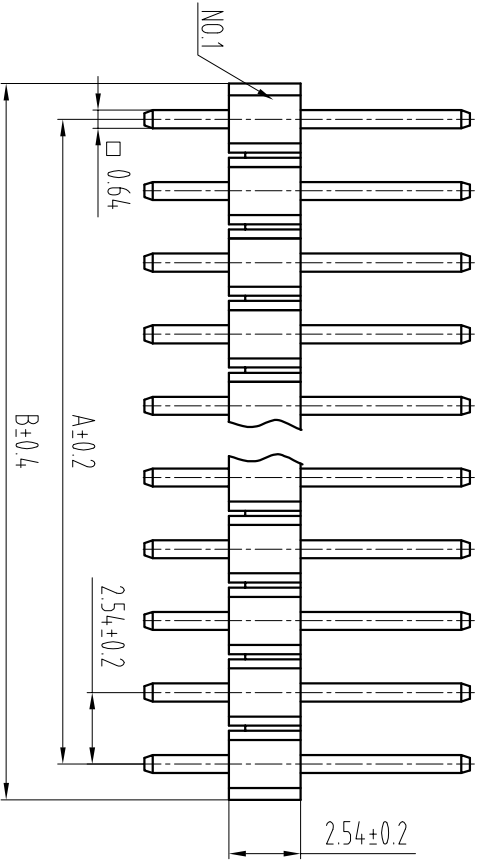
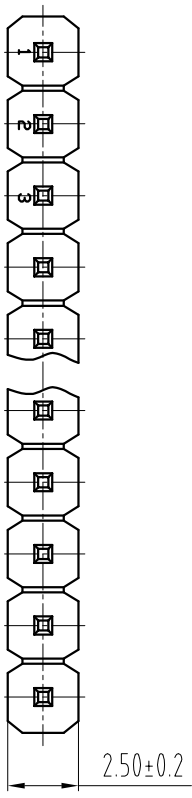
- Notes:
1. Material: PBT+30%GF UL94V-0/PA6T UL94V-0;  
Brass, Tin over nickel plating/gold over nickel plating;
  2. Matched Housing: TJCR-2xN Y;
  3. Packaging: Packing bag;
  4. Compliant To The Current RoHS.

CUSTOMER DRAWING

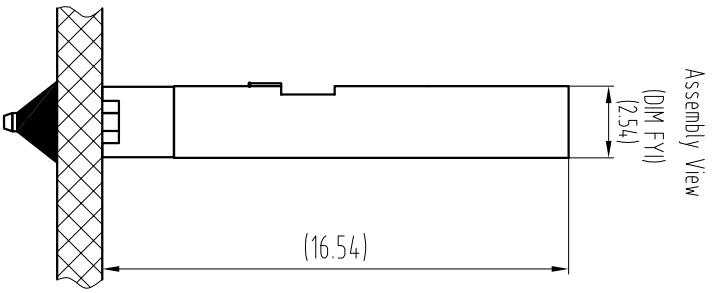
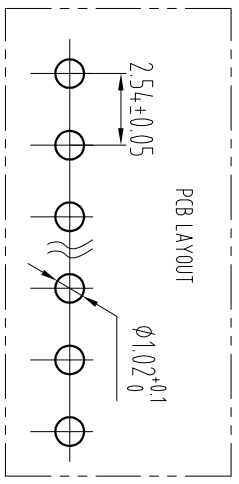
Title: 254mm Pitch WTB Header

Drawn	Lingling Zhong 2016.4.26	Unit	mm	Scale	4:1	Size	A4	Edition	B2	Part No.:	TJCR-2XnA
Checked	Qiu Wang 2019.11.11	Sheet No.	1 of 1							Document No.:	CP-DWG-00130
Approved	Dongxu Liu 2019.11.2	CWB		浙江台兴电子元件有限公司		CWB Electronics (Zhejiang) Co., Ltd.		Specification No.:		PS5879	

General Tolerance		Dimension	Tolerance	Rev No	Location	Description	Reviser	Date
0-3	±0.13					Version upgrade	Ji Wu	2018.5.10
3-18	±0.23				H8	Version upgrade	Ji Wu	2019.1.10
18-50	±0.35							
>50	±0.55							



On both sides of the cutting edge 0.3mm Max



Part No.	Dimensions
12	TJG8-12A 27.94 30.48
11	TJG8-11A 25.4 27.94
10	TJG8-10A 22.86 25.4
9	TJG8-9A 20.32 22.86
8	TJG8-8A 17.78 20.32
7	TJG8-7A 15.24 17.78
6	TJG8-6A 12.7 15.24
5	TJG8-5A 10.16 12.7
4	TJG8-4A 7.62 10.16
3	TJG8-3A 5.08 7.62
2	TJG8-2A 2.54 5.08

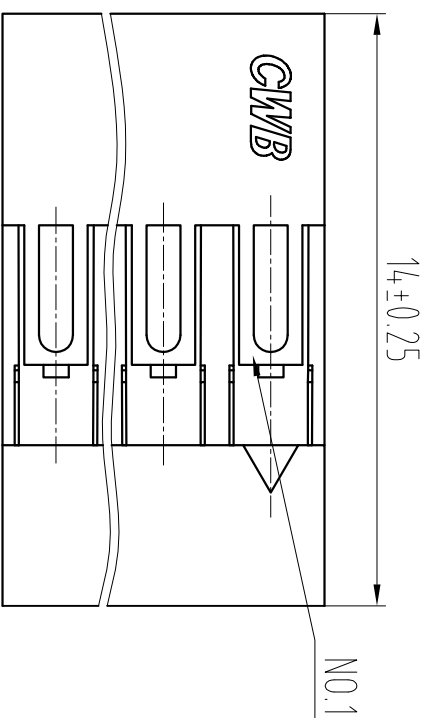
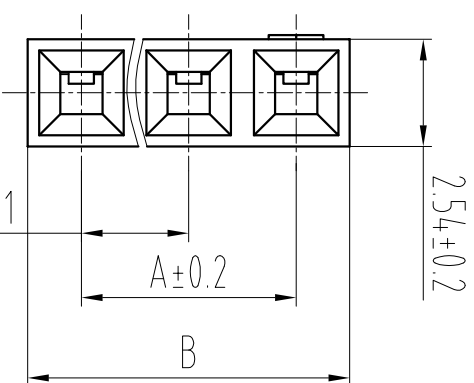
- Notes:
- 1.Material: PBT+30%GF UL94V-0/PA6T UL94V-0;  
Brass,Tin over nickel plating/gold over nickel plating;
  - 2.Matched Housing: TJG8-nY;
  - 3.Packaging: Packing bag;
  - 4.Compliant To The Current RoHS.

CUSTOMER DRAWING

Title: 254mm Pitch WTB Header

Drawn	Lingling Zhang 2016.4.26	Unit	mm	Scale	4:1	Size	A4	Edition	B2	Part No.:	TJG8-nA	
Checked	Qiu Wang 2019.1.11	Sheet No.	1 of 1		Document No.:		CP-DWG-00158	Specification No.:				PS3819
Approved	Dongxu Liu 2019.1.12	<b>CWB</b> 浙江合兴电子有限公司 CWB Electronics (Zhejiang) Co., Ltd.										

General Tolerance		Dimension	Tolerance	Rev. No	Location	Description	Reviser	Date
	0~3	±0.13			H8	Version upgrade	Ji.Wu	2019.1.10
	3~18	±0.23						
	18~50	±0.35						
	≥50	±0.55						



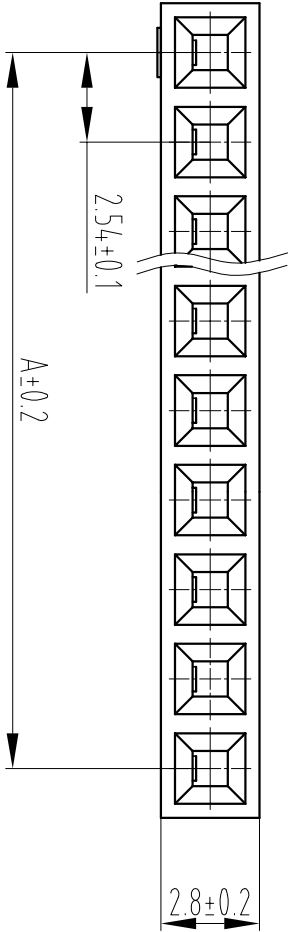
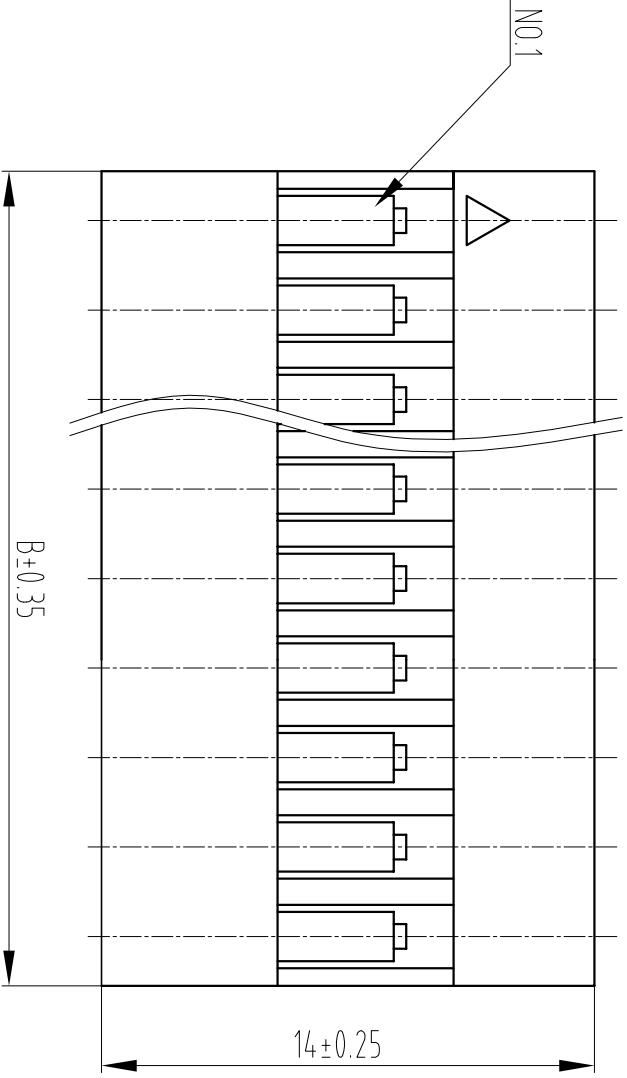
7	TJCG-7Y	15.24	17.78
6	TJCG-6Y	12.70	15.24
5	TJCG-5Y	10.16	12.70
4	TJCG-4Y	7.62	10.16
3	TJCG-3Y	5.08	7.62
2	TJCG-2Y	2.54	5.08
1	TJCG-1Y	/	2.54
(Kts(n)	Part No.	Dimensions	
		A	B

Notes:

1. Material: PP0 UL94 V-0;
2. Matched Header: TJCG-1A ~ 7A Series Header;
3. Matched Contact: TJCG;
4. Packaging: Packing bag;
5. Compliant To The Current RoHS.

CUSTOMER DRAWING				Title:							
Drawn	Lingling Zhang 2016.4.26	Unit	mm	Scale	6:1	Size	A4	Edition	B2	Part No.:	TJCG-1Y~7Y
Checked	Qu Wang 2019.1.11	Sheet No.	1 OF 1	Housing				Document No.:	CP-DWG-00160		
Approved	Dongxu Liu 2019.1.12	CMB 浙江合兴电子元件有限公司 CMB SVR Electronics (Zhejiang) Co., Ltd.		Specification No.:				PS3879			

General Tolerance			
Dimension	Tolerance	Rev. No	Location
0~3	±0.13		H8
3~18	±0.23		Version upgrade
18~50	±0.35		
≥50	±0.55		



Kit(s)n	Part No.	Dimensions	
		A	B
12	TJc8-12Y	27.94	30.74
11	TJc8-11Y	25.40	28.20
10	TJc8-10Y	22.86	25.66
9	TJc8-9Y	20.32	23.12
8	TJc8-8Y	17.78	20.58

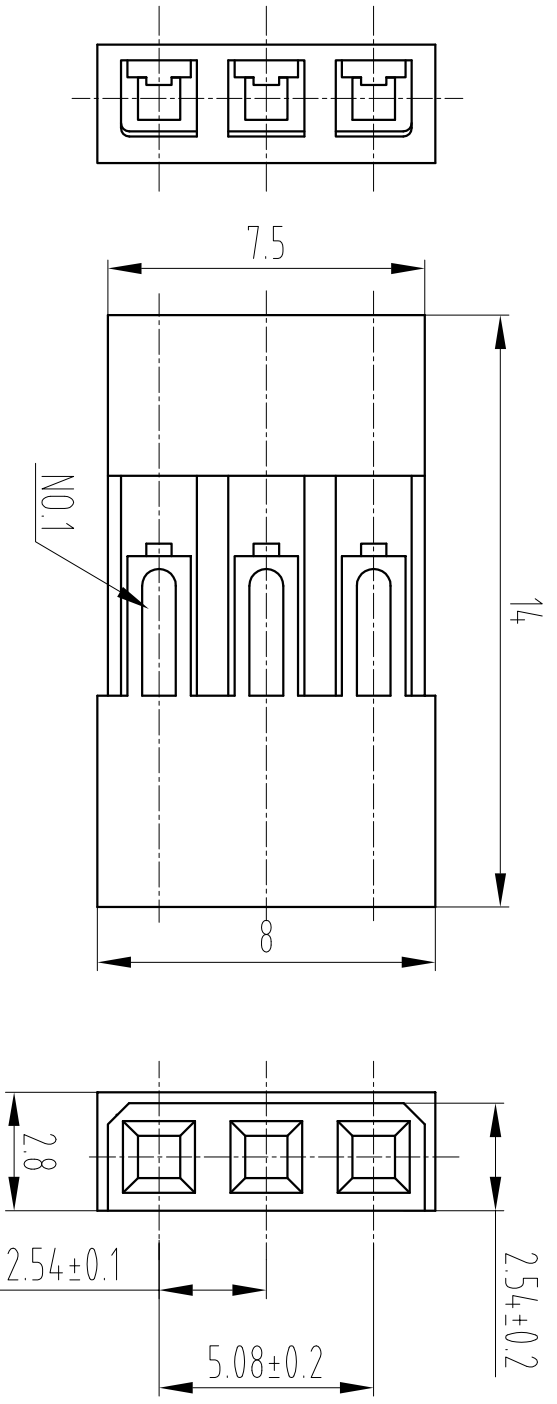
Notes:

- 1.Material: PA66 UL94 V-0/PA66 UL94 V-2;
- 2.Matched Header: TJc8-8A~12A Series Headers;
- 3.Matched Contact: TJc8;
- 4.Packaging: Packing bag;
- 5.Compliant To The Current RoHS.

CUSTOMER DRAWING				Title: 254mm Pitch WTB Housing	
Drawn	Lingling Zhang 2016.4.23	Unit	mm	Scale	5:1
Checked	Qu Wang 2019.1.11	Sheet No.	1 OF 1	Size	A4
Approved	Dongxu Liu 2019.1.12			Edition	B1
			Part No.:		TJc8-8Y~12Y
			Document No.:		CP-DWG-00162
			Specification No.:		PS3879

**CWB** 浙江合兴电子元件有限公司  
CWB Electronics (Zhejiang) Co., Ltd.

General Tolerance		Dimension	Tolerance	Rev. No	Location	Description	Reviser	Date
	0~3	±0.13			H8	Version upgrade	JiWu	2019.1.10
	3~18	±0.23						
	18~50	±0.35						
	≥50	±0.55						



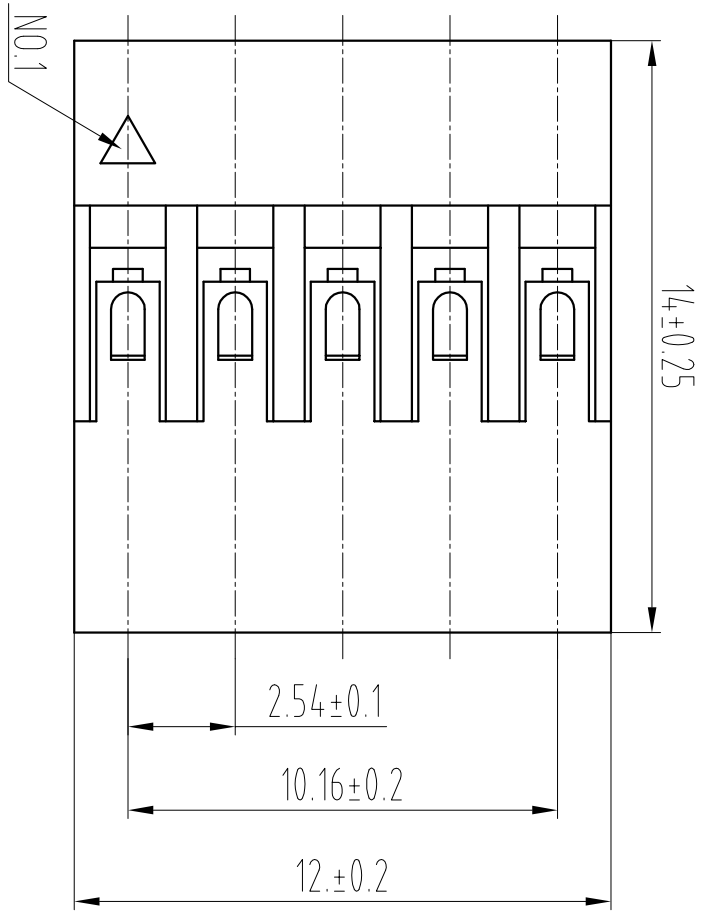
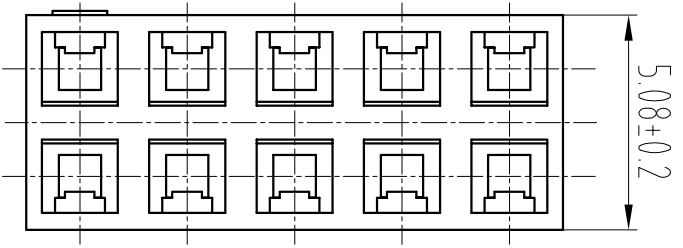
Notes:

1. Material: PP0 UL94 V-0
2. Matched Header: TJC8-3A Series Header;
3. Matched Contact: TJC8;
4. Packaging: Packing bags;
5. Compliant To The Current RoHS.

CUSTOMER DRAWING				Title:	
Drawn	Lingling Zhang 2006.4.26	Unit	mm	Scale	6:1
Checked	Qu Wang 2019.1.11	Sheet No.	1 of 1	Size	A4
Approved	Dongxu Liu 2019.1.12	Edition	B1	Part No.:	TJC8-3Y
				Document No.:	CP-DWG-00163
				Specification No.:	PS3879

**CWB** 浙江合兴电子元件有限公司  
CWB Electronics (Zhejiang) Co., Ltd.

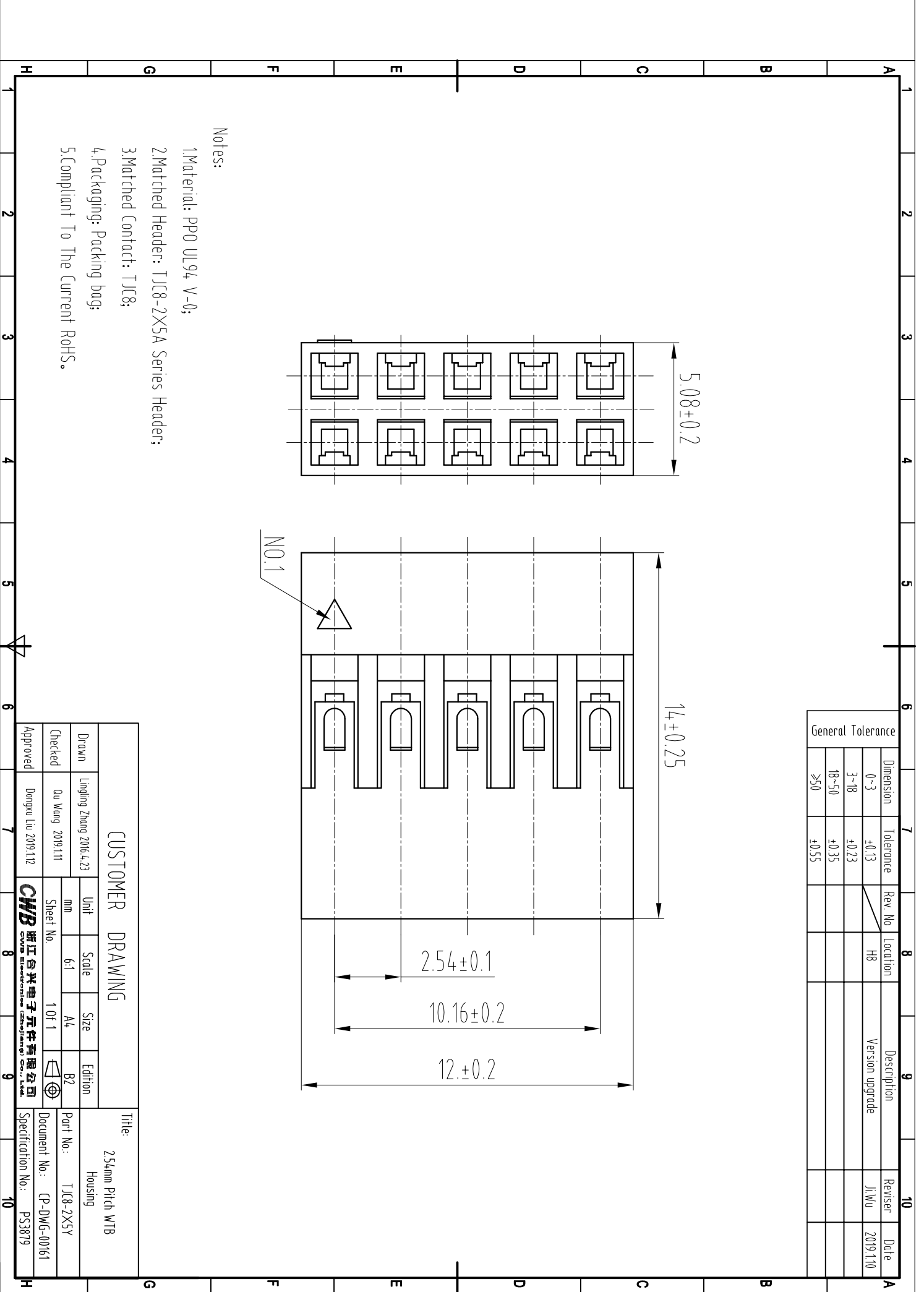
General Tolerance		Dimension	Tolerance	Rev. No	Location	Description	Reviser	Date
0~3	±0.13				H8	Version upgrade	Ji.Wu	2019.1.10
3~18	±0.23							
18~50	±0.35							
≥50	±0.55							



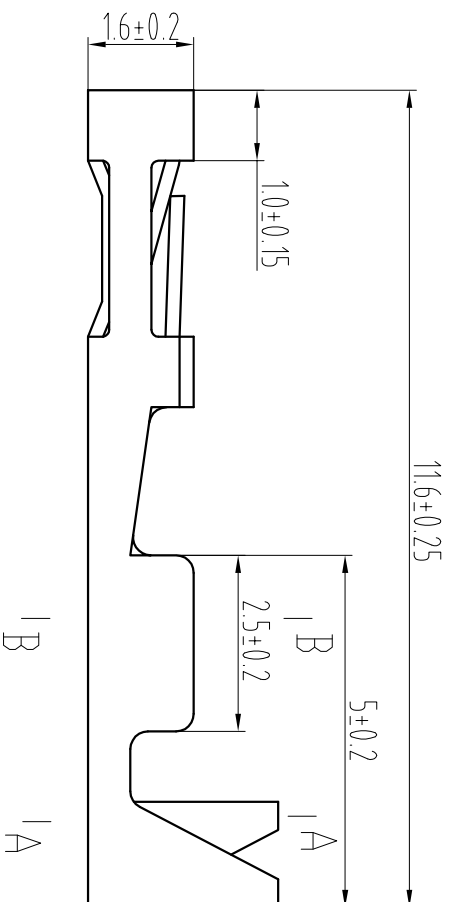
Notes:

- 1.Material: PP0 UL94 V-0;
- 2.Matched Header: TJC8-2X5A Series Header;
- 3.Matched Contact: TJC8;
- 4.Packaging: Packing bag;
- 5.Compliant To The Current RoHS.

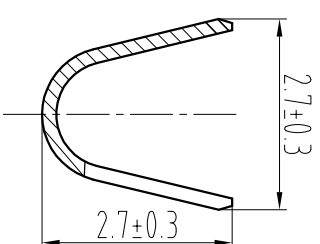
CUSTOMER DRAWING				Title:	
Drawn	Lingling Zhang 2016.4.23	Unit	mm	Scale	6:1
Checked	Qu Wang 2019.1.11	Sheet No.	1 OF 1	Size	A4
Approved	Dongxu Liu 2019.1.12	Edition	B2	Part No.:	TJC8-2X5Y
				Document No.:	CP-DWG-00161
				Specification No.:	PS3879



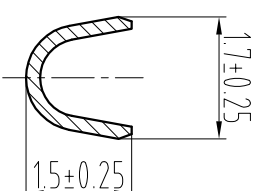
General Tolerance				7	8	9	10
Dimension	Tolerance	Rev No	Location	Description	Reviser	Date	
0~3	±0.13		H8	Version upgrade	JiWu	2019.1.10	
3~18	±0.23						
18~50	±0.35						
≥50	±0.55						



I B  
I A

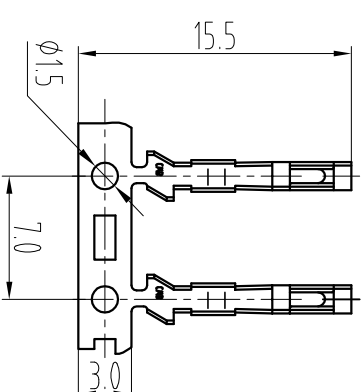
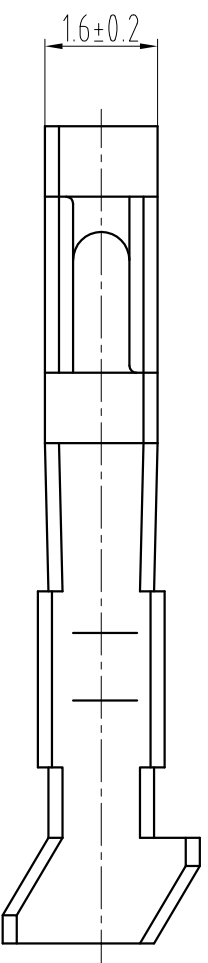


A-A



B-B

Contact View



Notes:

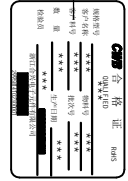
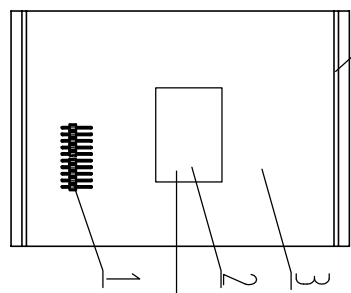
- 1.Material: Phosphor bronze, Thickness=0.2mm;
- 2.Surface Finish: Tin Plating;
- 3.Matched Housing: TJC8-nY, TJC8C-3Y, TJC8-2X5Y;
- 4.Applicable Wires: AWG22~AWG28;
- 5.Compliant To The Current RoHS.

CUSTOMER DRAWING				Title:	
Drawn	Lingling Zhang 2016.4.26	Unit	mm	Scale	10:1
Checked	Qiu Wang 2019.1.11	Sheet No.	1 OF 1	Size	A4
Approved	Dongxu Liu 2019.1.12	 <b>CWB</b> 浙江谷兴电子有限公司 CWB Electronics (Zhejiang) Co., Ltd.		Edition	B2
				Part No.:	TJC8
				Document No.:	CP-DWG-00159
				Specification No.:	PS3879
				2.54mm Pitch WTB Contact	

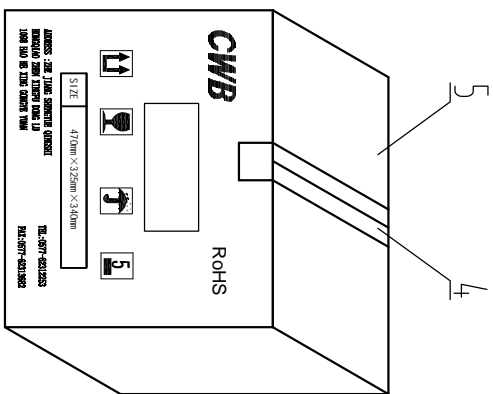
Dimension	Tolerance	Rev. No	Location	Description	Reviser	Date
0~3	±0.13		H8		JiWu	2019.1.10
3~18	±0.23			Version upgrade		
18~50	±0.35					
≥50	±0.55					

Packing bag

Sealed



Packing box



Number	Designation	Part No.	Pcs/bag	Remarks	Part No.	Pcs/bag	Remarks
1	TJCG Series Header	TJCG-2A	1000		TJCG-2X20A	1000	
2	Certificate	TJCG-3A	1000		TJCG-2X19A	1000	
3	Packing bag	TJCG-4A	1000		TJCG-2X18A	1000	
4	Gummed tape	TJCG-6A	1000		TJCG-2X17A	1000	
5	Packing box	TJCG-7A	1000		TJCG-2X16A	1000	
		TJCG-8A	1000		TJCG-2X15A	1000	
		TJCG-9A	1000		TJCG-2X14A	1000	
		TJCG-10A	1000		TJCG-2X13A	1000	
		TJCG-11A	1000		TJCG-2X12A	1000	
		TJCG-12A	1000		TJCG-2X11A	1000	
		TJCG-13A	1000		TJCG-2X10A	1000	
		TJCG-14A	1000		TJCG-2X9A	1000	
		TJCG-15A	1000		TJCG-2X8A	1000	
		TJCG-16A	1000		TJCG-2X7A	1000	
		TJCG-17A	1000		TJCG-2X6A	1000	
		TJCG-18A	1000		TJCG-2X5A	1000	
		TJCG-19A	1000		TJCG-2X4A	1000	
		TJCG-20A	1000		TJCG-2X3A	1000	
		TJCG-21A	1000		TJCG-2X2A	1000	

CUSTOMER DRAWING

Drawn	Lingling Zhang 2016.4.26	Unit	mm	Scale	/	Size	A4	Edition	B2	Title	Packaging Specification of 254mm Pitch WTB Header
Checked	Qu Wang 2019.1.11	Sheet No.	1 of 1							Part No.:	TJCG-0A/TJCG-2X0A
Approved	Dongxu Liu 2019.1.12									Document No.:	BZ-DWG-00077
										Specification No.:	P33879

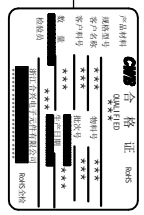
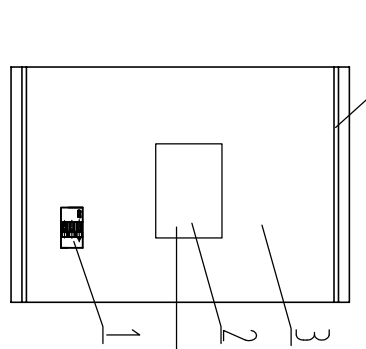




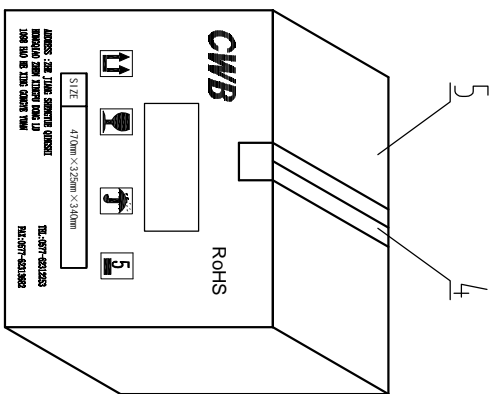
Dimension	Tolerance	Rev. No	Location	Description	Reviser	Date
0~3	±0.13		H8	Version upgrade	Ji.Wu	2019.1.10
3~18	±0.23					
18~50	±0.35					
≥50	±0.55					

Packing bag

Sealed



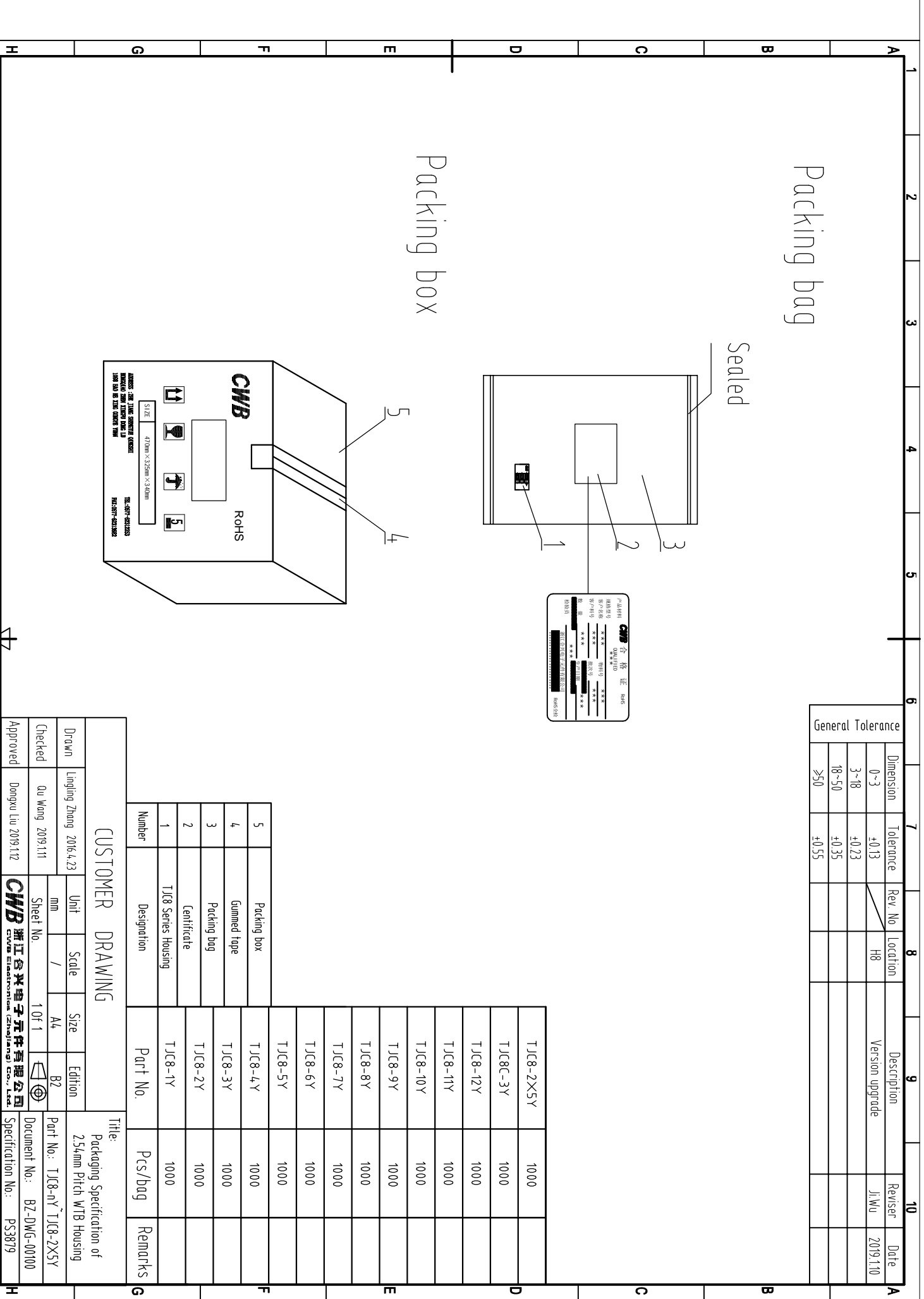
Packing box



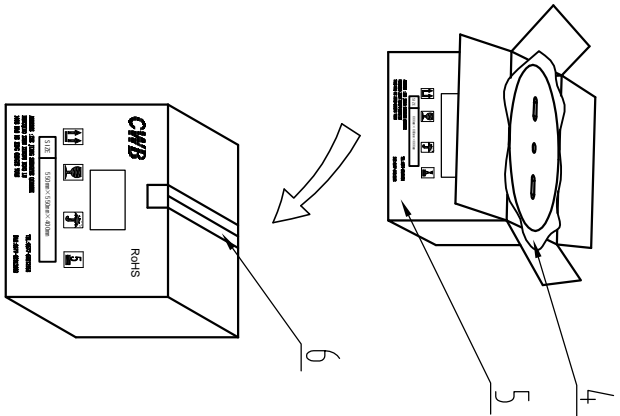
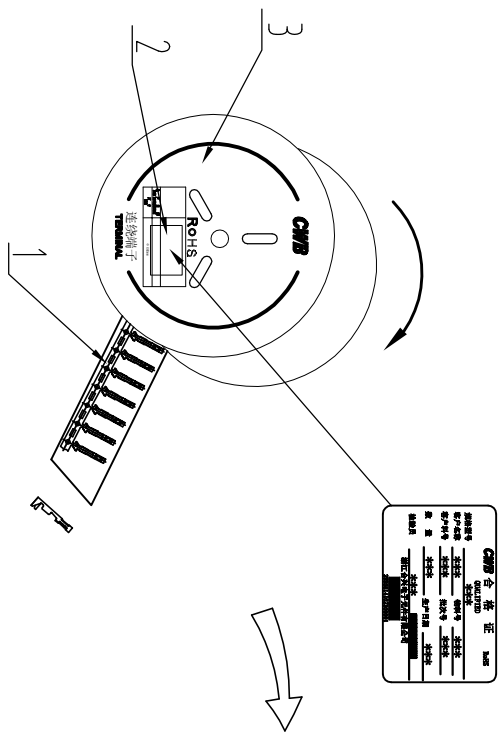
5	Packing box	TJc8-2X5Y	1000	
4	Gummed tape	TJc8C-3Y	1000	
3	Packing bag	TJc8-12Y	1000	
2	Certificate	TJc8-11Y	1000	
1	TJc8 Series Housing	TJc8-10Y	1000	
		TJc8-9Y	1000	
		TJc8-8Y	1000	
		TJc8-7Y	1000	
		TJc8-6Y	1000	
		TJc8-5Y	1000	
		TJc8-4Y	1000	
		TJc8-3Y	1000	
		TJc8-2Y	1000	
		TJc8-1Y	1000	

CUSTOMER DRAWING

CUSTOMER DRAWING				Title:	
Drawn	Lingling Zhang 2016.4.23	Unit	mm	Scale	1:1
Checked	Qu Wang 2019.1.11	Sheet No.	1 OF 1	Size	A4
Approved	Dongxu Liu 2019.1.12			Edition	B2
				Part No.:	TJc8-4Y~TJc8-2X5Y
				Document No.:	BZ-DWG-00100
				Specification No.:	P33879



Dimension	Tolerance	Rev. No	Location	Description	Reviser	Date
0~3	±0.13		H8	Version upgrade	Ji.Wu	2019.1.10
3~18	±0.23					
18~50	±0.35					
≥50	±0.55					



Number	Designation	Remarks
1	TJCB Contact	
2	Centrifuge	1000PPCS/reel
3	Reel	1000PPCS/reel
4	Packing bag	12000PPCS/bag
5	Packing box	12000PPCS/box
6	Gummed tape	

**CUSTOMER DRAWING**

Drawn	Lingling Zhang 2016.4.26	Unit	mm	Scale	/	Size	A4	Edition	B2	Part No.:	TJCB
Checked	Qiu Wang 2019.1.11	Sheet No.	1 of 1							Document No.:	BZ-DWG-00099
Approved	Dongxu Liu 2019.1.12									Specification No.:	PS3879

**CMB** 浙江合兴电子元件有限公司  
CMB Electronics (Zhejiang) Co., Ltd.

