



# MASTER LEDtube GA —— 新一代的节能管照明

## MASTER LEDtube GA 灯管

飞利浦 MASTER LEDtube 内建 LED 光源，在传统线性荧光灯外型中融合了雾面外盖设计，这项产品的长使用寿命与出色的流明维持率，将更换灯泡的麻烦减到最少，同时降低了维护成本。提供完整系列。

### 优点

- 节能环保，适合公共场所照明应用环境
- 使用寿命长达 30000 小时,维修成本少
- 直接替换 T8 荧光灯管,使用简单方便

### 特点

- 节能环保，适合公共场所照明应用环境
- 使用寿命长达 30000 小时,维修成本少
- 直接替换 T8 荧光灯管,使用简单方便

### 应用

- 停车场照明，工厂照明
- 办公室照明
- 公共场所照明

### 安全提示

· -

# MASTER LEDtube GA 灯管

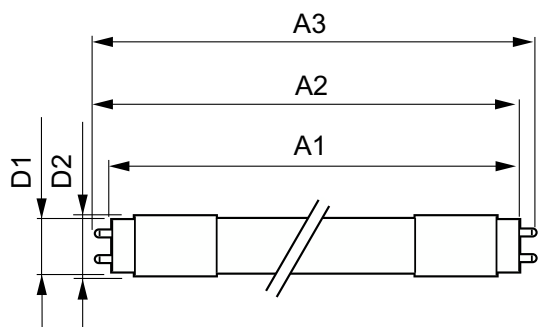
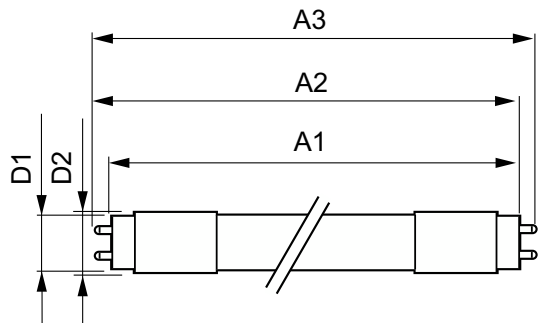
## Versions



LEDtube Starter

# MASTER LEDtube GA 灯管

## 二维绘图



Product	D1	D2	A1	A2	A3
MAS LEDtube 1200mm UO 14.7W 830 T8	25.8 mm	28 mm	1,198.2 mm	1,205.3 mm	1,212.4 mm
MAS LEDtube 1200mm UO 14.7W 840 T8	25.8 mm	28 mm	1,198.2 mm	1,205.3 mm	1,212.4 mm
MAS LEDtube 1200mm UO 14.7W 865 T8	25.8 mm	28 mm	1,198.2 mm	1,205.3 mm	1,212.4 mm
MAS LEDtube 1500mm UO 21.7W 830 T8	25.8 mm	28 mm	1,498.8 mm	1,505.9 mm	1,513 mm
MAS LEDtube 1500mm UO 21.7W 840 T8	25.8 mm	28 mm	1,498.8 mm	1,505.9 mm	1,513 mm
MAS LEDtube 1500mm UO 21.7W 865 T8	25.8 mm	28 mm	1,498.8 mm	1,505.9 mm	1,513 mm
MAS LEDtube 900mm HO 12W 840 T8	25.78 mm	28 mm	893.3 mm	900.4 mm	907.5 mm
MAS LEDtube 900mm HO 12W 865 T8	25.78 mm	28 mm	893.3 mm	900.4 mm	907.5 mm

Product	D1	D2	A1	A2	A3
MAS LEDtube 1050mm 16W 840 T8	25.8 mm	28 mm	1,045.8 mm	1,052.9 mm	1,060 mm
MAS LEDtube 1200mm HO 12.5W 830 T8	25.8 mm	28 mm	1,198.2 mm	1,205.3 mm	1,212.4 mm
MAS LEDtube 1200mm HO 12.5W 840 T8	25.8 mm	28 mm	1,198.2 mm	1,205.3 mm	1,212.4 mm
MAS LEDtube 1200mm HO 12.5W 865 T8	25.8 mm	28 mm	1,198.2 mm	1,205.3 mm	1,212.4 mm
MAS LEDtube 1200mm HO 14W830 T8	25.8 mm	28 mm	1,198.2 mm	1,205.3 mm	1,212.4 mm
MAS LEDtube 1200mm HO 14W840 T8	25.8 mm	28 mm	1,198.2 mm	1,205.3 mm	1,212.4 mm
MAS LEDtube 1200mm HO 14W865 T8	25.8 mm	28 mm	1,198.2 mm	1,205.3 mm	1,212.4 mm
MAS LEDtube 1500mm HO 18.2W 830 T8	25.8 mm	28 mm	1,498.8 mm	1,505.9 mm	1,513 mm
MAS LEDtube 1500mm HO 18.2W 840 T8	25.8 mm	28 mm	1,498.8 mm	1,505.9 mm	1,513 mm
MAS LEDtube 1500mm HO 18.2W 865 T8	25.8 mm	28 mm	1,498.8 mm	1,505.9 mm	1,513 mm
MAS LEDtube 600mm HO 8W830 T8	25.8 mm	28 mm	588.5 mm	595.5 mm	602.5 mm
MAS LEDtube 600mm HO 8W840 T8	25.8 mm	28 mm	588.5 mm	595.5 mm	602.5 mm
MAS LEDtube 600mm HO 8W865 T8	25.8 mm	28 mm	588.5 mm	595.5 mm	602.5 mm
MAS LEDtube STD 1200mm 10.5W840 T8	25.8 mm	28 mm	1,198.2 mm	1,205.3 mm	1,212.4 mm
MAS LEDtube STD 1200mm 10.5W865 T8	25.8 mm	28 mm	1,198.2 mm	1,205.3 mm	1,212.4 mm

# MASTER LEDtube GA 灯管

## 灯技术

标称使用寿命结束时灯的光通维持率 (标称) 70 %

## 控制和调光

可调光 否

## 一般信息

Order Code	Full Product Name	底座	切换循环	标称使用寿命	Order Code	Full Product Name	底座	切换循环	标称使用寿命
929001298402	MAS LEDtube 900mm HO 12W 840 T8	G13 ROT	200,000	75,000 小时	929003556208	MAS LEDtube 1200mm HO 14W865 T8	G13	200,000	60,000 小时
929001298502	MAS LEDtube 900mm HO 12W 865 T8	G13 ROT	200,000	75,000 小时	929003557208	MAS LEDtube 600mm HO 8W830 T8	G13	200,000	60,000 小时
929002998202	MAS LEDtube 1200mm UO 14.7W 830 T8	G13 ROT	200,000	75,000 小时	929003557308	MAS LEDtube 600mm HO 8W840 T8	G13	200,000	60,000 小时
929002998302	MAS LEDtube 1200mm UO 14.7W 840 T8	G13 ROT	200,000	75,000 小时	929003557408	MAS LEDtube 600mm HO 8W865 T8	G13	200,000	60,000 小时
929002998402	MAS LEDtube 1200mm UO 14.7W 865 T8	G13 ROT	200,000	75,000 小时	929003481702	MASTER LEDtube Starter EMP GenIII	-	-	-
929002998502	MAS LEDtube 1500mm UO 21.7W 830 T8	G13 ROT	200,000	75,000 小时	929001922602	MAS LEDtube 1200mm HO 12.5W 830 T8	G13 ROT	200,000	75,000 小时
929002998602	MAS LEDtube 1500mm UO 21.7W 840 T8	G13 ROT	200,000	75,000 小时	929001922702	MAS LEDtube 1200mm HO 12.5W 840 T8	G13 ROT	200,000	75,000 小时
929002998702	MAS LEDtube 1500mm UO 21.7W 865 T8	G13 ROT	200,000	75,000 小时	929001922802	MAS LEDtube 1200mm HO 12.5W 865 T8	G13 ROT	200,000	75,000 小时
929003555808	MAS LEDtube STD 1200mm 10.5W840 T8	G13	200,000	60,000 小时	929001922902	MAS LEDtube 1500mm HO 18.2W 830 T8	G13 ROT	200,000	75,000 小时
929003555908	MAS LEDtube STD 1200mm 10.5W865 T8	G13	200,000	60,000 小时	929001923002	MAS LEDtube 1500mm HO 18.2W 840 T8	G13 ROT	200,000	75,000 小时
929003556008	MAS LEDtube 1200mm HO 14W830 T8	G13	200,000	60,000 小时	929001923102	MAS LEDtube 1500mm HO 18.2W 865 T8	G13 ROT	200,000	75,000 小时
929003556108	MAS LEDtube 1200mm HO 14W840 T8	G13	200,000	60,000 小时	929001961102	MAS LEDtube 1050mm 16W 840 T8	G13 ROT	200,000	75,000 小时

## 灯技术

Order Code	Full Product Name	光束角度 (标称)	相关色温 (标称)	显色指数 (CRI)	颜色代码	光通量
929001298402	MAS LEDtube 900mm HO 12W 840 T8	160°	4000 K	80	840	1,575 lm
929001298502	MAS LEDtube 900mm HO 12W 865 T8	160°	6500 K	80	865	1,575 lm
929002998202	MAS LEDtube 1200mm UO 14.7W 830 T8	160°	3000 K	80	830	2,300 lm
929002998302	MAS LEDtube 1200mm UO 14.7W 840 T8	160°	4000 K	80	840	2,500 lm
929002998402	MAS LEDtube 1200mm UO 14.7W 865 T8	160°	6500 K	80	865	2,500 lm
929002998502	MAS LEDtube 1500mm UO 21.7W 830 T8	160°	3000 K	80	830	3,400 lm
929002998602	MAS LEDtube 1500mm UO 21.7W 840 T8	160°	4000 K	80	840	3,700 lm
929002998702	MAS LEDtube 1500mm UO 21.7W 865 T8	160°	6500 K	80	865	3,700 lm
929003555808	MAS LEDtube STD 1200mm 10.5W840 T8	190°	4000 K	80	840	1,600 lm
929003555908	MAS LEDtube STD 1200mm 10.5W865 T8	190°	6500 K	80	865	1,600 lm
929003556008	MAS LEDtube 1200mm HO 14W830 T8	190°	3000 K	80	830	2,000 lm
929003556108	MAS LEDtube 1200mm HO 14W840 T8	190°	4000 K	80	840	2,100 lm
929003556208	MAS LEDtube 1200mm HO 14W865 T8	190°	6500 K	80	865	2,100 lm
929003557208	MAS LEDtube 600mm HO 8W830 T8	190°	3000 K	83	830	1,000 lm

# MASTER LEDtube GA 灯管

Order Code	Full Product Name	光束角度 (标称)	相关色温 (标称)	显色指数 (CRI)	颜色代码	光通量
929003557308	MAS LEDtube 600mm HO 8W840 T8	190°	4000 K	83	840	1,050 lm
929003557408	MAS LEDtube 600mm HO 8W865 T8	190°	6500 K	83	865	1,050 lm
929003481702	MASTER LEDtube Starter EMP GenIII	-	-	-	-	-
929001922602	MAS LEDtube 1200mm HO 12.5W 830 T8	160°	3000 K	80	830	2,000 lm
929001922702	MAS LEDtube 1200mm HO 12.5W 840 T8	160°	4000 K	80	840	2,100 lm
929001922802	MAS LEDtube 1200mm HO 12.5W 865 T8	160°	6500 K	80	865	2,100 lm
929001922902	MAS LEDtube 1500mm HO 18.2W 830 T8	160°	3000 K	80	830	2,900 lm
929001923002	MAS LEDtube 1500mm HO 18.2W 840 T8	160°	4000 K	80	840	3,100 lm
929001923102	MAS LEDtube 1500mm HO 18.2W 865 T8	160°	6500 K	80	865	3,100 lm
929001961102	MAS LEDtube 1050mm 16W 840 T8	160°	4000 K	80	840	2,500 lm

## 操作和电气

Order Code	Full Product Name	输入频率	线频率	功耗	启动时间 (标称)	Order Code	Full Product Name	输入频率	线频率	功耗	启动时间 (标称)
929001298402	MAS LEDtube 900mm HO 12W 840 T8	50 至 60 Hz	50 to 60 Hz	12 W	0.5 s	929003556208	MAS LEDtube 1200mm HO 14W865 T8	50 至 60 Hz	50 to 60 Hz	14 W	0.5 s
929001298502	MAS LEDtube 900mm HO 12W 865 T8	50 至 60 Hz	50 to 60 Hz	12 W	0.5 s	929003557208	MAS LEDtube 600mm HO 8W830 T8	50 至 60 Hz	50 to 60 Hz	8 W	0.5 s
929002998202	MAS LEDtube 1200mm UO 14.7W 830 T8	50 至 60 Hz	50 to 60 Hz	14.7 W	0.5 s	929003557308	MAS LEDtube 600mm HO 8W840 T8	50 至 60 Hz	50 to 60 Hz	8 W	0.5 s
929002998302	MAS LEDtube 1200mm UO 14.7W 840 T8	50 至 60 Hz	50 to 60 Hz	14.7 W	0.5 s	929003557408	MAS LEDtube 600mm HO 8W865 T8	50 至 60 Hz	50 to 60 Hz	8 W	0.5 s
929002998402	MAS LEDtube 1200mm UO 14.7W 865 T8	50 至 60 Hz	50 to 60 Hz	14.7 W	0.5 s	929003481702	MASTER LEDtube Starter EMP GenIII	- Hz	- Hz	-	-
929002998502	MAS LEDtube 1500mm UO 21.7W 830 T8	50 至 60 Hz	50 to 60 Hz	21.7 W	0.5 s	929001922602	MAS LEDtube 1200mm HO 12.5W 830 T8	50 至 60 Hz	50 to 60 Hz	12.5 W	0.5 s
929002998602	MAS LEDtube 1500mm UO 21.7W 840 T8	50 至 60 Hz	50 to 60 Hz	21.7 W	0.5 s	929001922702	MAS LEDtube 1200mm HO 12.5W 840 T8	50 至 60 Hz	50 to 60 Hz	12.5 W	0.5 s
929002998702	MAS LEDtube 1500mm UO 21.7W 865 T8	50 至 60 Hz	50 to 60 Hz	21.7 W	0.5 s	929001922802	MAS LEDtube 1200mm HO 12.5W 865 T8	50 至 60 Hz	50 to 60 Hz	12.5 W	0.5 s
929003555808	MAS LEDtube STD 1200mm 10.5W840 T8	50 至 60 Hz	50 to 60 Hz	10.5 W	0.5 s	929001922902	MAS LEDtube 1500mm HO 18.2W 830 T8	50 至 60 Hz	50 to 60 Hz	18.2 W	0.5 s
929003555908	MAS LEDtube STD 1200mm 10.5W865 T8	50 至 60 Hz	50 to 60 Hz	10.5 W	0.5 s	929001923002	MAS LEDtube 1500mm HO 18.2W 840 T8	50 至 60 Hz	50 to 60 Hz	18.2 W	0.5 s
929003556008	MAS LEDtube 1200mm HO 14W830 T8	50 至 60 Hz	50 to 60 Hz	14 W	0.5 s	929001923102	MAS LEDtube 1500mm HO 18.2W 865 T8	50 至 60 Hz	50 to 60 Hz	18.2 W	0.5 s
929003556108	MAS LEDtube 1200mm HO 14W840 T8	50 至 60 Hz	50 to 60 Hz	14 W	0.5 s	929001961102	MAS LEDtube 1050mm 16W 840 T8	50 至 60 Hz	50 to 60 Hz	16 W	0.5 s

## 温度

Order Code	Full Product Name	环境温度范围 (标称)	最大外壳温度	Order Code	Full Product Name	环境温度范围 (标称)	最大外壳温度
929001298402	MAS LEDtube 900mm HO 12W 840 T8	-20 °C 至 45 °C	50 °C	929002998402	MAS LEDtube 1200mm UO 14.7W 865 T8	-20 °C 至 45 °C	55 °C
929001298502	MAS LEDtube 900mm HO 12W 865 T8	-20 °C 至 45 °C	50 °C	929002998502	MAS LEDtube 1500mm UO 21.7W 830 T8	-20 °C 至 45 °C	60 °C
929002998202	MAS LEDtube 1200mm UO 14.7W 830 T8	-20 °C 至 45 °C	55 °C	929002998602	MAS LEDtube 1500mm UO 21.7W 840 T8	-20 °C 至 45 °C	60 °C
929002998302	MAS LEDtube 1200mm UO 14.7W 840 T8	-20 °C 至 45 °C	55 °C				

# MASTER LEDtube GA 灯管

Order Code	Full Product Name	环境温度范围 (标称)	最大外壳温度
929002998702	MAS LEDtube 1500mm UO 21.7W 865 T8	-20 °C 至 45 °C	60 °C
929003555808	MAS LEDtube STD 1200mm 10.5W840 T8	-20 °C 至 45 °C	50 °C
929003555908	MAS LEDtube STD 1200mm 10.5W865 T8	-20 °C 至 45 °C	50 °C
929003556008	MAS LEDtube 1200mm HO 14W830 T8	-20 °C 至 45 °C	50 °C
929003556108	MAS LEDtube 1200mm HO 14W840 T8	-20 °C 至 45 °C	50 °C
929003556208	MAS LEDtube 1200mm HO 14W865 T8	-20 °C 至 45 °C	50 °C
929003557208	MAS LEDtube 600mm HO 8W830 T8	-20 °C 至 45 °C	50 °C
929003557308	MAS LEDtube 600mm HO 8W840 T8	-20 °C 至 45 °C	50 °C
929003557408	MAS LEDtube 600mm HO 8W865 T8	-20 °C 至 45 °C	50 °C
929003481702	MASTER LEDtube Starter EMP GenIII	-	-

Order Code	Full Product Name	环境温度范围 (标称)	最大外壳温度
929001922602	MAS LEDtube 1200mm HO 12.5W 830 T8	-20 °C 至 45 °C	50 °C
929001922702	MAS LEDtube 1200mm HO 12.5W 840 T8	-20 °C 至 45 °C	50 °C
929001922802	MAS LEDtube 1200mm HO 12.5W 865 T8	-20 °C 至 45 °C	50 °C
929001922902	MAS LEDtube 1500mm HO 18.2W 830 T8	-20 °C 至 45 °C	55 °C
929001923002	MAS LEDtube 1500mm HO 18.2W 840 T8	-20 °C 至 45 °C	55 °C
929001923102	MAS LEDtube 1500mm HO 18.2W 865 T8	-20 °C 至 45 °C	55 °C
929001961102	MAS LEDtube 1050mm 16W 840 T8	-20 °C 至 45 °C	55 °C

## 机械和外壳

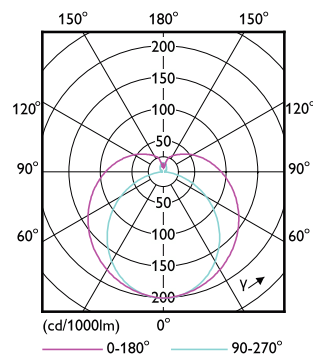
Order Code	Full Product Name	灯泡外观	灯泡外形
929001298402	MAS LEDtube 900mm HO 12W 840 T8	磨砂	T8
929001298502	MAS LEDtube 900mm HO 12W 865 T8	磨砂	T8
929002998202	MAS LEDtube 1200mm UO 14.7W 830 T8	磨砂	T8
929002998302	MAS LEDtube 1200mm UO 14.7W 840 T8	磨砂	T8
929002998402	MAS LEDtube 1200mm UO 14.7W 865 T8	磨砂	T8
929002998502	MAS LEDtube 1500mm UO 21.7W 830 T8	磨砂	T8
929002998602	MAS LEDtube 1500mm UO 21.7W 840 T8	磨砂	T8
929002998702	MAS LEDtube 1500mm UO 21.7W 865 T8	磨砂	T8
929003555808	MAS LEDtube STD 1200mm 10.5W840 T8	磨砂	T8
929003555908	MAS LEDtube STD 1200mm 10.5W865 T8	磨砂	T8
929003556008	MAS LEDtube 1200mm HO 14W830 T8	磨砂	T8
929003556108	MAS LEDtube 1200mm HO 14W840 T8	磨砂	T8

Order Code	Full Product Name	灯泡外观	灯泡外形
929003556208	MAS LEDtube 1200mm HO 14W865 T8	磨砂	T8
929003557208	MAS LEDtube 600mm HO 8W830 T8	磨砂	T8
929003557308	MAS LEDtube 600mm HO 8W840 T8	磨砂	T8
929003557408	MAS LEDtube 600mm HO 8W865 T8	磨砂	T8
929003481702	MASTER LEDtube Starter EMP GenIII	-	-
929001922602	MAS LEDtube 1200mm HO 12.5W 830 T8	磨砂	T8
929001922702	MAS LEDtube 1200mm HO 12.5W 840 T8	磨砂	T8
929001922802	MAS LEDtube 1200mm HO 12.5W 865 T8	磨砂	T8
929001922902	MAS LEDtube 1500mm HO 18.2W 830 T8	磨砂	T8
929001923002	MAS LEDtube 1500mm HO 18.2W 840 T8	磨砂	T8
929001923102	MAS LEDtube 1500mm HO 18.2W 865 T8	磨砂	T8
929001961102	MAS LEDtube 1050mm 16W 840 T8	磨砂	T8

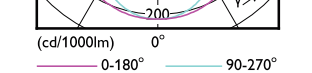
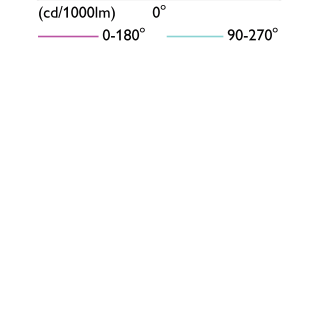
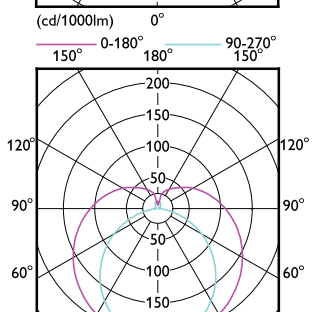
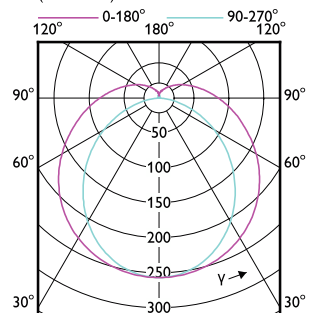
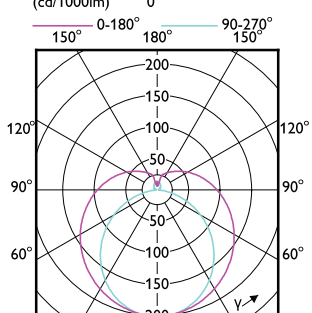
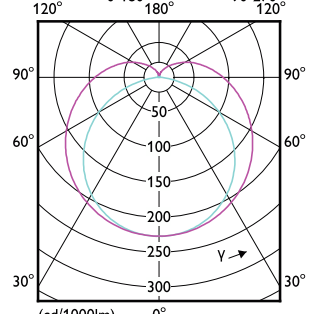
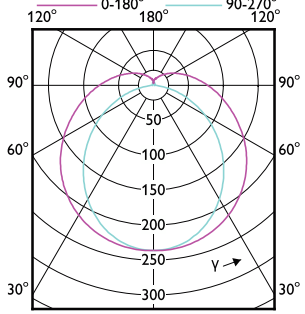
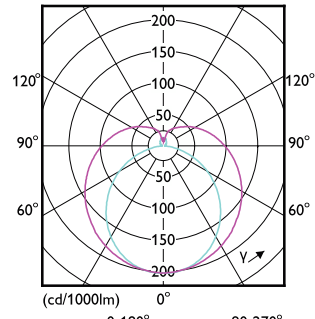
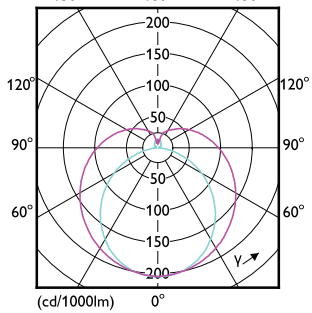
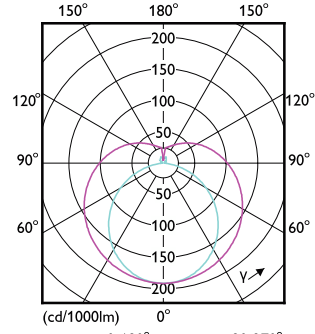
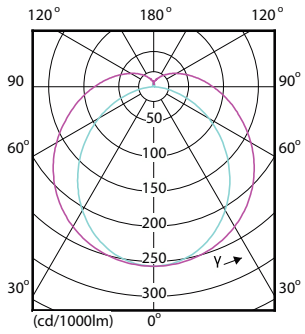
## 审批和申请

Order Code	Full Product Name	能耗 kWh/1000 h
929001298402	MAS LEDtube 900mm HO 12W 840 T8	12 kWh
929001298502	MAS LEDtube 900mm HO 12W 865 T8	12 kWh
929002998202	MAS LEDtube 1200mm UO 14.7W 830 T8	15 kWh
929002998302	MAS LEDtube 1200mm UO 14.7W 840 T8	15 kWh
929002998402	MAS LEDtube 1200mm UO 14.7W 865 T8	15 kWh
929002998502	MAS LEDtube 1500mm UO 21.7W 830 T8	22 kWh
929002998602	MAS LEDtube 1500mm UO 21.7W 840 T8	22 kWh
929002998702	MAS LEDtube 1500mm UO 21.7W 865 T8	22 kWh
929003555808	MAS LEDtube STD 1200mm 10.5W840 T8	-
929003555908	MAS LEDtube STD 1200mm 10.5W865 T8	-
929003556008	MAS LEDtube 1200mm HO 14W830 T8	-
929003556108	MAS LEDtube 1200mm HO 14W840 T8	-
929003556208	MAS LEDtube 1200mm HO 14W865 T8	-
929003557208	MAS LEDtube 600mm HO 8W830 T8	-
929003557308	MAS LEDtube 600mm HO 8W840 T8	-
929003557408	MAS LEDtube 600mm HO 8W865 T8	-
929003481702	MASTER LEDtube Starter EMP GenIII	- kWh

Order Code	Full Product Name	能耗 kWh/1000 h
929001922602	MAS LEDtube 1200mm HO 12.5W 830 T8	13 kWh
929001922702	MAS LEDtube 1200mm HO 12.5W 840 T8	13 kWh
929001922802	MAS LEDtube 1200mm HO 12.5W 865 T8	13 kWh
929001922902	MAS LEDtube 1500mm HO 18.2W 830 T8	19 kWh
929001923002	MAS LEDtube 1500mm HO 18.2W 840 T8	19 kWh
929001923102	MAS LEDtube 1500mm HO 18.2W 865 T8	19 kWh
929001961102	MAS LEDtube 1050mm 16W 840 T8	16 kWh



# MASTER LEDtube GA 灯管



## MASTER LEDtube GA 灯管

