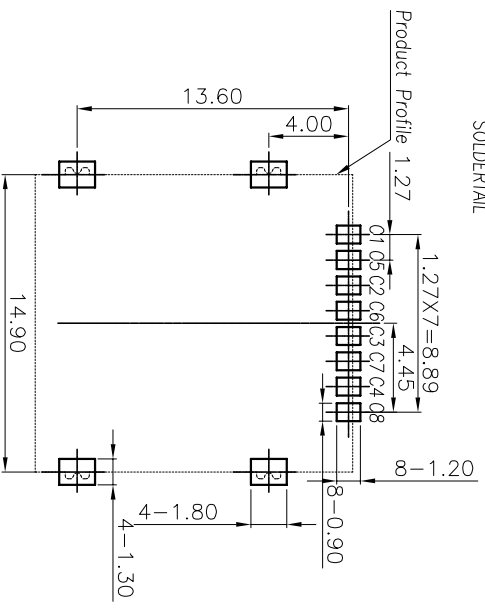
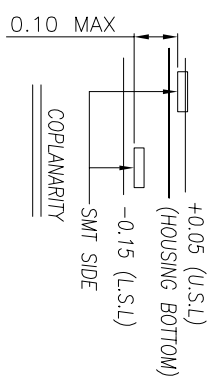
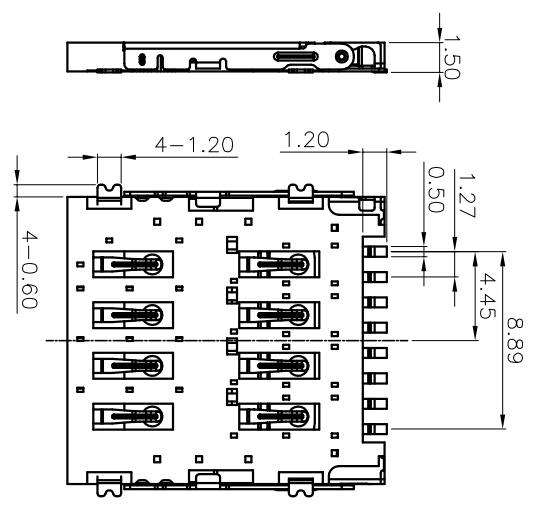
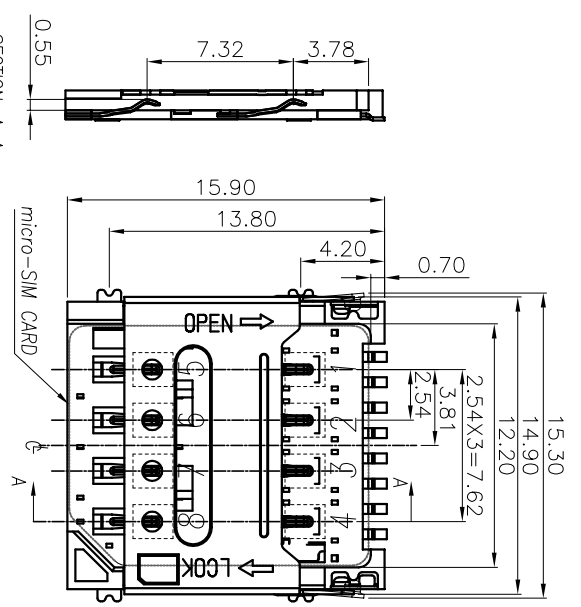


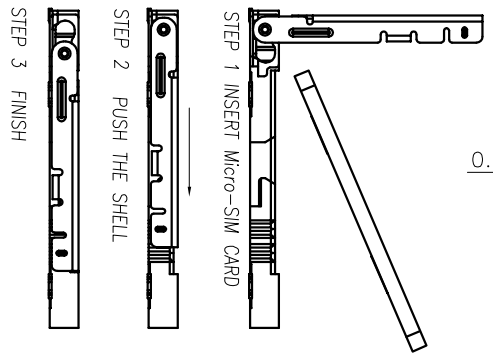
REV.	ECN NO. OR DESCRIPTION	REVISED	DATE
	PROPOSE ONLY	ALLEN	2013.05.04

- NOTES:
- ELECTRICAL CHARACTERISTICS
 - CONTACT RESISTANCE: 60 Milliohms Max
 - INSULATION RESISTANCE: 1,000 Megohms Min.
 - DIELECTRIC WITHSTANDING VOLTAGE: 500V AC
 - MECHANICAL CHARACTERISTICS
 - OPERATION TEMPERATURE RANGE: -25°C~+70°C
 - DURABILITY: 5000 CYCLES
 - MATERIAL:
 - HOUSING: THERMOPLASTIC, UL 94-V0
 - TERMINAL: PHOSPHOR BRONZE, T=0.15
 - SHELL: STAINLESS STEEL, T=0.15
 - FINISHED:
 - TERMINAL: NI PLATED UNDER Au PLATED ON CONTACT AREA, G/F PLATED ON SOLDER TAIL
 - SHELL: NI PLATED UNDER G/F PLATED ON SOLDER TAIL



RECOMMENDED PCB LAYOUT
GENERAL TOLERANCE ±0.05

Pin No.	NAME
C1	VCC
C2	RST
C3	CLK
C4	RESERVED
C5	GND
C6	VPP
C7	I/O
C8	RESERVED



NO.	PART NAME	Q'TY	DESCRIPTION	NOTE
①	SHELL	1	SUS304-H,T=0.12	AU/NI PLATING
②	BASE INSULATOR	1	LCP+GF30%	BLACK
③	TERMINAL	8	C5210-EH,T=0.12	Au 5u" PLATING

UNLESS OTHERWISE SPECIFIED TOLERANCES

SOFNG 东莞市硕方电子科技有限公司

DECIMALS:	ANGLES:	TITLE	8Pin 1.5H HINGE Micro SIM CARD CONN.
X : ±0.5	X : ±2'	DWN	ALLEN
X.X : ±0.20	X.X : ±1'	CHKD	KEVIN
X.XX : ±0.10		APVD	ERIC.W