



LED FLASH	
M18109A	

### 来电显示控制 IC

#### FEATURES 功能叙述

- Built-in oscillator.
- Motor: motor output pin.
- Power-ON blinking.
- LED: 2 Hz 1/10 duty sequence.

P/N	Fosc	Power-ON blinking	ON Line blinking
-1	200 KHz	2.5 sec	7 sec
-2	100 KHz	5 sec	16 sec

#### APPLICATION 产品应用

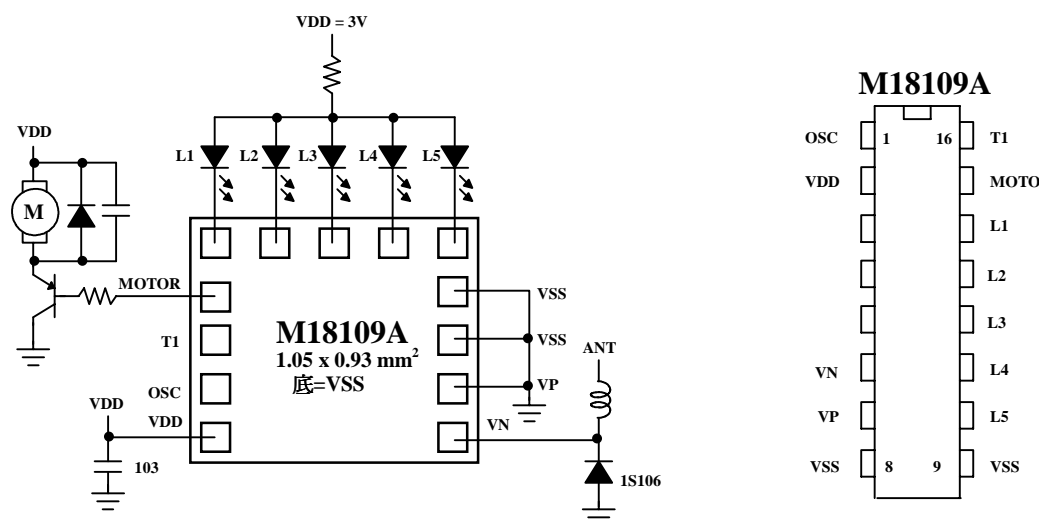
- Key chain, Mobile phone, Toys.

#### ELECTRICAL CHARACTERISTICS 电气规格

( @V<sub>DD</sub>=3V unless otherwise specified )

Characteristics	Sym.	Min.	Typ.	Max.	Unit	REMARKS
工作电压 Operating Voltage	V <sub>DD</sub>	—	3	4.5	V	
工作电流 Operating Current	I <sub>OP</sub>	—	0.1	0.5	mA	No load
静态电流 Quiescent Current	I <sub>SB</sub>	—	1	5	μA	
推动电流 Driving Current	I <sub>OL</sub>	20	—	—	mA	@ V <sub>DS</sub> =1.2V
振荡频率 Oscillator Frequency	F <sub>OSC</sub>	—	100	—	KHz	±30% TOL.
工作温度 Operating Temperature	Temp.	0	25	60	°C	

#### APPLICATION DIAGRAM 参考电路图

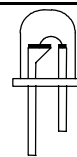


\*All specs and applications shown above subject to change without prior notice.  
( 以上电路及规格仅供参考,本公司得径行修正 )



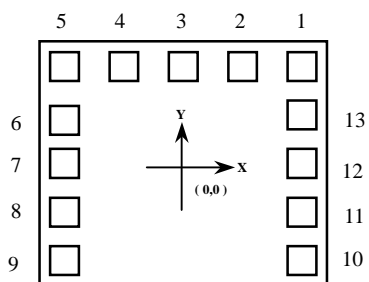
LED FLASH

M18109A



来电显示控制 IC

**PAD ASSIGNMENT&POSITION**



Unit : um

NO	NAME	X	Y
1	L5	357.5	301
2	L4	187.5	301
3	L3	7.5	301
4	L2	-172.5	301
5	L1	-357.7	301
6	MOTO	-357.7	138.2
7	T1	-353.2	4.5
8	OSC	-357.7	-147.8
9	VDD	-357.7	-302.8
10	VN	357.5	-324.3
11	VP	357.5	-164
12	VSS	357.5	-9
13	VSS	357.5	146

\* CHIP SIZE ~ 1.05 x 0.93 mm<sup>2</sup>

\* IC substrate should be connected to VSS in PCB (PCB 上 IC 必须接 VSS)

( 以上电路及规格仅供参考,本公司得径行修正 )