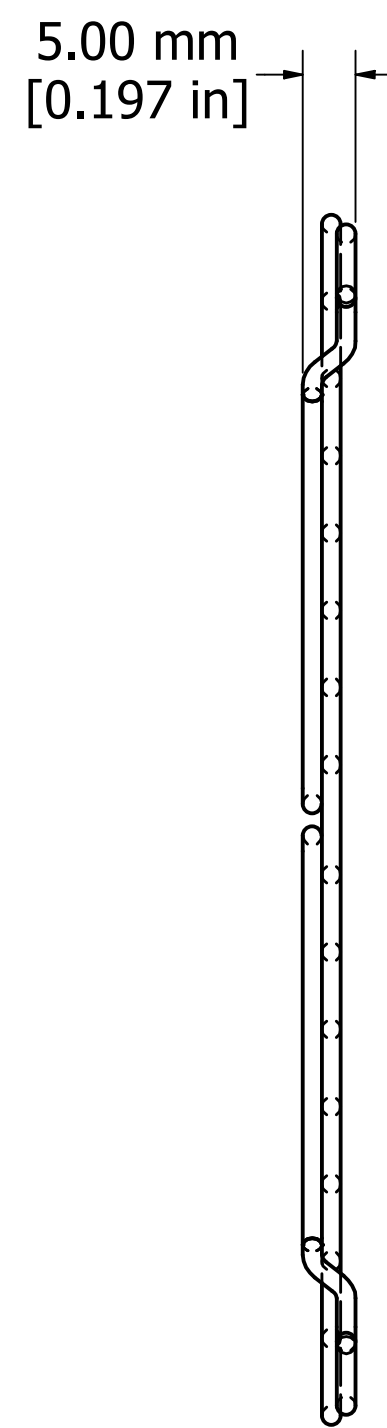
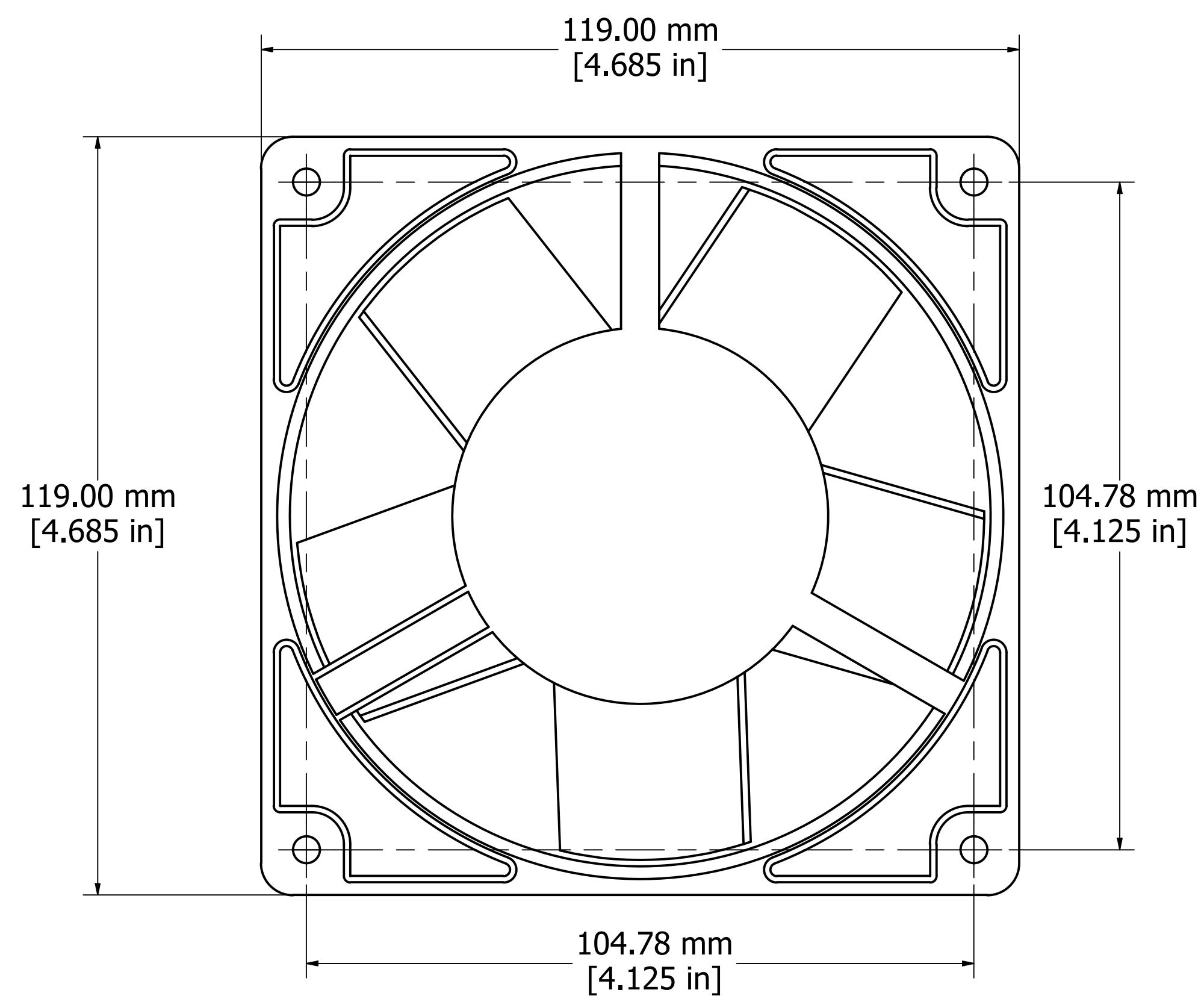


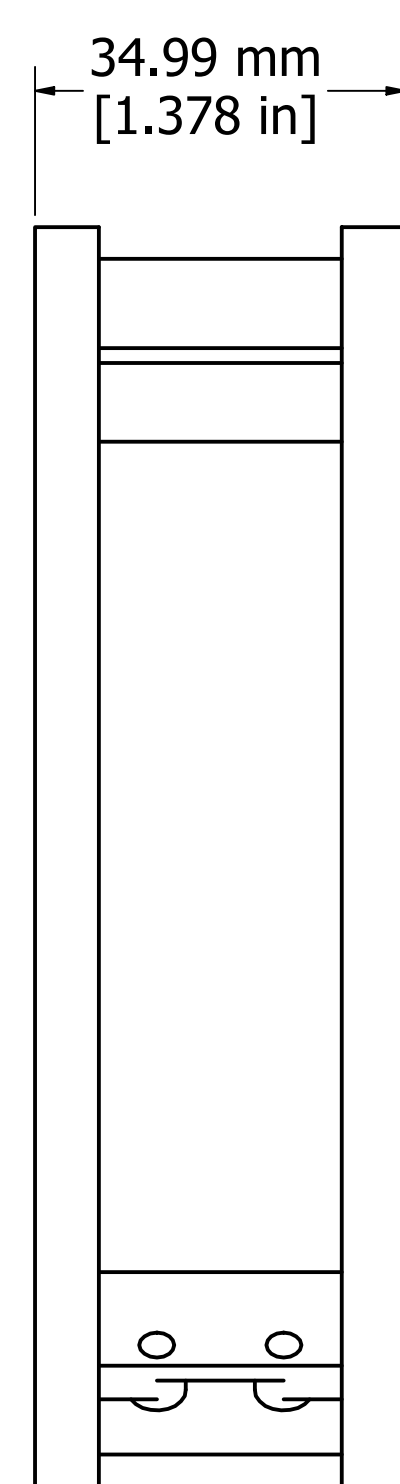
FAN GUARD TOP VIEW (2X)



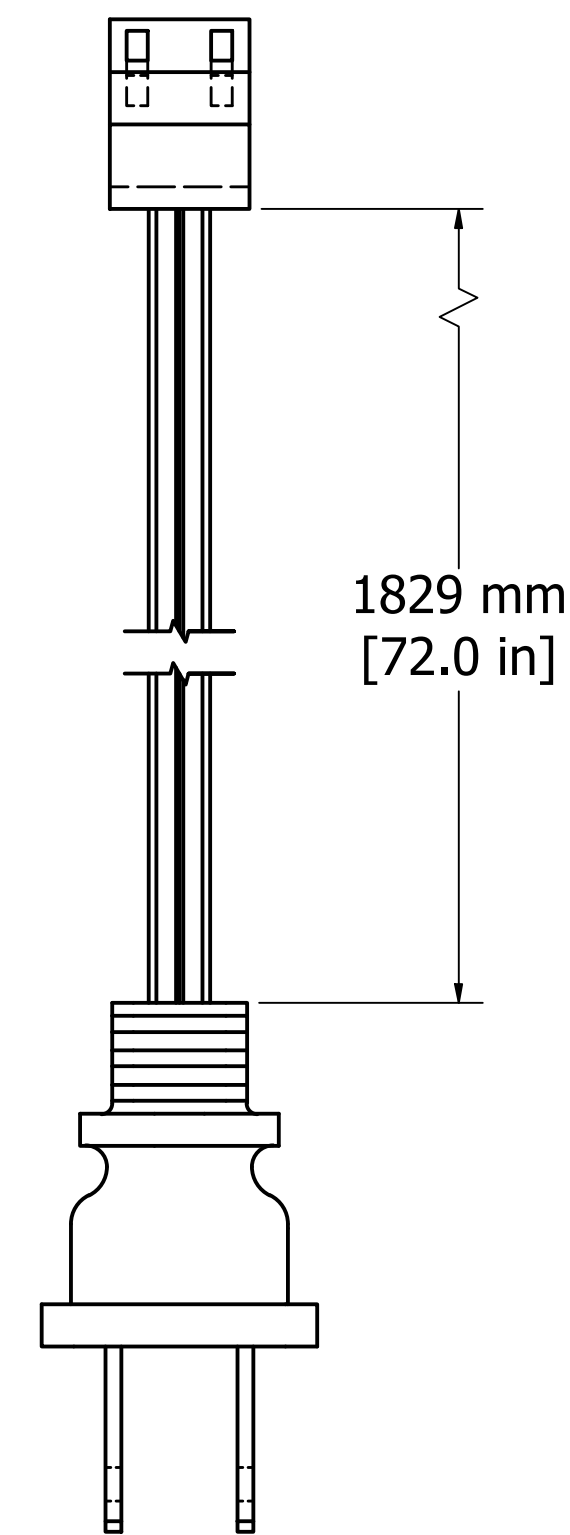
FAN GUARD SIDE VIEW



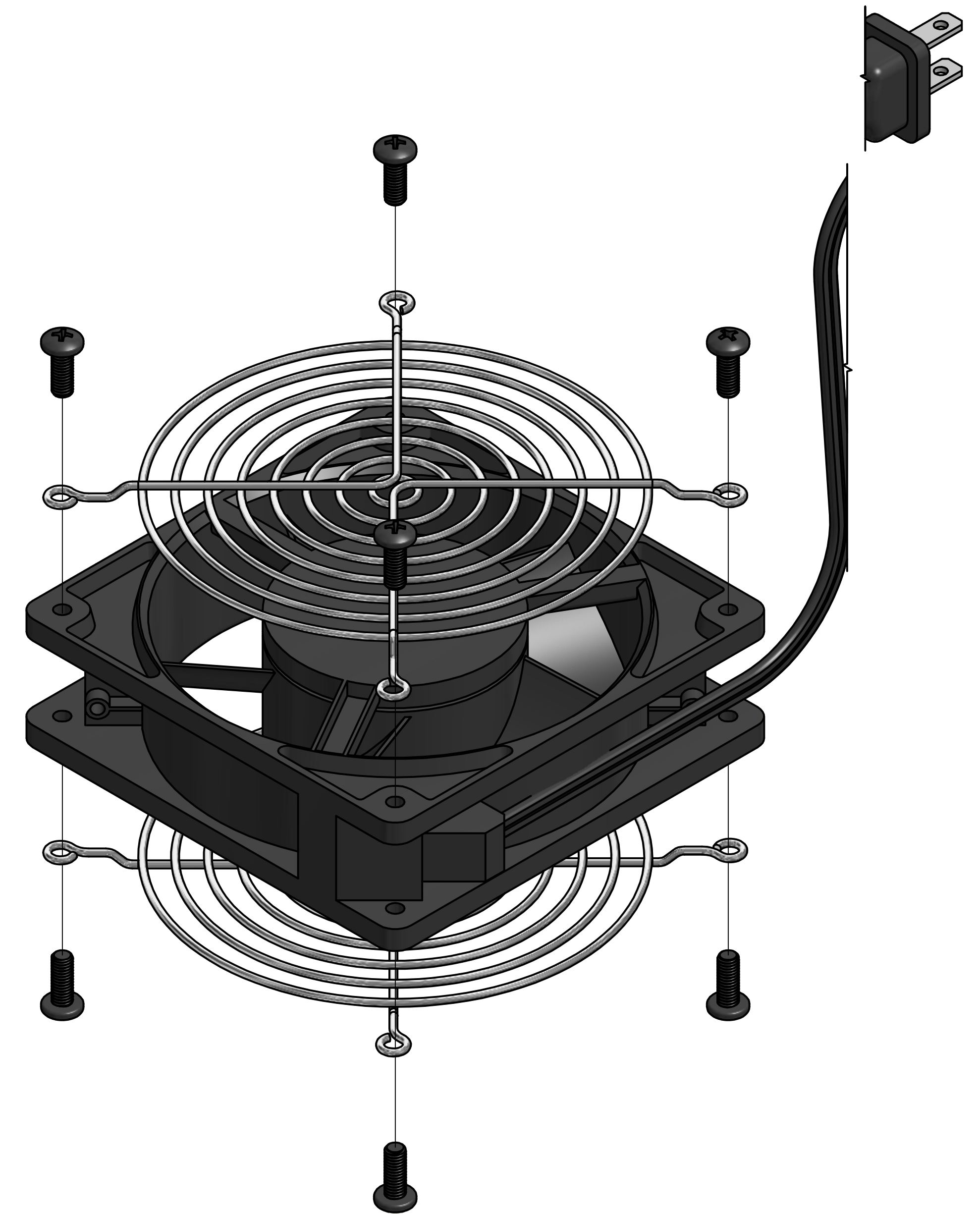
FAN TOP VIEW (1X)



FAN SIDE VIEW



NEMA 1-15P 72" CORD (1X)



EXPLODED ASSEMBLY VIEW

DNFK1AC120
Guard Material/Finish - Chrome Plated Steel
Fan Rating - 115 VAC, 50/60 Hz, 0.19 Amps, 100 CFM
Hardware
8 Screws - #10-32 x 1/2" Panhead



**HAMMOND
MANUFACTURING™**

DNFK1AC120

www.hammondmfg.com