

Class J Fuse Blocks

600 Volt



SPECIFICATIONS

Voltage Ratings: 600 Volts

Ampere Ratings: 0 – 600 amperes

Approvals: UL Listed: File No. E14721
CSA Certified: File No. LR73091

RECOMMENDED FUSES

JTD_ID/JTD (time-delay) and JLS (fast-acting) series fuses

For use with space-saving, high interrupting capacity, very current-limiting 600 volt Class J fuses.

Class J 600V

Amp Rating	No. of Poles	Catalog Number	Connector Type (Add suffix shown)			Maximum Wire Size
			Screw	Pressure Plate	Box Lug	
30	1	LJ60030-1	S (R)	P (R)	C (R)	S & P = #10 CU C = #6 CU
	2	LJ60030-2	S (R)	P (R)	C (R)	
	3	LJ60030-3	S (R)	P (R)	C (R)	
	Adder	LJ60030-A	S (R)	P (R)	C (R)	
60	1	LJ60060-1			C (R)	C = #2 CU-AL
	2	LJ60060-2			C (R)	
	3	LJ60060-3			C (R)	
100	1	LJ60100-1			CR	#2/0 CU-AL
	3	LJ60100-3			CR	
200	1	LJ60200-1			C	250 MCM CU-AL
	3	LJ60200-3			C	
400	1	LJ60400-1			CR	350 MCM CU-AL
	3	LJ60400-3			CR	
600	1	LJ60600-1			CR	(2) 500 MCM CU-AL
	3	LJ60600-3			CR	

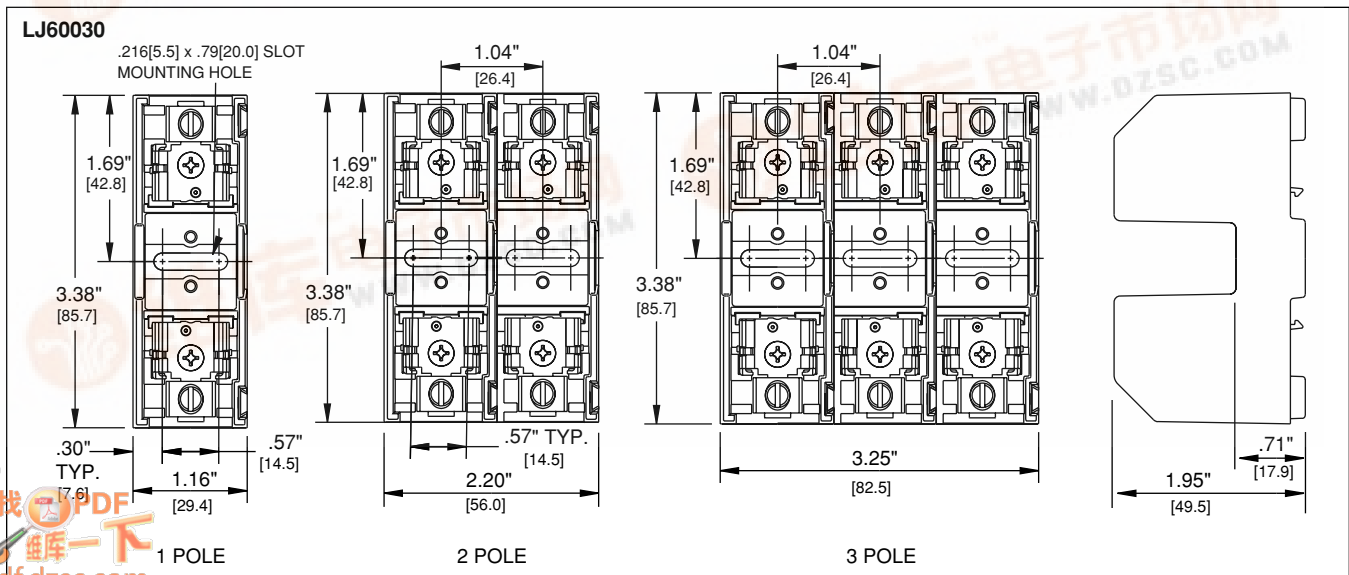
FEATURES/BENEFITS

- Phenolic blocks have side barriers for isolation.
- Spring reinforced fuse clips are standard on 100A and larger blocks. Reinforcing springs are optional on 30 and 60 amp blocks.
- **Space saving 30A design** — Up to 45% smaller than existing 30A fuse blocks. 30A interlocking adder block available to create any number of poles (consult factory for availability). Integral DIN rail mount allows this block to be securely fastened to 35 mm “hat” type DIN rails without the use of tools.

Note: Reinforcing springs standard on all Class J fuse blocks rated 100A and above.

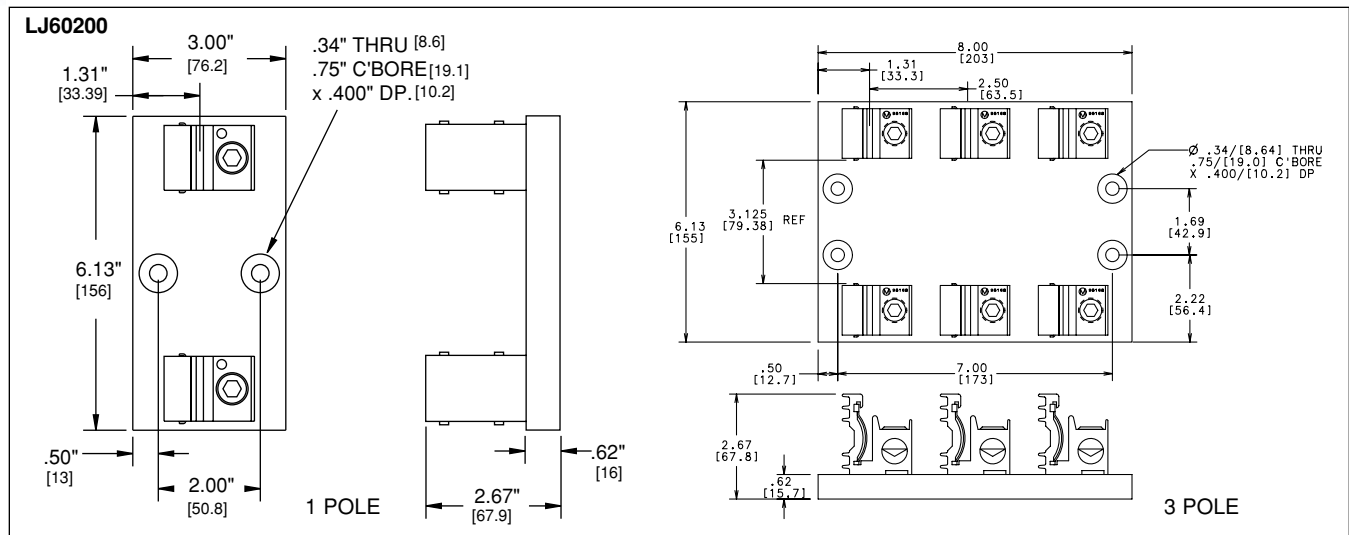
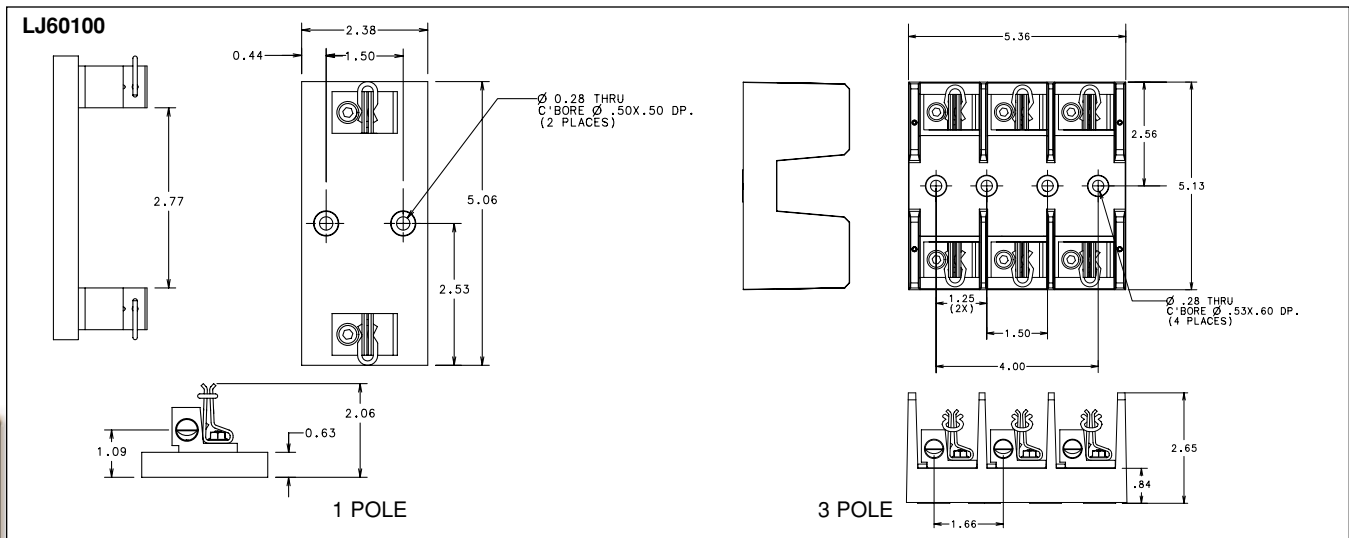
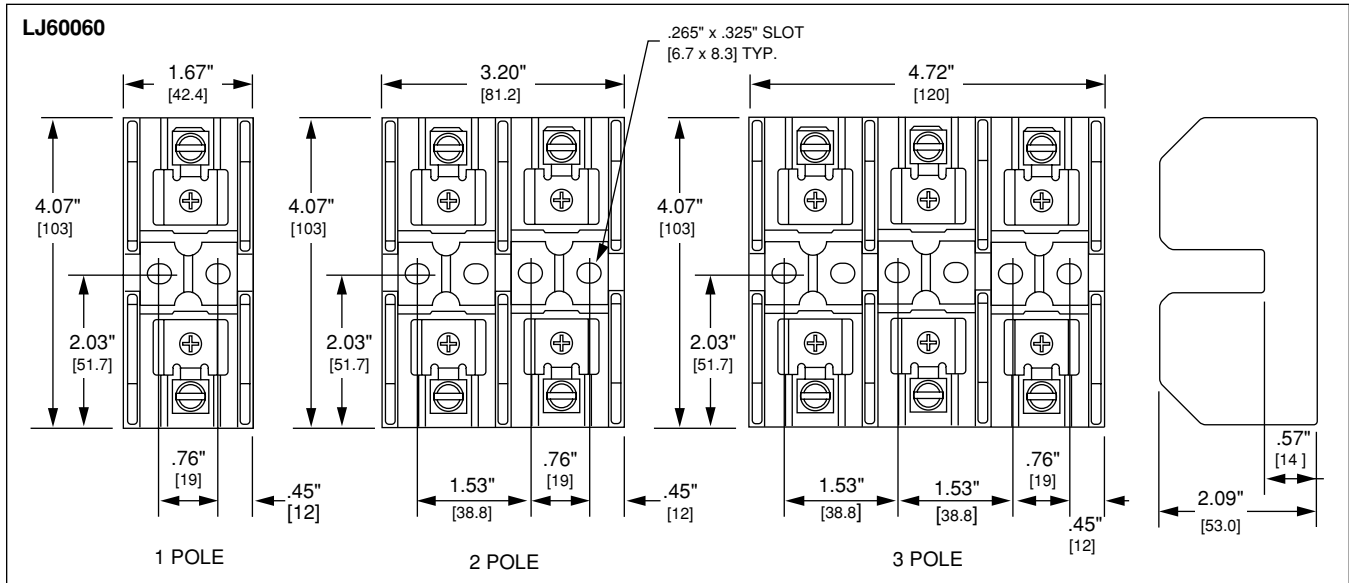
*For optional fuse block covers, refer to Blocks and Holders section.

Blocks And Holders



Class J Fuse Blocks

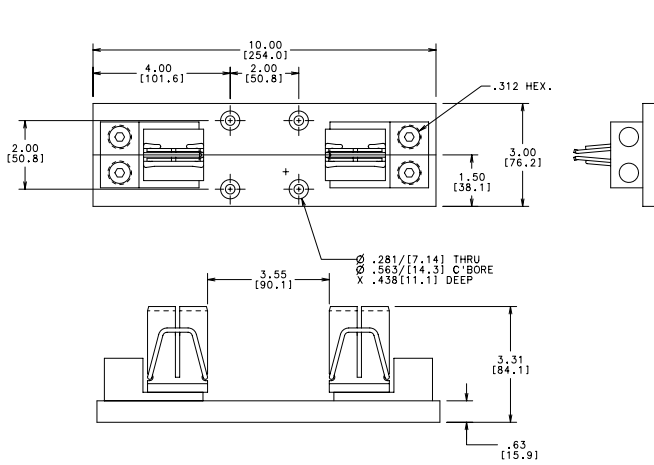
600 Volt



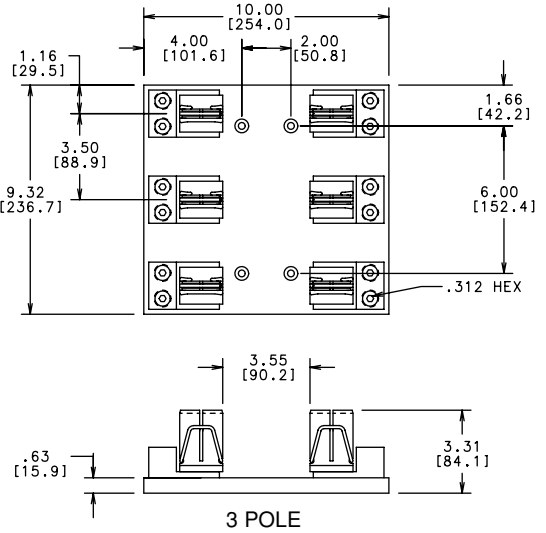
Class J Fuse Blocks

600 Volt

LJ60400

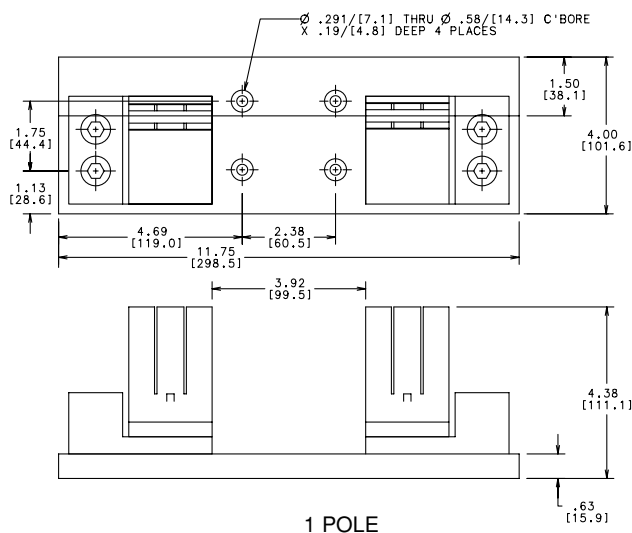


1 POLE

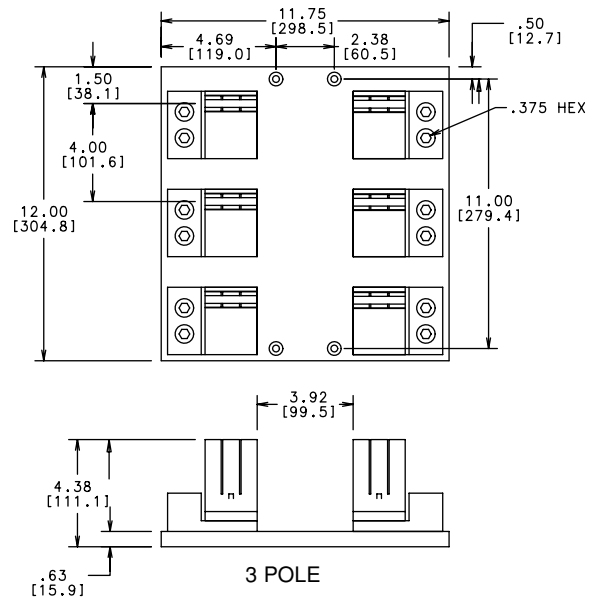


3 POLE

LJ60600



1 POLE



3 POLE

Blocks
And
Holders

